

SITE BENCHMARK #6
 FOUND NAIL & DISK
 MARKED "TRAV PT LB
 6846"
 ELEVATION: 61.03'
 NORTHING: 1654448.60
 EASTING: 430470.39

SITE BENCHMARK #2009
 SET 1/2" IRON ROD
 WITH RED CAP
 "CONTROL POINT"
 ELEVATION: 61.65'
 NORTHING: 1654342.28
 EASTING: 430418.31

SITE BENCHMARK #2007
 SET 1/2" IRON ROD
 WITH RED CAP
 "CONTROL POINT"
 ELEVATION: 60.78'
 NORTHING: 1654148.88
 EASTING: 430354.30

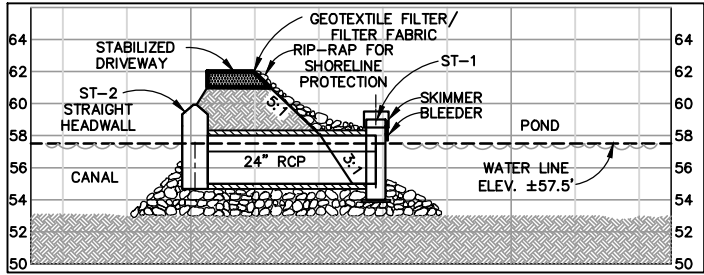
SITE BENCHMARK #2005
 SET 1/2" IRON ROD
 WITH RED CAP
 "CONTROL POINT"
 ELEVATION: 61.02'
 NORTHING: 1653939.95
 EASTING: 430354.30



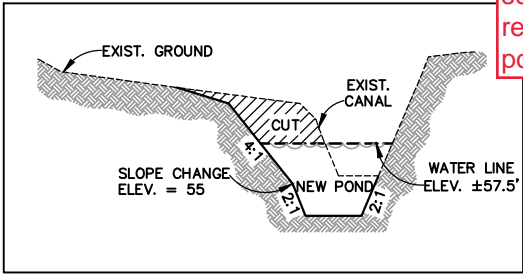
ST-2
 STRAIGHT HEADWALL
 INVERT 55.0
 FDOT INDEX #250

ST-1
 CONTROL STRUCTURE
 REMOVE EXISTING 36" CMP
 CONSTRUCT NEW 24" RCP
 WITH MODIFIED FDOT TYPE D
 NW INVERT 55.0
 FDOT INDEX #232

SECTION A-A

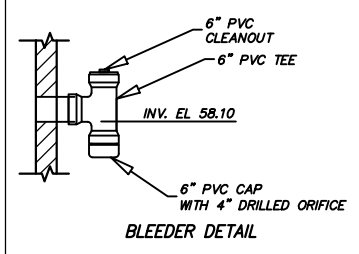
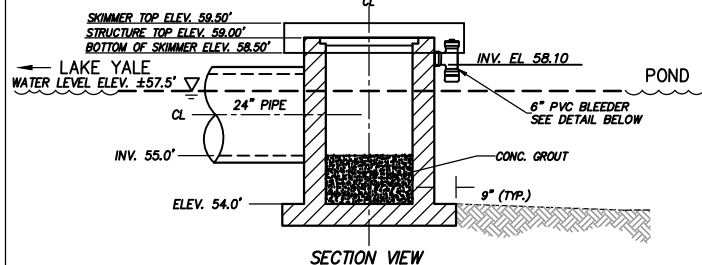
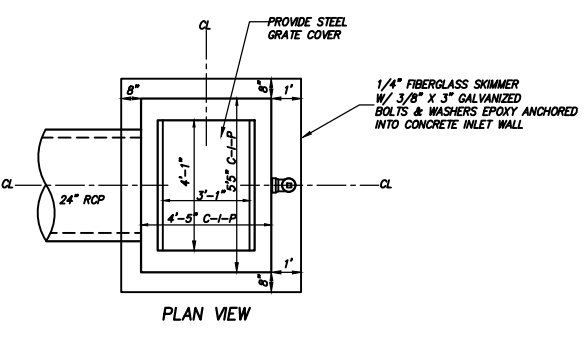


SECTION B-B



2nd submerged aerator sufficient hose length to reach middle of linear pond

ST-1 CONTROL STRUCTURE MODIFIED FDOT TYPE D INLET DETAILS



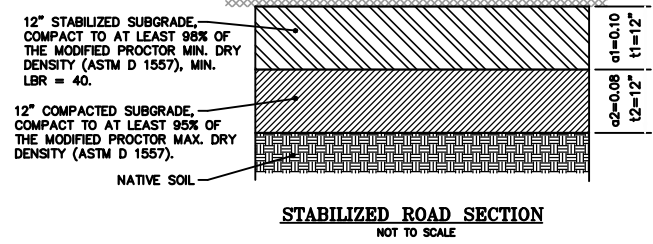
- NOTE:**
- MATERIALS AND CONSTRUCTION OF DRAINAGE CONTROL STRUCTURE SHALL BE IN CONFORMANCE WITH F.D.O.T. "DESIGN STANDARDS FOR DESIGN, CONSTRUCTION, MAINTENANCE AND UTILITY OPERATIONS OF THE STATE HIGHWAY SYSTEM", LATEST EDITION.
 - SHOP DRAWINGS SHALL BE SUBMITTED TO THE ENGINEER FOR REVIEW PRIOR TO FABRICATION OF STRUCTURES.

NOT TO SCALE

NOT TO SCALE



AERIAL PHOTO MAP
 1" = 300'



EXISTING POWER POLE TO BE RELOCATED CONTRACTOR TO COORDINATE WITH DUKE ENERGY
 JULIO A. TARDAGUILA, EI
 WINTER GARDEN DISTRIBUTION OPS
 452 EAST CROWN POINT ROAD
 WINTER GARDEN, FLORIDA 34787
 OFFICE: 407-905-3345
 JULIO.TARDAGUILA@DUKE-ENERGY.COM

Fish Barrier across ditch per FWC specs

Approximate location post mounted solar aerator- Pump and Panels on pole. Sufficient height to prevent theft/ vandalism. Adjust location as needed for maximum sun exposure.

DATE	
DESIGNED BY	
DRAWN BY	
CHECKED BY	
JOB NO.	
FILE NAME	

Florida
 Fish Park
 Improvements
 Site Plan



BEST ENGINEERS & SURVEYORS • LAND PLANNERS
 902 North Sinclair Ave.
 Tallahassee, Florida 32378
 www.bestmh.com
 Office: 352.343.8481
 Fax: 352.343.8495
 Certificate of Authorization Number: 27029

DATE:	April 10, 2020
DESIGNED BY:	BJT
DRAWN BY:	TNJ
CHECKED BY:	BJT
JOB NO.:	10002.0009
FILE NAME:	Lake Yale Marsh

Sheet 3
 BRETT J. TOBIAS, PE
 Registered Eng 69017