

THE INFORMATION CONTAINED IN THIS DRAWING IS THE SOLE PROPERTY OF GATOR DOCK & MARINE, LLC. ANY REPRODUCTION IN PART OR AS A WHOLE WITHOUT THE WRITTEN PERMISSION OF GATOR DOCK & MARINE, LLC IS PROHIBITED.

**RECORD OF REVISIONS**

No.	DATE	DESCRIPTION:
0	--/--/--	--
1	--/--/--	--
2	--/--/--	--

PROJECT NAME:  
---

CUSTOMER NAME:  
---

CUSTOMER ADDRESS:  
---

PROJECT LOCATION:  
---

CMI ORDER NO.:  
---

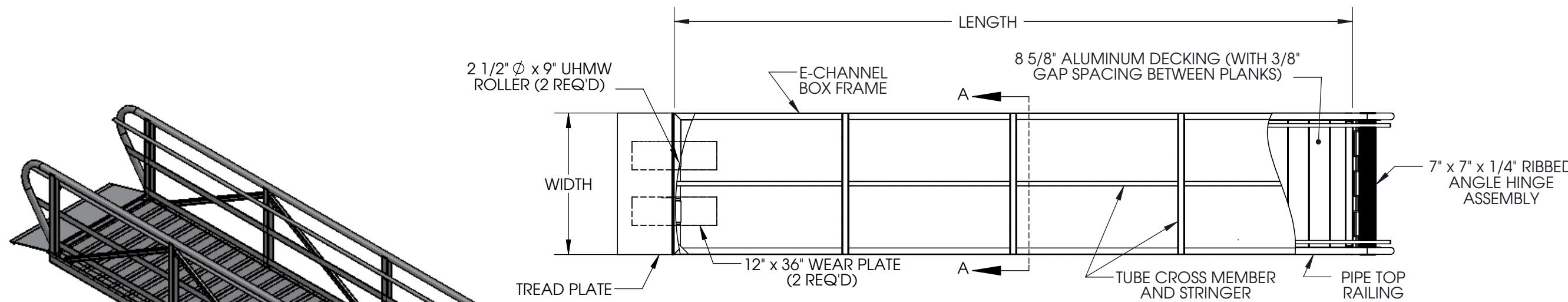
CUSTOMER PO NO.:  
---

	NAME	DATE
DRAWN BY:	ERJ	--/--/--
CHECKED BY:	JCP	--/--/--

DRAWING NO.:

**DR1 ALUMINUM GANGWAY**

Physical properties are defined by ASTM testing standards. The Aluminum Association Design Manual, and/or standard engineering practice. The values shown are nominal and may vary. The information found in this document is believed to be true and accurate. No warranties of any kind are made as to the suitability of any CMI product for particular applications or the results obtained there from. ShoreGuard, C-Loc, TimberGuard, GeoGuard, Dura Dock, Shore-All, and Gator Gates are registered trademarks of Crane Materials International. ArmorWare, Ultra Composite, GatorDocks, and CMI Waterfront Solutions are trademarks of Crane Materials International. United States and International Patent numbers 5,145,287; 5,881,508; 6,000,883; 6,033,155; 6,053,666; D420,154; 4,674,921; 4,690,588; 5,292,208; 6,575,667; 7,059,807; 7,056,066; 7,026,539; 1,245,061; Other patents pending. © 2008 Crane Materials International. All Rights Reserved.

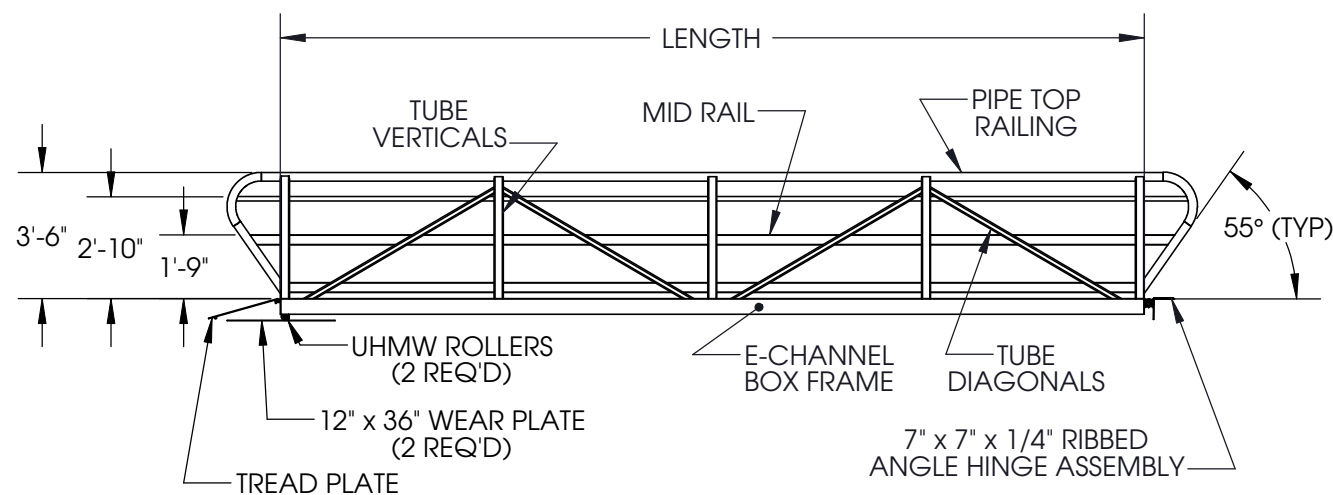


PLAN VIEW OF DR1 ALUMINUM GANGWAY

SCALE: NTS

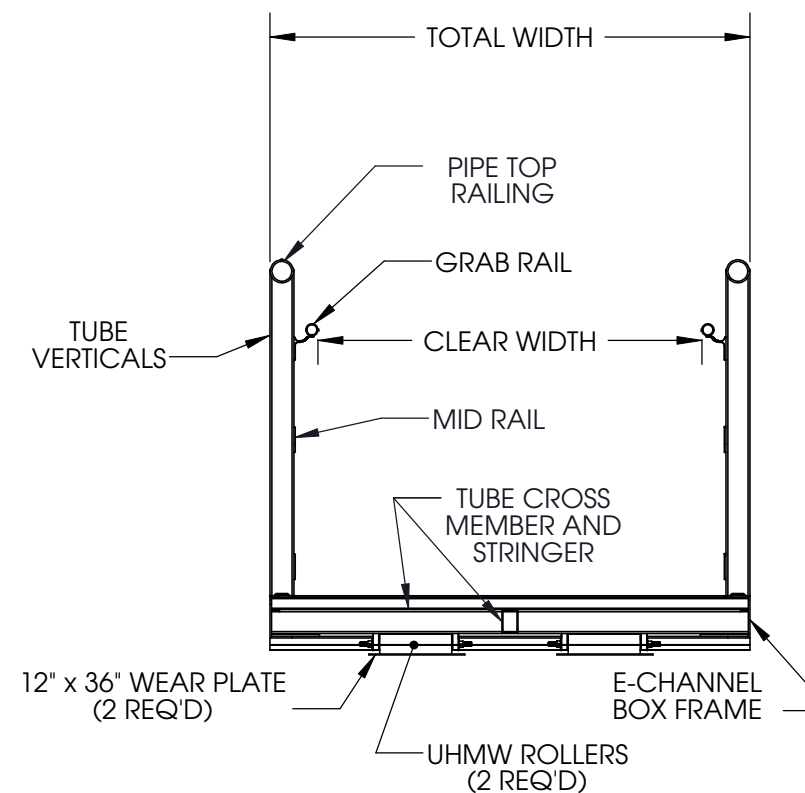
ISOMETRIC VIEW OF DR1 ALUMINUM GANGWAY

SCALE: NTS



ELEVATION VIEW OF DR1 ALUMINUM GANGWAY

SCALE: NTS



SECTION A-A

SCALE: NTS

THE INFORMATION CONTAINED IN THIS DRAWING IS THE SOLE PROPERTY OF GATOR DOCK & MARINE, LLC. ANY REPRODUCTION IN PART OR AS A WHOLE WITHOUT THE WRITTEN PERMISSION OF GATOR DOCK & MARINE, LLC IS PROHIBITED.

**RECORD OF REVISIONS**

No.	DATE	DESCRIPTION:
0	--/--/--	---
1	--/--/--	---
2	--/--/--	---

PROJECT NAME:  
---

CUSTOMER NAME:  
---

CUSTOMER ADDRESS:  
---

PROJECT LOCATION:  
---

CMI ORDER NO.:  
---

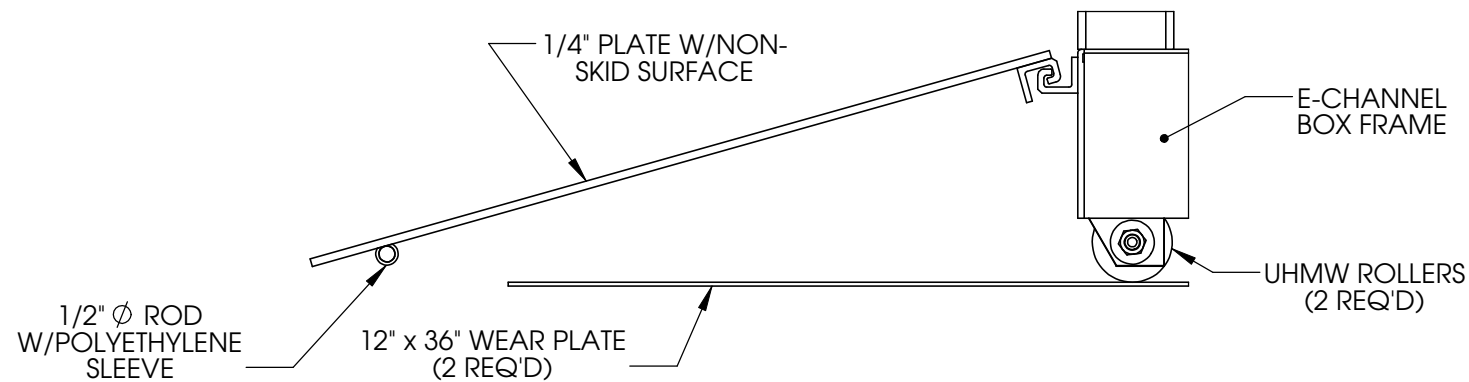
CUSTOMER PO NO.:  
---

	NAME	DATE
DRAWN BY:	ERJ	--/--/--
CHECKED BY:	JCP	--/--/--

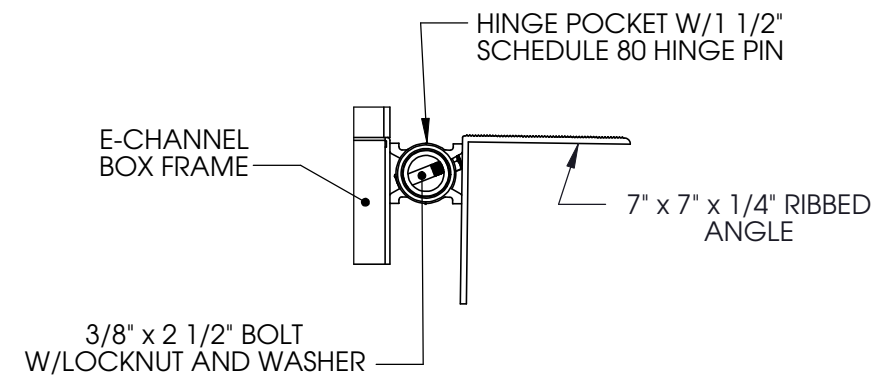
DRAWING NO.:

**DR1 ALUMINUM GANGWAY COMPONENTS**

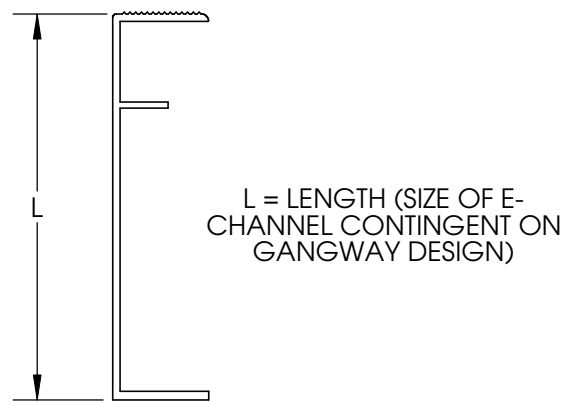
Physical properties are defined by ASTM testing standards. The Aluminum Association Design Manual, and/or standard engineering practice. The values shown are nominal and may vary. The information found in this document is believed to be true and accurate. No warranties of any kind are made as to the suitability of any CMI product for particular applications or the results obtained there from. ShoreGuard, C-Loc, TimberGuard, GeoGuard, Dura Dock, Shore-All, and Gator Gates are registered trademarks of Crane Materials International. ArmorWare, Ultra Composite, GatorDocks, and CMI Waterfront Solutions are trademarks of Crane Materials International. United States and International Patent numbers 5,145,287; 5,881,508; 6,000,883; 6,033,155; 6,053,666; D420,154; 4,674,921; 4,690,588; 5,292,208; 6,575,667; 7,059,807; 7,056,066; 7,026,539; 1,245,061; Other patents pending. © 2008 Crane Materials International. All Rights Reserved.



**TREAD PLATE DETAIL**  
SCALE: NTS

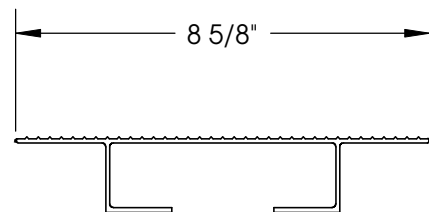


**HINGE DETAIL**  
SCALE: NTS

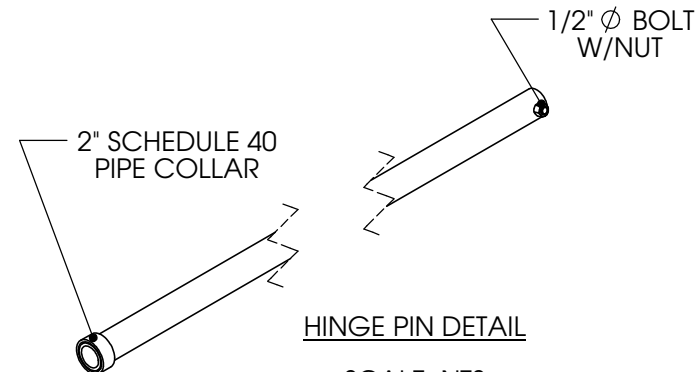


**E-CHANNEL DETAIL**  
SCALE: NTS

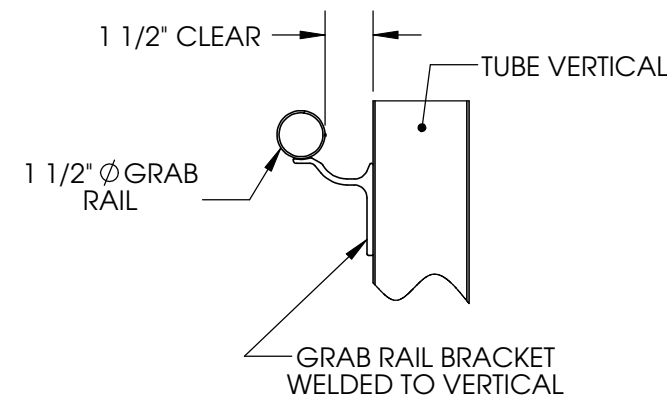
L = LENGTH (SIZE OF E-CHANNEL CONTINGENT ON GANGWAY DESIGN)



**8 5/8" ALUMINUM DECKING DETAIL**  
(12" ALUMINUM DECKING ALSO AVAILABLE)  
SCALE: NTS



**HINGE PIN DETAIL**  
SCALE: NTS



**GRAB RAIL DETAIL**  
SCALE: NTS

RECORD OF REVISIONS		
No.	DATE	DESCRIPTION:
1		
2		

PROJECT NAME:  
**ALUMINUM FRAME FULL FLOAT DOCK**

CUSTOMER NAME:  
-

CUSTOMER ADDRESS:  
---

PROJECT LOCATION:  
---

CMI ORDER NO.:  
---

CUST. PO NO.:  
---

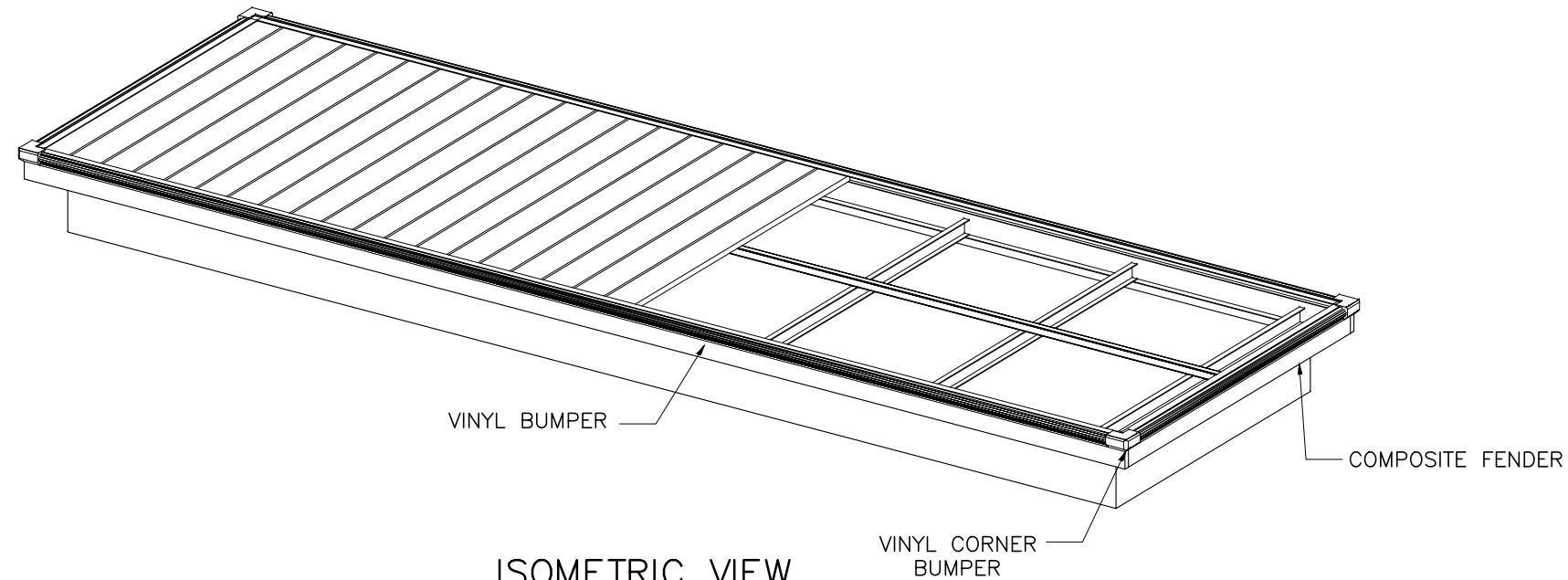
	NAME	DATE
DRAWN BY:	-	9/11/23
CHECKED BY:		

DRAWING NO.:  
**S-101**  
OVERALL DOCK PLAN

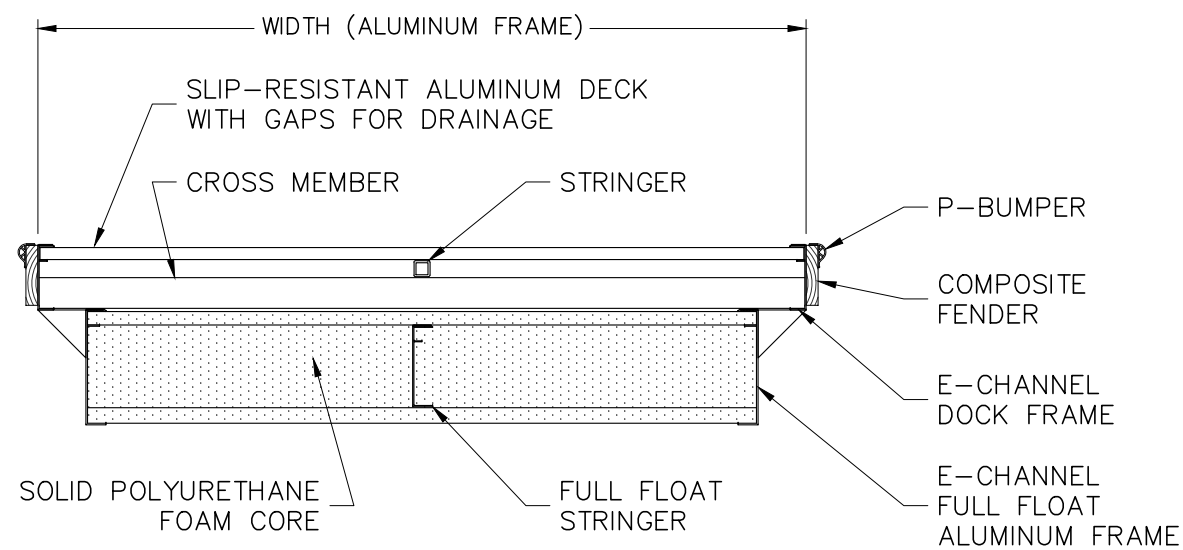
SHEET: 1 of 2  
Physical properties are defined by ASTM testing standards, The Aluminum Association Design Manual, and/or standard engineering practice. The values shown are nominal and may vary. The information found in this document is believed to be true and accurate. No warranties of any kind are made as to the suitability of any CMI product for particular applications or the results obtained there from. ShoreGuard, C-Loc, TimberGuard, GeoGuard, Dura Dock, Shore-All, and Gator Gates are registered trademarks of CMI. ArmorWare, Ultra Composite, GatorDocks, and CMI Waterfront Solutions are trademarks of CMI. United States and International numbers 5,145,287; 5,891,508; 6,000,883; 6,033,155; 6,053,666; D420,154; 4,674,921; 4,690,588; 5,292,208; 6,575,667; 7,059,807; 7,056,066; 7,025,539; 1,245,061; © Other patents pending. 2021 CMI LIMITED Co. All Rights Reserved.

**NOTES:**

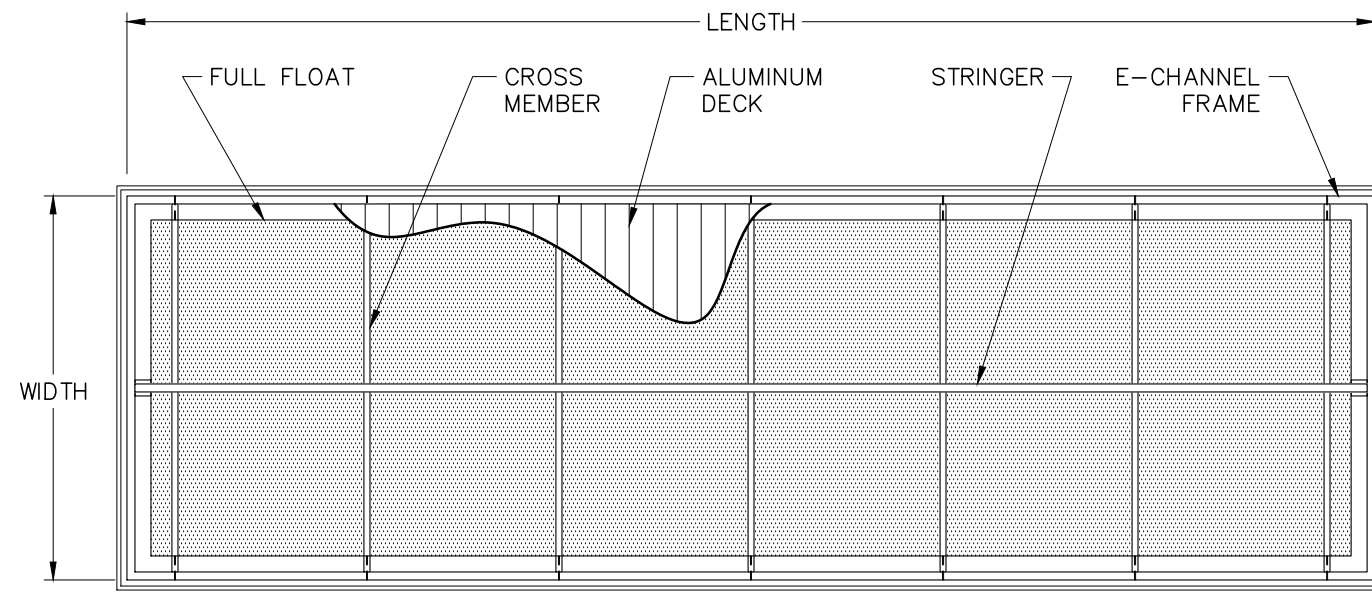
1. ALL STRUCTURAL ALUMINUM IS ALLOY 6061-T6, MILL FINISH.
2. ALL JOINTS ARE FULLY WELDED UNLESS NOTED OTHERWISE. FILLER METAL TO BE 5356 SERIES WIRE.
3. ALL HARDWARE IS STAINLESS STEEL, SERIES 304. USE PERMATEX ANTI-SEIZE LUBRICANT OR EQUAL.
4. FLOATING DOCKS DESIGNED FOR AN 16"± UNLOADED FREEBOARD AND A MINIMUM 8" LOADED FREEBOARD UNDER A 20 PSF LIVE LOAD.
5. PILE GUIDE LOCATIONS ARE SUGGESTED FOR COMPATIBILITY WITH DOCK LAYOUT ONLY. PILE TYPE, SIZE, QTY, AND DESIGN BY OTHERS.
6. DOCK DIMENSIONS SHOWN ARE NOMINAL FROM ALUMINUM TO ALUMINUM FRAME. FINAL FINISHED DIMENSIONS WILL VARY ACCORDING TO INSTALLED FENDERS & BUMPERS.



**ISOMETRIC VIEW**  
SCALE: N.T.S.



**SECTION VIEW**  
SCALE: N.T.S.



**PLAN VIEW**  
SCALE: N.T.S.

DRAFT

RECORD OF REVISIONS

No.	DATE	DESCRIPTION:
1		
2		

PROJECT NAME:  
**ALUMINUM FRAME FULL FLOAT DOCK**

CUSTOMER NAME:  
-

CUSTOMER ADDRESS:  
---

PROJECT LOCATION:  
---

CMI ORDER NO.:  
---

CUST. PO NO.:  
---

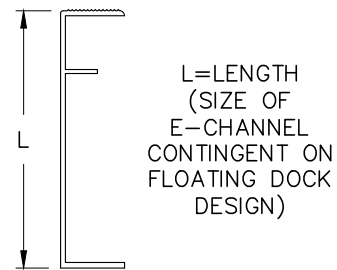
	NAME	DATE
DRAWN BY:	-	9/11/23

CHECKED BY:

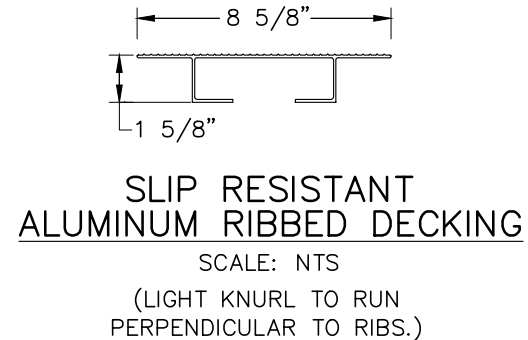
DRAWING NO.:  
**S-501**  
COMPONENT DETAIL

SHEET: 2 of 2

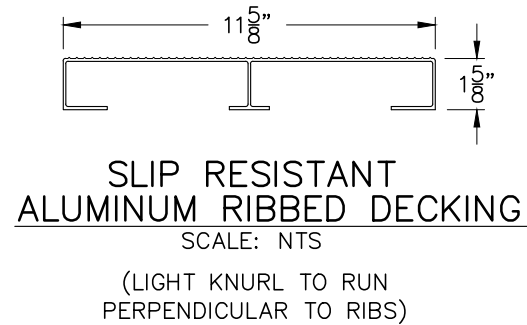
Physical properties are defined by ASTM testing standards, The Aluminum Association Design Manual, and/or standard engineering practice. The values shown are nominal and may vary. The information found in this document is believed to be true and accurate. No warranties of any kind are made as to the suitability of any CMI product for particular applications or the results obtained there from. ShoreGuard, C-Loc, TimberGuard, GeoGuard, Dura Dock, Shore-All, and Gator Gates are registered trademarks of CMI. ArmorWare, Ultra Composite, GatorDocks, and CMI Waterfront Solutions are trademarks of CMI. United States and International numbers 5,145,287; 5,881,508; 6,000,883; 6,033,155; 6,053,666; D420,154; 4,674,921; 4,690,588; 5,292,208; 6,575,667; 7,059,807; 7,056,066; 7,025,539; 1,245,061; © Other patents pending. 2021 CMI LIMITED Co. All Rights Reserved.



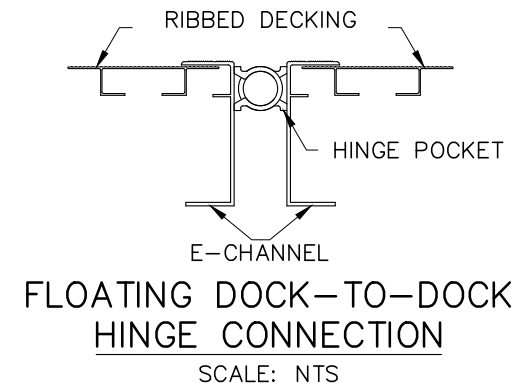
**E-CHANNEL DETAIL**  
SCALE: NTS



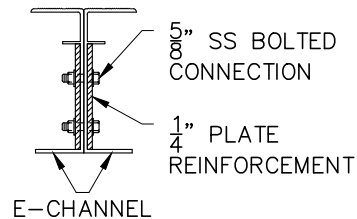
**SLIP RESISTANT ALUMINUM RIBBED DECKING**  
SCALE: NTS  
(LIGHT KNURL TO RUN PERPENDICULAR TO RIBS.)



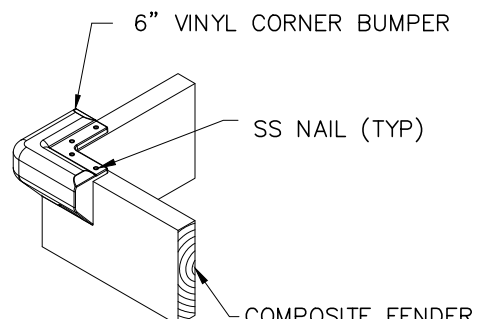
**SLIP RESISTANT ALUMINUM RIBBED DECKING**  
SCALE: NTS  
(LIGHT KNURL TO RUN PERPENDICULAR TO RIBS.)



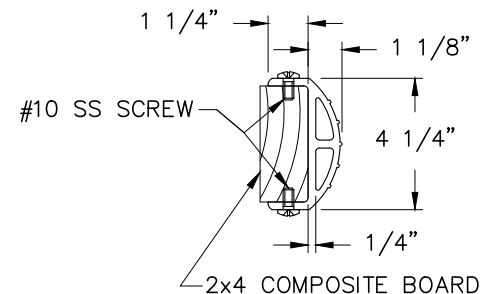
**FLOATING DOCK-TO-DOCK HINGE CONNECTION**  
SCALE: NTS



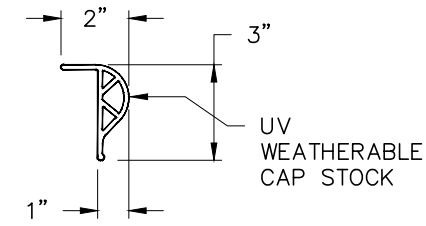
**FLOATING DOCK-TO-DOCK BOLTED CONNECTION**  
SCALE: NTS



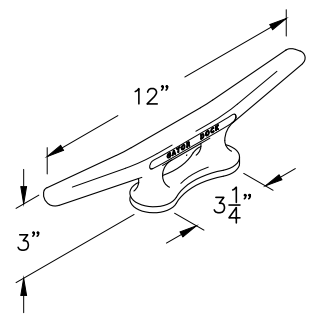
**6" CORNER BUMPER**  
SCALE: NTS



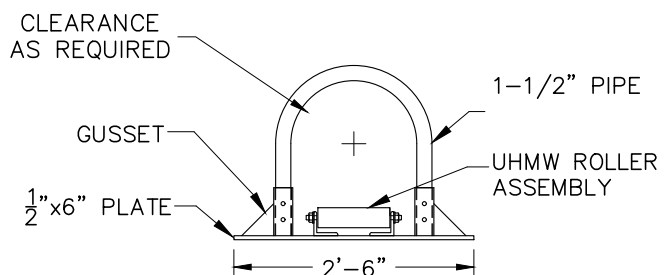
**VINYL D-BUMPER**  
SCALE: NTS  
(STANDARD = BLACK  
OPTIONAL = WHITE)



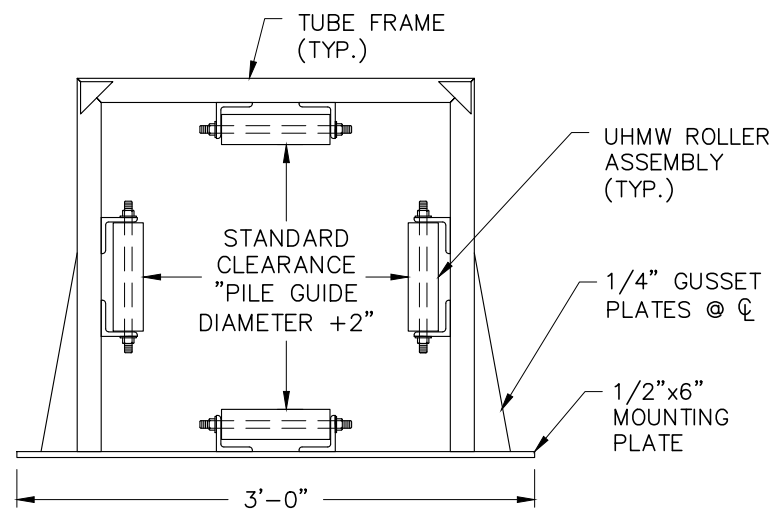
**VINYL BUMPER**  
SCALE: NTS  
STANDARD COLOR: BLACK  
INTERIOR WITH BLACK CAP STOCK



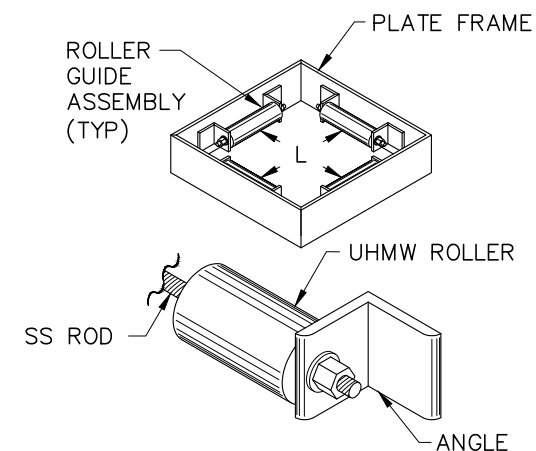
**ALUMINUM CLEAT**  
SCALE: NTS  
\* CLEAT TO BE FILLET WELDED



**1-ROLLER EXT. PILE GUIDE**  
SCALE: NTS  
\* TO BE INSTALLED ON SITE BY OTHERS.



**4-ROLLER EXT. PILE GUIDE**  
SCALE: NTS  
\* TO BE INSTALLED ON SITE BY OTHERS.



**INT PILE GUIDE**  
SCALE: NTS

DRAFT