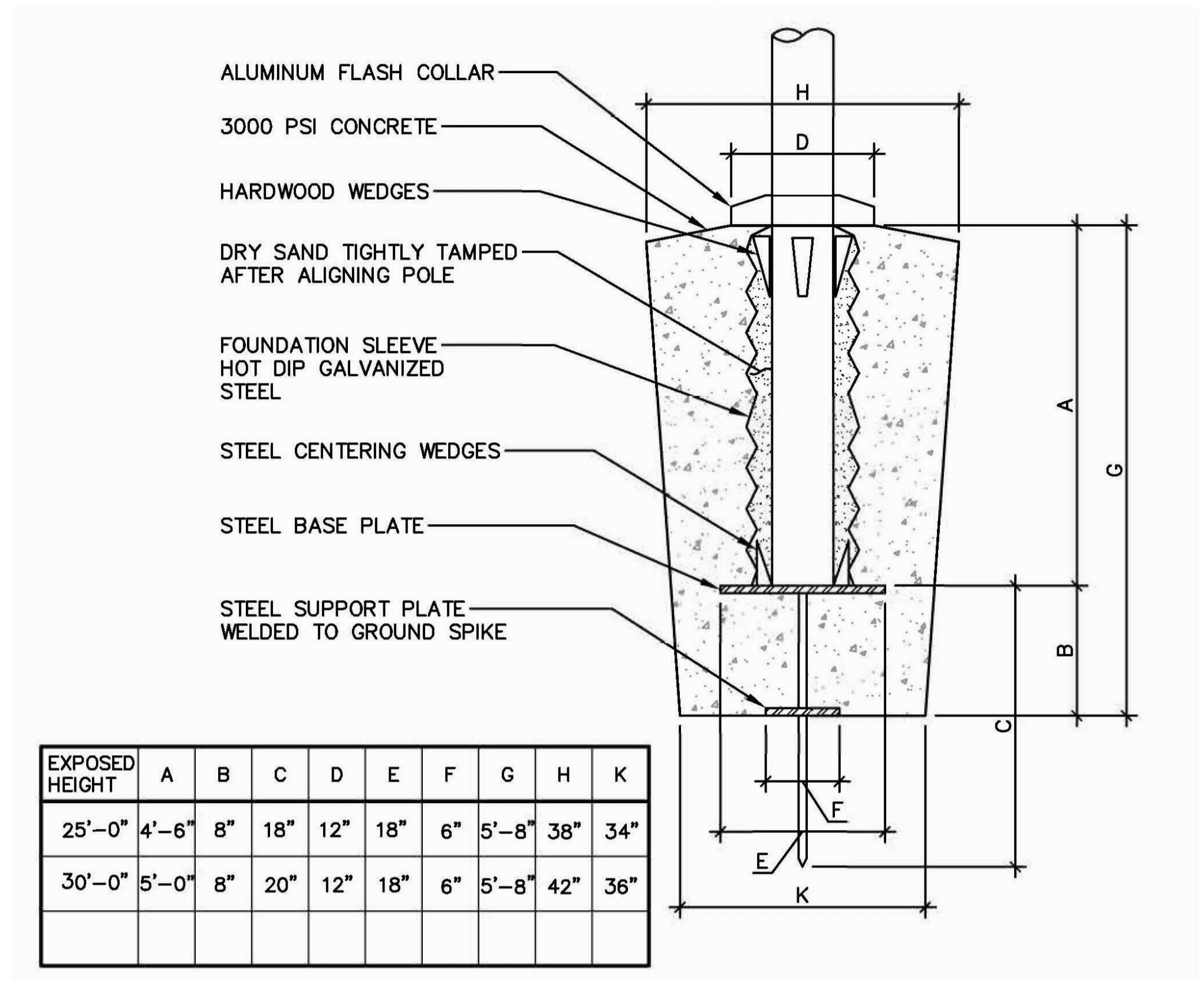


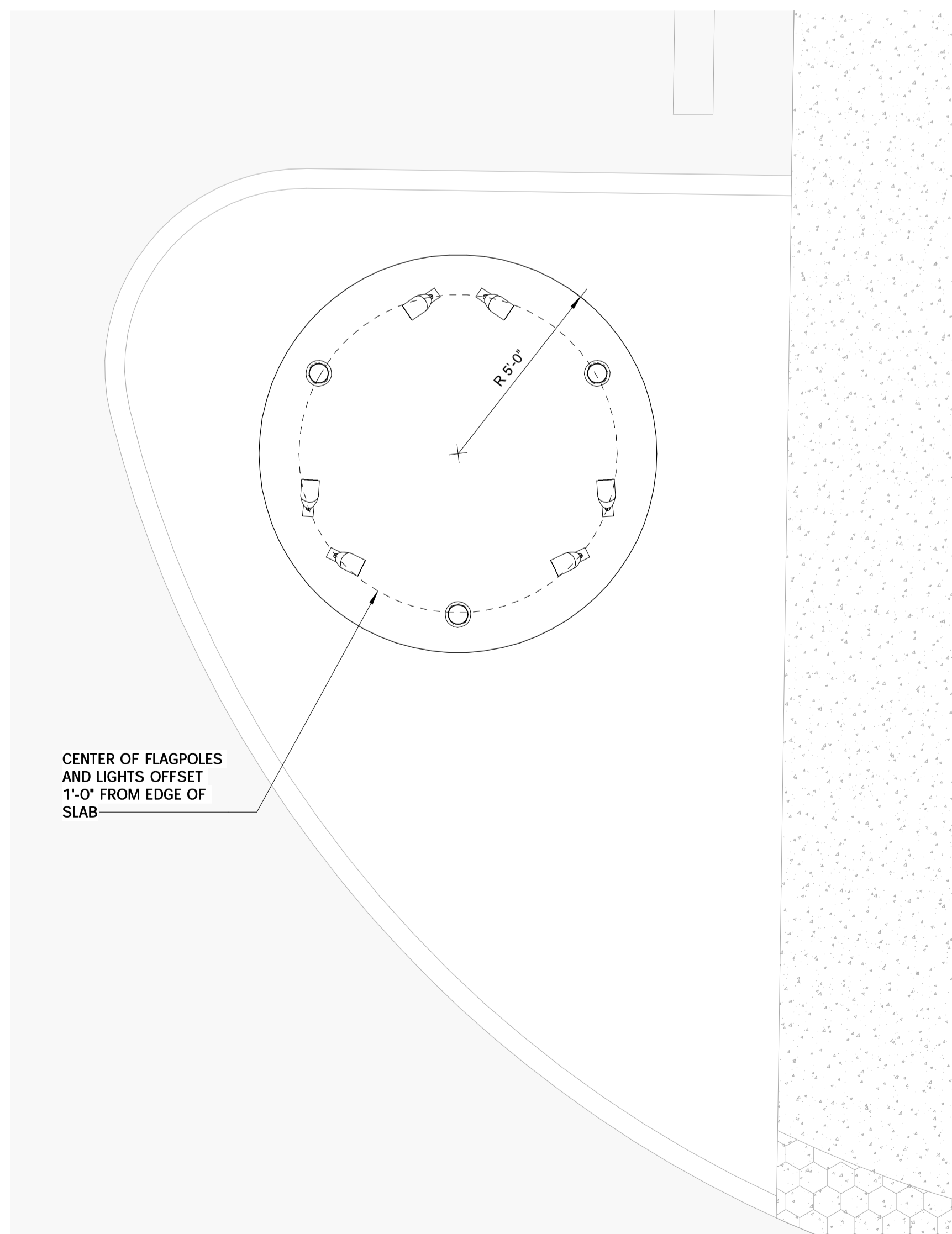
FLAGPOLE ELEVATION

SCALE: 3/8" = 1'-0"



FLAGPOLE FOUNDATION DETAIL (FOR EXPOSED HEIGHTS OF 25' & 30')

SCALE: N.T.S.



FLAGPOLE ENLARGED PLAN

SCALE: 3/8" = 1'-0"

