

ADDENDUM #5

Citrus Grove Road Phase 5
Project No. 2023-08, Bid No. 23-562

This addendum is being issued to make the following changes, corrections, clarifications and additions to the bidding document. The information in this addendum modifies and changes the original bidding documents and takes precedence over the original documents. **Receipt of this addendum shall be acknowledged by the bidder by signing and dating the appropriate line on page W-4 of the bid proposal.** Failure to acknowledge this addendum may preclude consideration of the bid proposal for award.

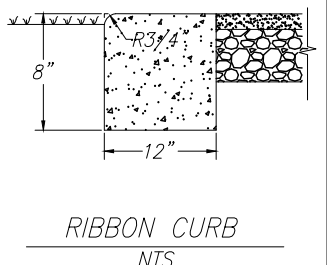
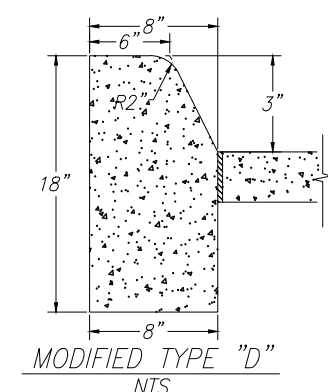
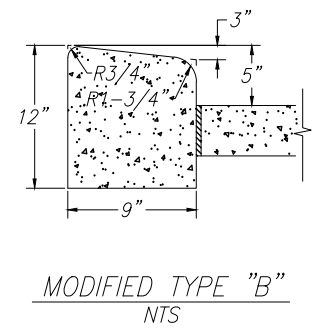
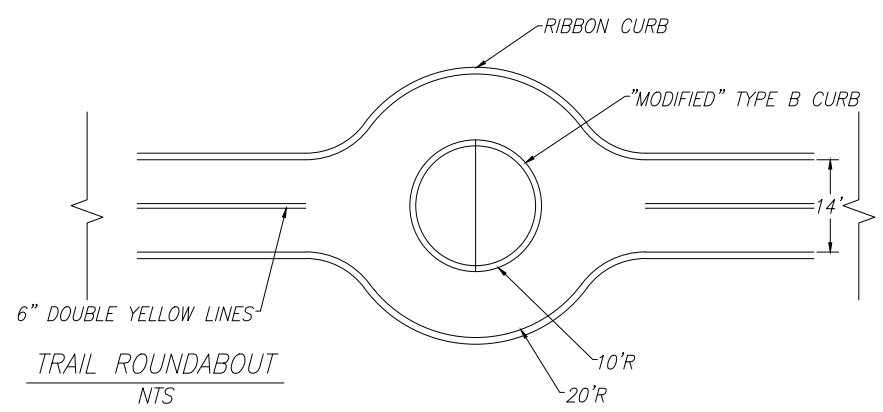
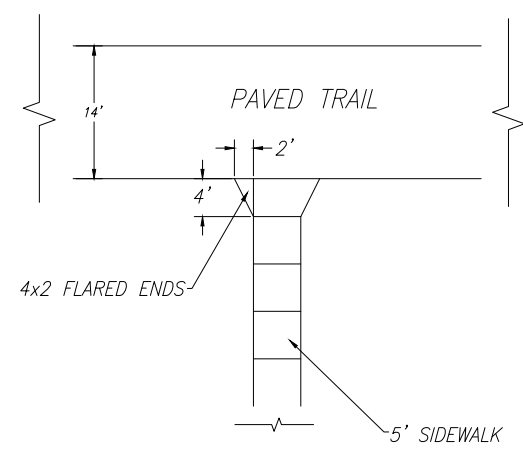
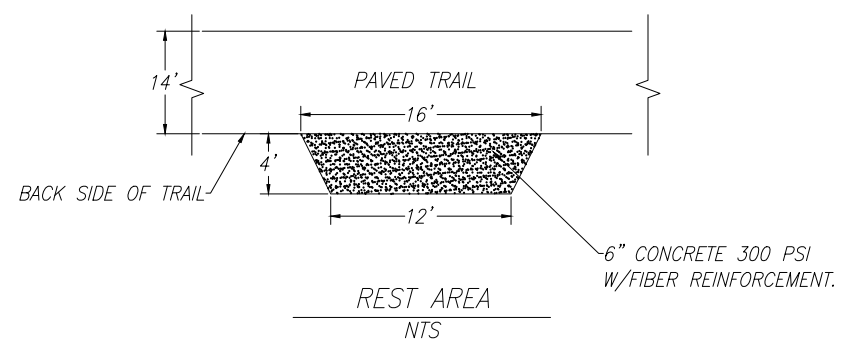
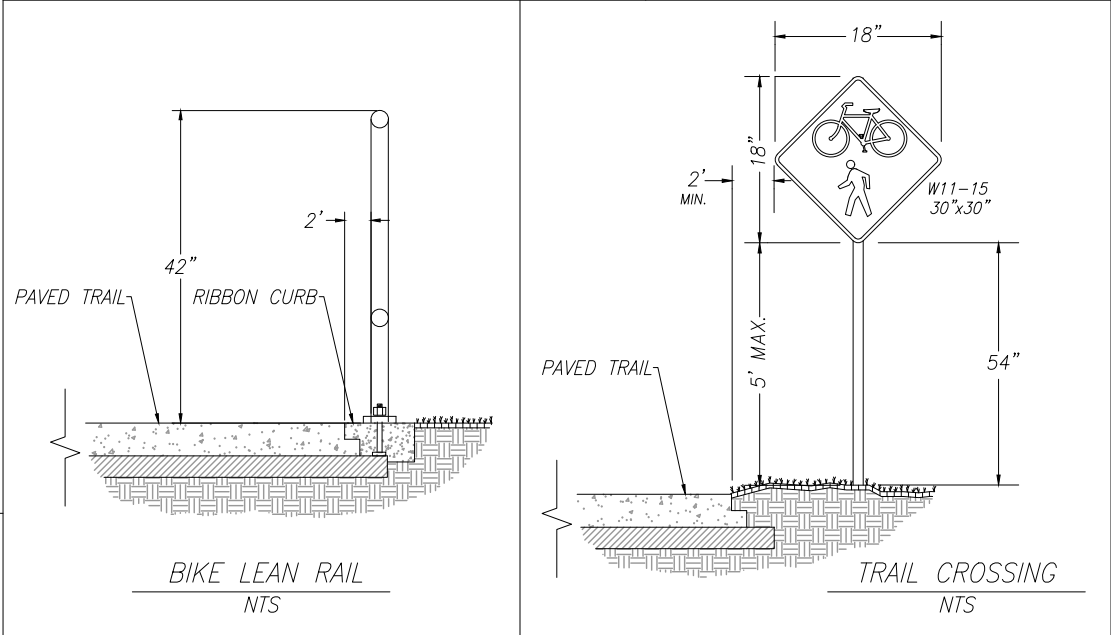
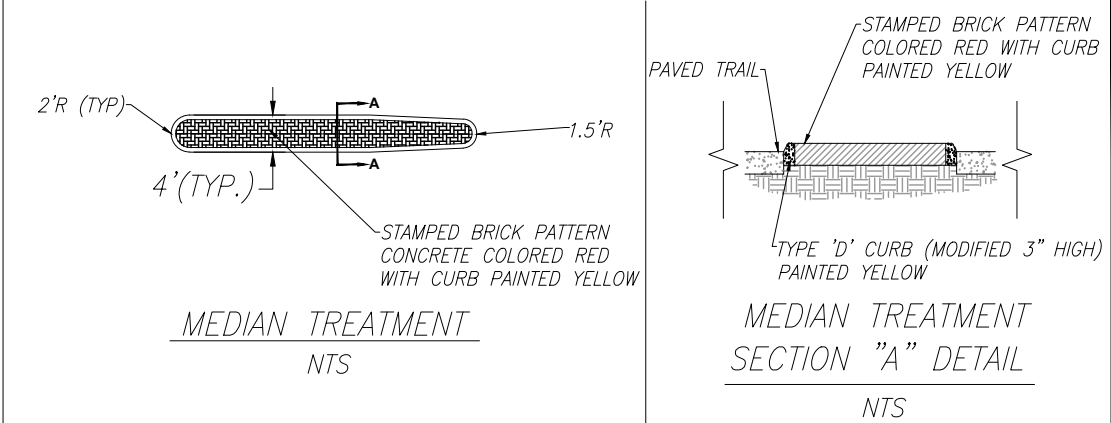
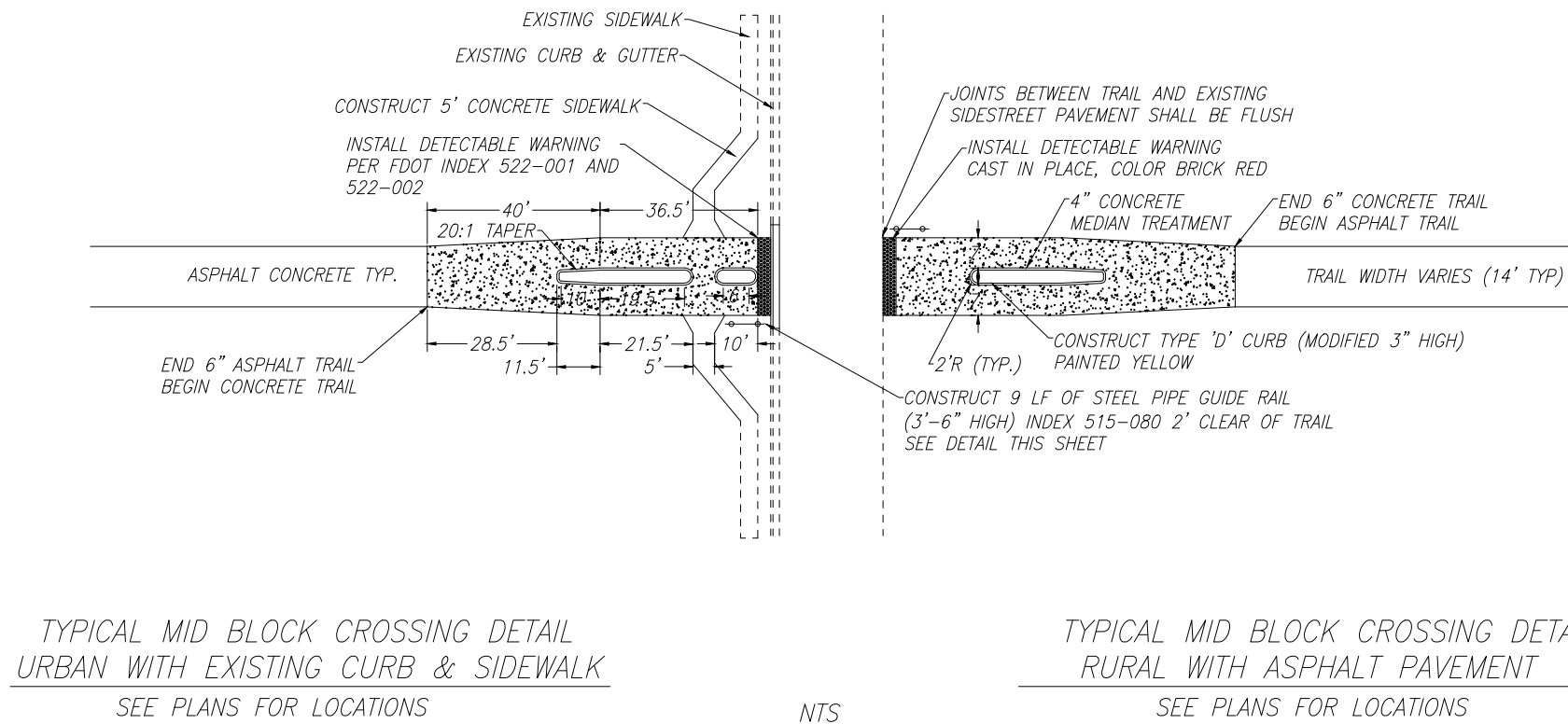
Sheet 509, as called out in Answer 9 on Addendum #4, was inadvertently not included with Addendum #4. Please see Sheet 509 attached hereto.



Deborah Marchese, Construction Program Supervisor



Date



SECTION	TOWNSHIP	RANGE
DESIGNED:	DATE:	
DRAWN:	DATE:	
APPROVED:	DATE:	



DEPARTMENT OF PUBLIC WORKS
ENGINEERING DIVISION
350 SINCLAIR AVE.
TAVARES, FLORIDA 32778

**STANDARD
MULTI-USE TRAIL DETAIL**