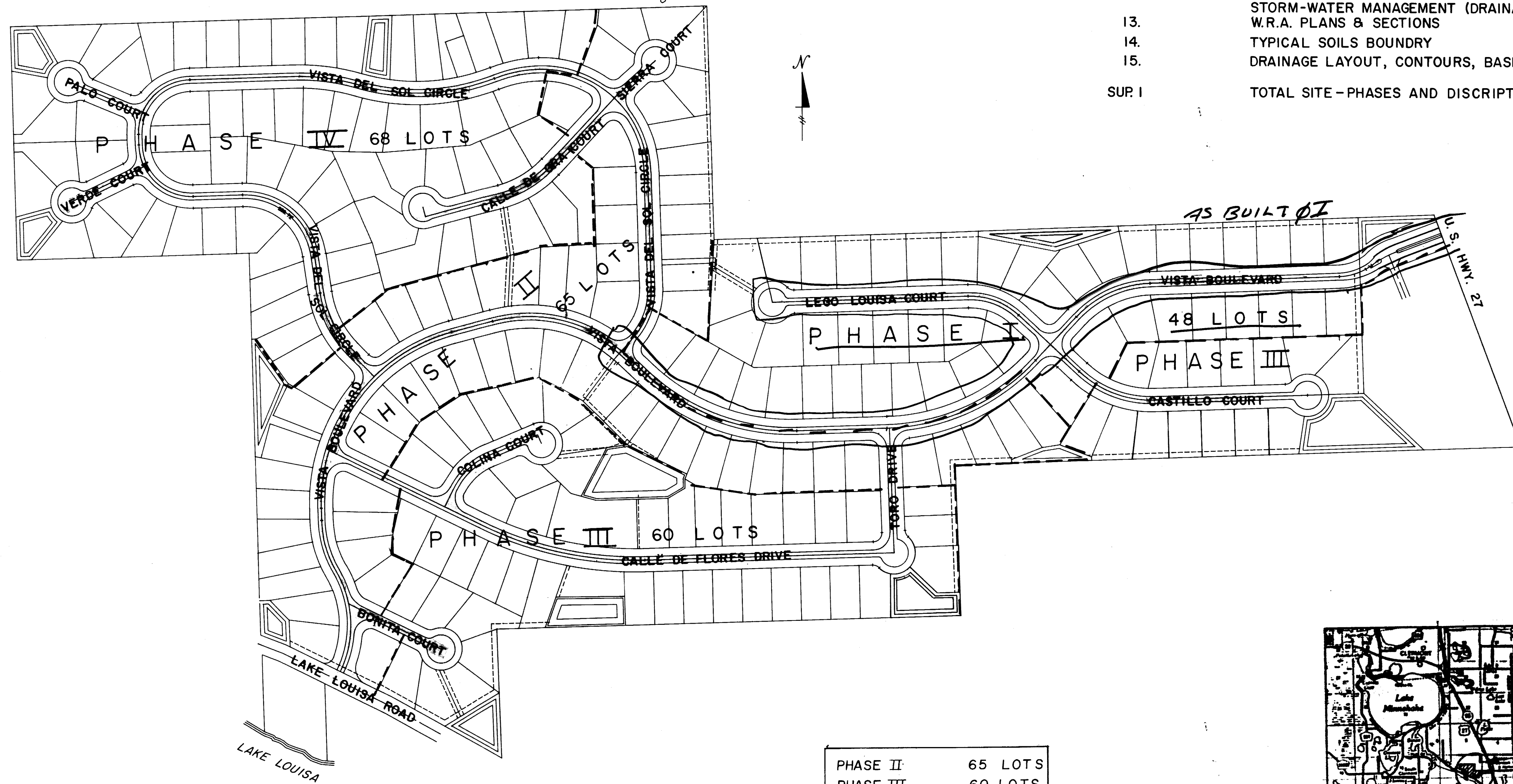
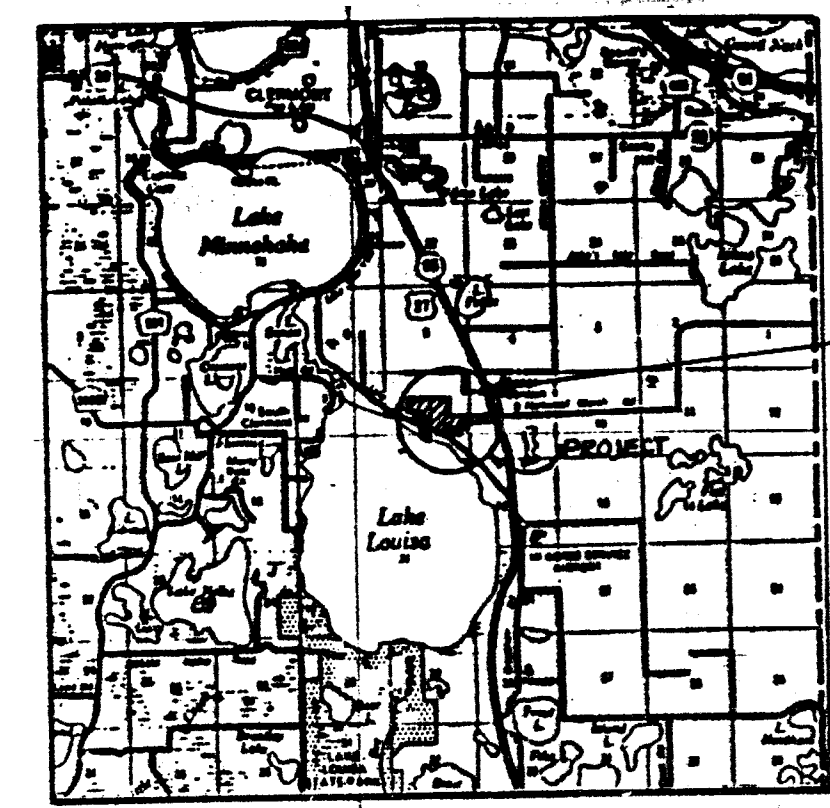


The Vistas Lake County, Florida



PHASE II	65	LOTS
PHASE III	60	LOTS
PHASE III	TOTAL	60 LOTS
PHASE IV	68	LOTS
PHASE I	48	LOTS
" II	65	"
" III	60	"
" IV	68	"
TOTAL	241	"



LOCATION MAP
(N.T.S.)
NW 1/4, SW 1/4 SEC 9, TOWNSHIP 23 S, RANGE 26 E
AND SE 1/4, NE 1/4 AND NE 1/4, SE 1/4 OF SEC. 8, TOWNSHIP 23 S,
RANGE 26 E; LAKE COUNTY FLORIDA.
APPROX. CENTER OF PROJECT AT :
LATITUDE 28°29'46" LONGITUDE 81°43'35"
PROJECT LIES BETWEEN U.S. HWY 27 AND LAKE LOUISA ROAD.

INDEX OF SHEETS

1987 PREVIOUS DRAWINGS

SHEET NO.	DESCRIPTIONS
1.	COVER SHEET
2.	WATER TREATMENT PLANT
3.	WATER SYSTEM MASTER PLAN
4.	WATERLINE DETAIL
5.	MASTER DRAINAGE PLAN
6.	DRAINAGE DATA
7.	VISTA BOULEVARD PLAN & PROFILE
8.	LAGO LOUISA COURT & CASTILLO COURT PLAN & PROFILE
9.	MISCELLANEOUS DETAILS

1988 CURRENT DRAWINGS

SHEET NO.	DESCRIPTION
1.	COVER SHEET, INDEX OF SHEETS
2-3.	INDEX OF ROADWAY SHEETS, PHASES
4-9.	TYPICAL SECTION, DRAINAGE STRUCTURE DETAILS, ROADWAY SHEETS
10-11.	WATER LINE DETAILS, WATER DISTRIBUTION SYSTEM SPECIFICATIONS, WATER DISTRIBUTION SYSTEM, WELL & PLANT SITE, WELLS, TANK & APURTENANCE
12.	STORM-WATER MANAGEMENT (DRAINAGE)
13.	W.R.A. PLANS & SECTIONS
14.	TYPICAL SOILS BOUNDRY
15.	DRAINAGE LAYOUT, CONTOURS, BASINS, W.R.A.'S, FLOW.
SUP. 1	TOTAL SITE - PHASES AND DISCRPTION

PREPARED BY:
DURDEN & ASSOCIATES
220 WEST MAIN STREET
POST OFFICE BOX 1245
TAVARES, FLORIDA 32778
TELEPHONE (904) 343-5001

PLAN DATE: 12-1-88
REVISIONS:
AS BUILT
12-22-88

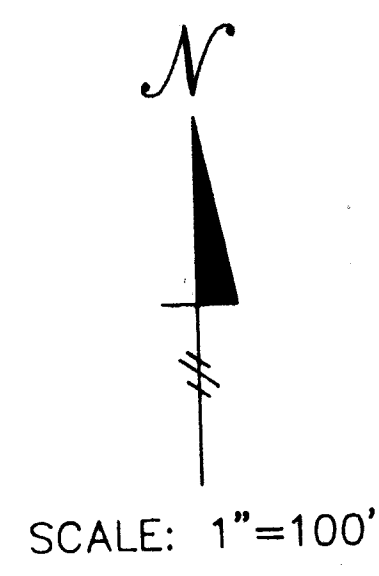
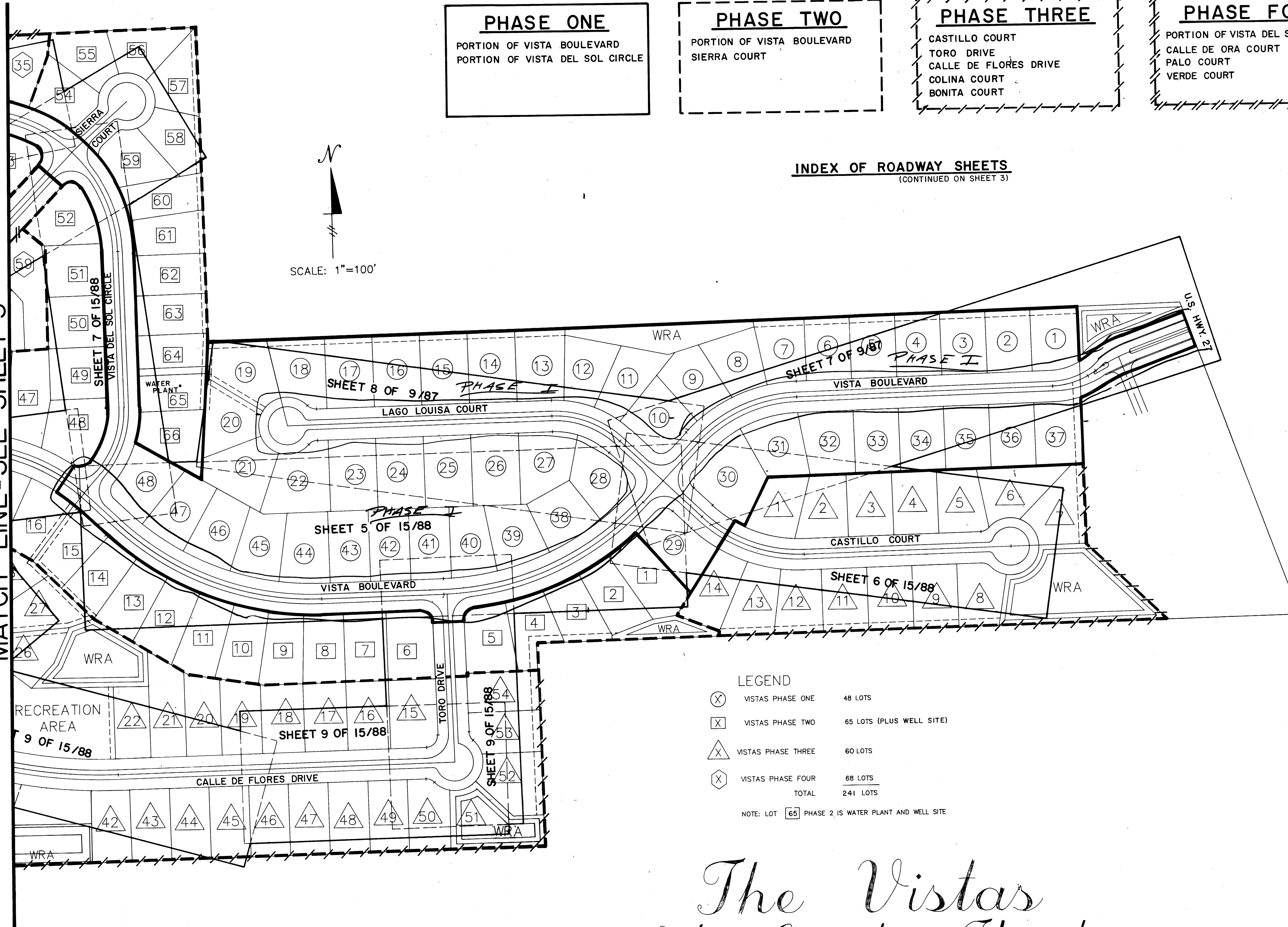
DEVELOPER: FRANKLIN D. LONGENBACH
P.O. BOX 307
BROADHEADSVILLE
PENNSYLVANIA 18322
ADDRESS:
TELEPHONE (717) 992-7488

SCALE:
HORIZ. N.T.S.
VERT. N.T.S.
FILE No. 16032
COMP.
88/1 SHEET 1 OF 15

SEAL

J.A.W. DAVIS #6603CE
DATED: NOVEMBER 23, 1988

MATCH LINE-SEE SHEET 3



PHASE ONE
 PORTION OF VISTA BOULEVARD
 PORTION OF VISTA DEL SOL CIRCLE

PHASE TWO
 PORTION OF VISTA BOULEVARD
 SIERRA COURT

PHASE THREE
 CASTILLO COURT
 TORO DRIVE
 CALLE DE FLORES DRIVE
 COLINA COURT
 BONITA COURT

PHASE FOUR
 PORTION OF VISTA DEL SOL CIRCLE
 CALLE DE ORA COURT
 PALO COURT
 VERDE COURT

INDEX OF ROADWAY SHEETS
 (CONTINUED ON SHEET 3)

LEGEND

(X)	VISTAS PHASE ONE	48 LOTS
(X)	VISTAS PHASE TWO	65 LOTS (PLUS WELL SITE)
(X)	VISTAS PHASE THREE	60 LOTS
(X)	VISTAS PHASE FOUR	68 LOTS
	TOTAL	241 LOTS

NOTE: LOT 65 PHASE 2 IS WATER PLANT AND WELL SITE

The Vistas
 Lake County, Florida

PREPARED BY:
DURDEN & ASSOCIATES
 220 WEST MAIN STREET
 POST OFFICE BOX 1245
 TAVARES, FLORIDA 32778
 TELEPHONE: (904) 343-5001

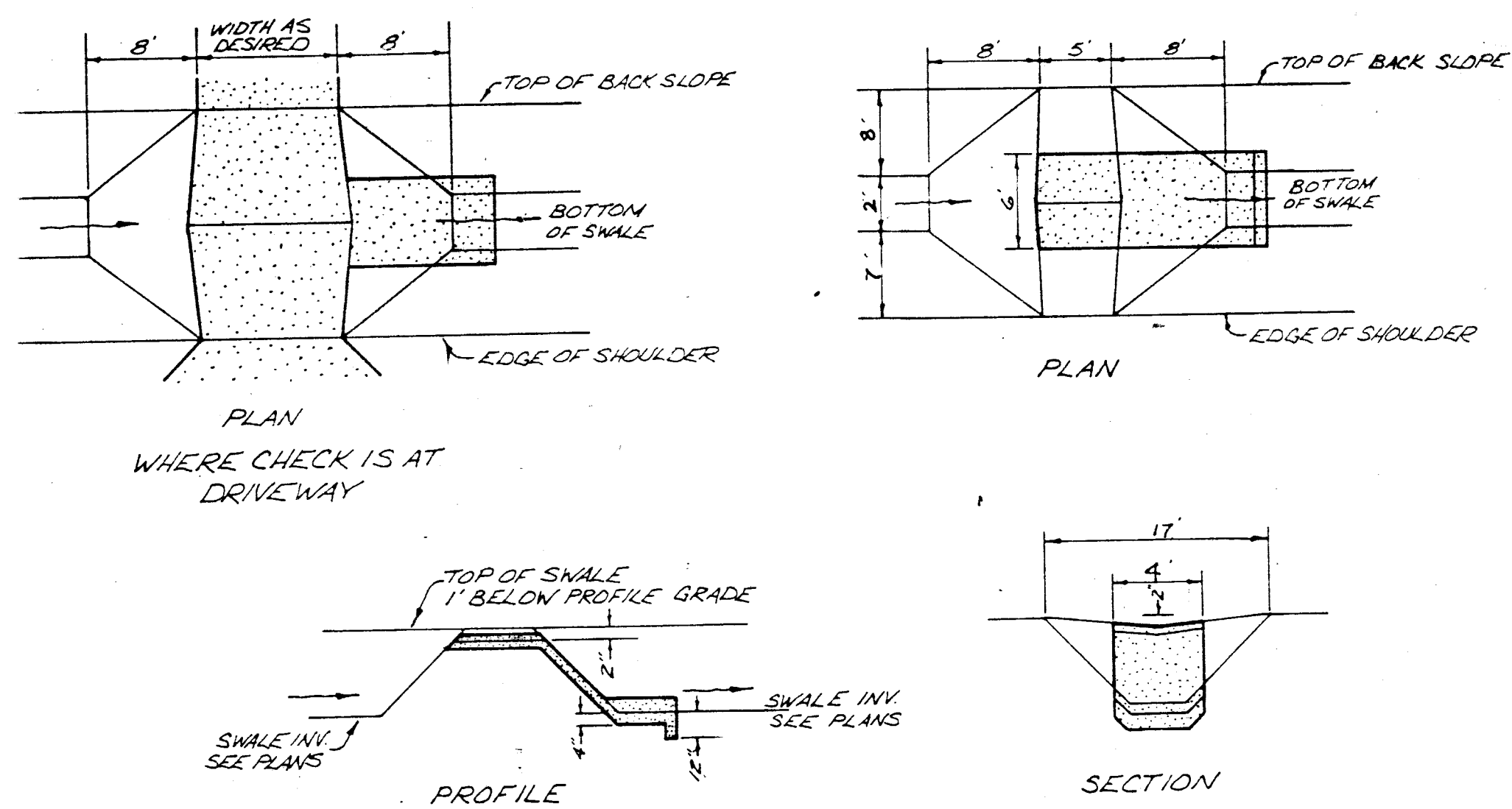
PLAN DATE: 12-1-88
 REVISIONS:
 15 BUILT
 PHASE I
 12-28-88

DEVELOPER: FRANKLIN D. LONGENBACH
 P.O. BOX 307
 BROADHEADSVILLE
 PENNSYLVANIA 18322
 ADDRESS:
 TELEPHONE (717) 992-7488

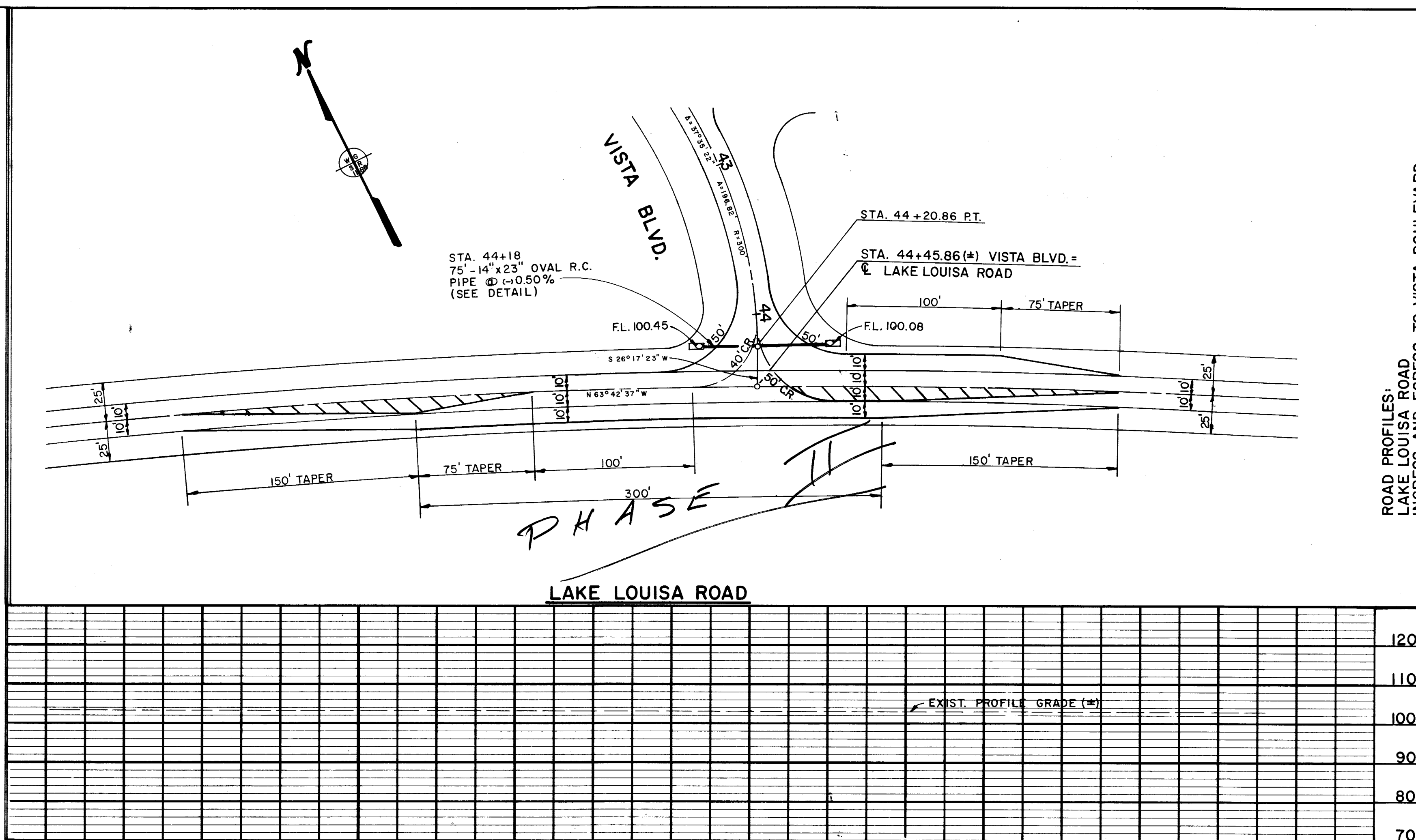
SCALE: 1" = 100'
 HORIZ. FILE No. 16032
 VERT. COMP.
 88/2 SHEET 2 OF 15

SEAL

A.A.D.
 J.A. W. DAVIS #6603CE
 DATED: NOVEMBER 1988



ROADSIDE SWALE CHECK



ROAD PROFILES:
LAKE LOUISA ROAD
INGRESS AND EGRESS TO VISTA BOULEVARD

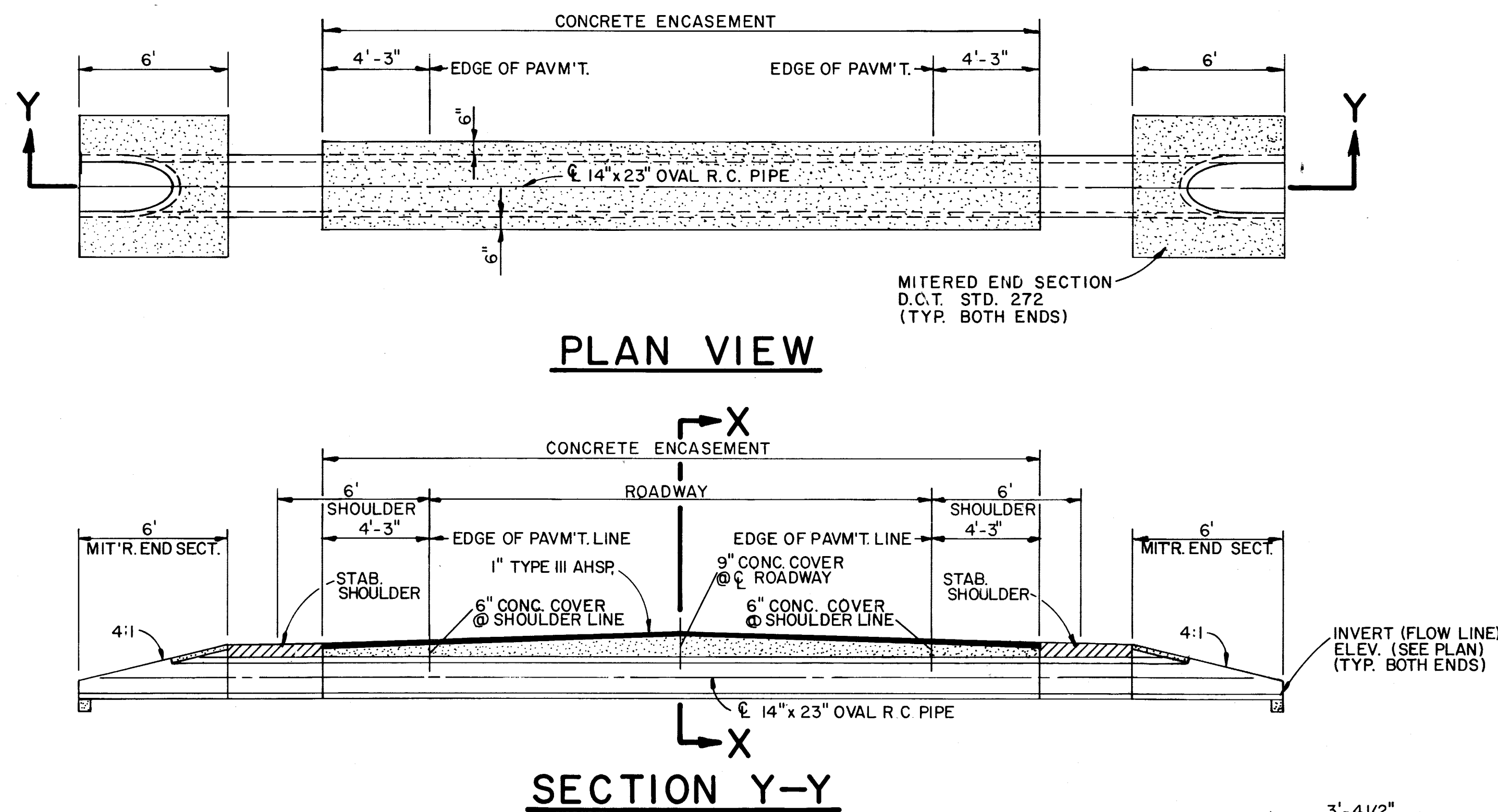
PREPARED BY:
DURDEN & ASSOCIATES
220 WEST MAIN STREET
POST OFFICE BOX 1245
TAVARES, FLORIDA 32778
TELEPHONE: (904) 343-5001

REVISIONS:
AS BUILT
DETAILS PHASE I
12-28-88 I.

DEVELOPER: FRANKLIN D. LONGENBACH
ADDRESS: P.O. BOX 307, BROADHEADSVILLE, PENNSYLVANIA 18322
TELEPHONE: (717) 992-7488

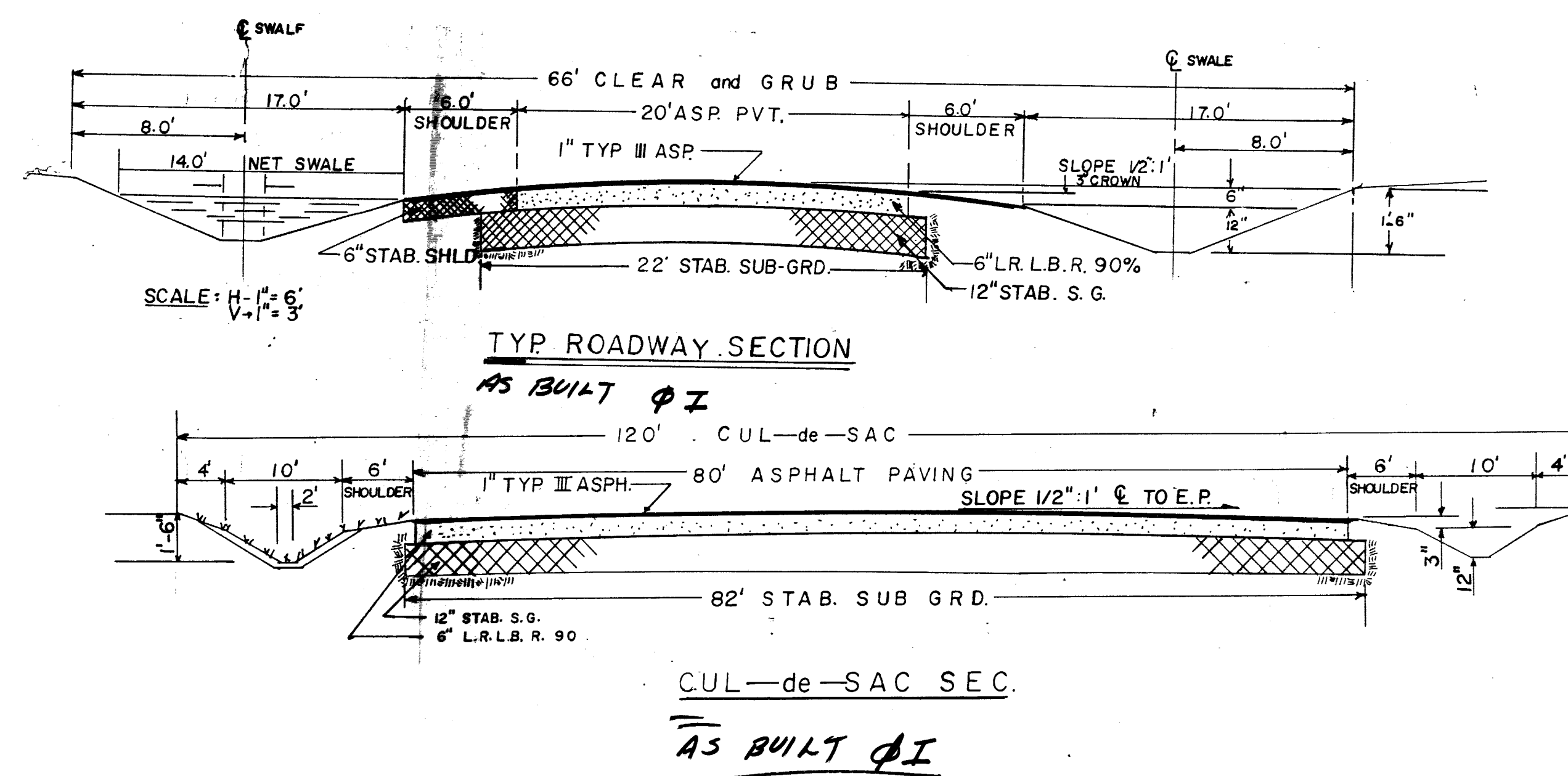
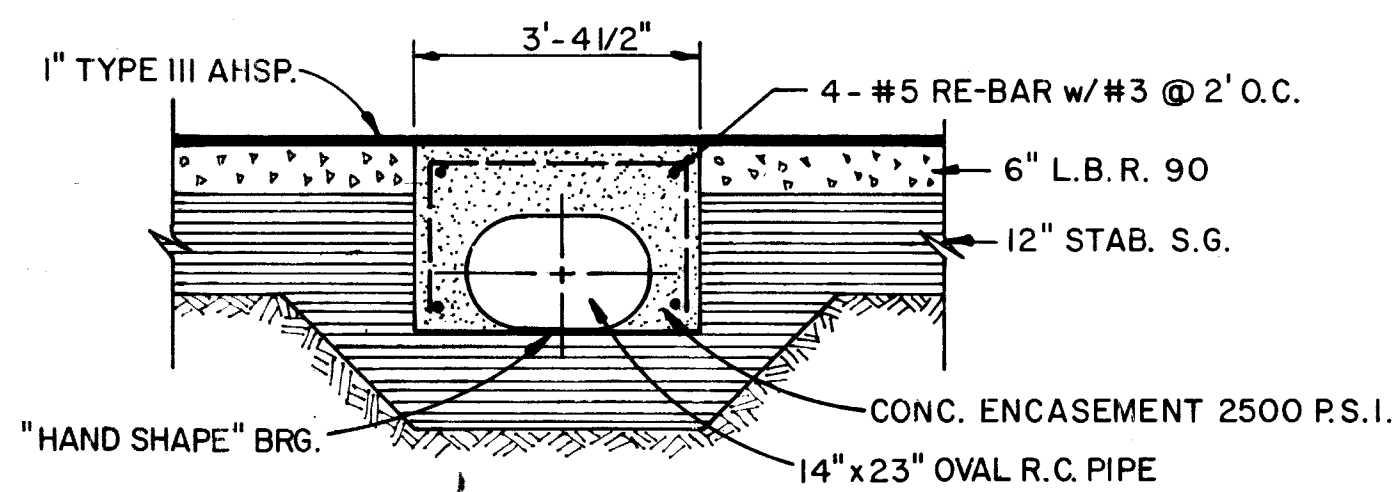
SCALE: HORIZ. = 1" = 50'
VERT. = 1" = 10'
FILE No. 16032
COMP. 8/74
SHEET 4 OF 15

SEAL
J.A. W. DAVIS #6603CE
NOVEMBER 29, 1988
DATED: 12-28-88



OVAL R. C. PIPE CULVERT

AS BUILT #I



LEGEND

- ⊠ GATE VALVE
- FIRE HYDRANT
- ▲ THRUST BLOCK
- ⊥ SINGLE WATER SERVICE & METER
- ⊥⊥ DOUBLE WATER SERVICE & METER

PLAN	DATE
NO.	
BY	
DATE	
REVISION #	DESCRIPTION
1	
2	
3	
4	
5	
6	
7	
8	
9	
10	

PROFILE	DATE
NO.	
BY	
DATE	
REVISION #	DESCRIPTION
1	
2	
3	
4	
5	
6	
7	
8	
9	
10	

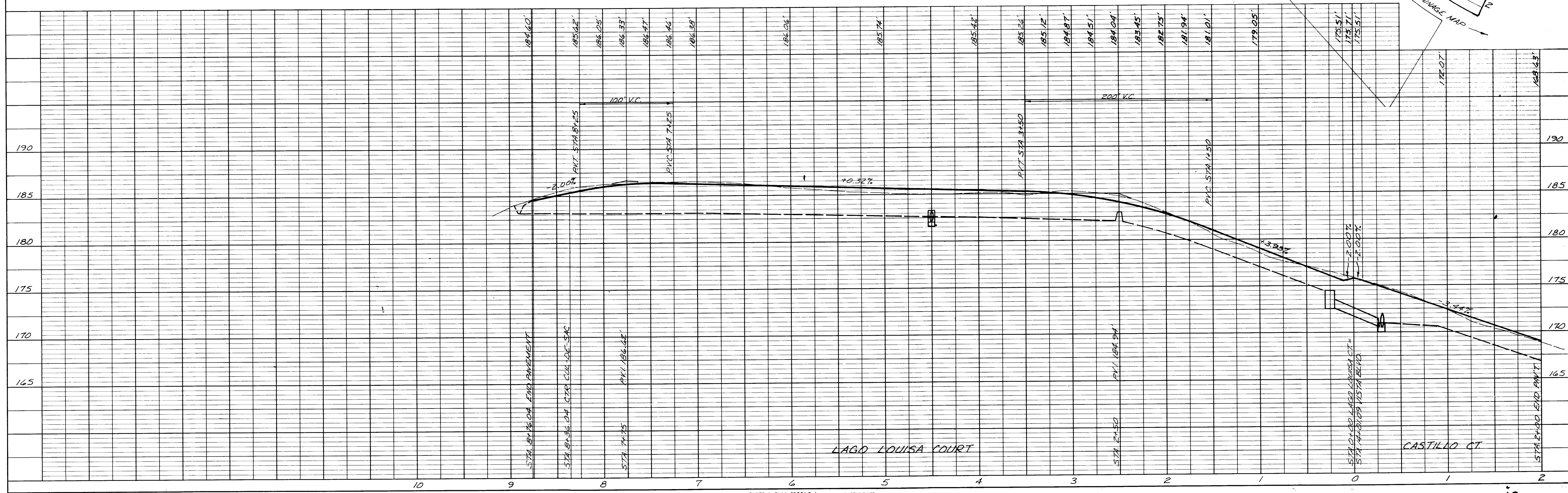
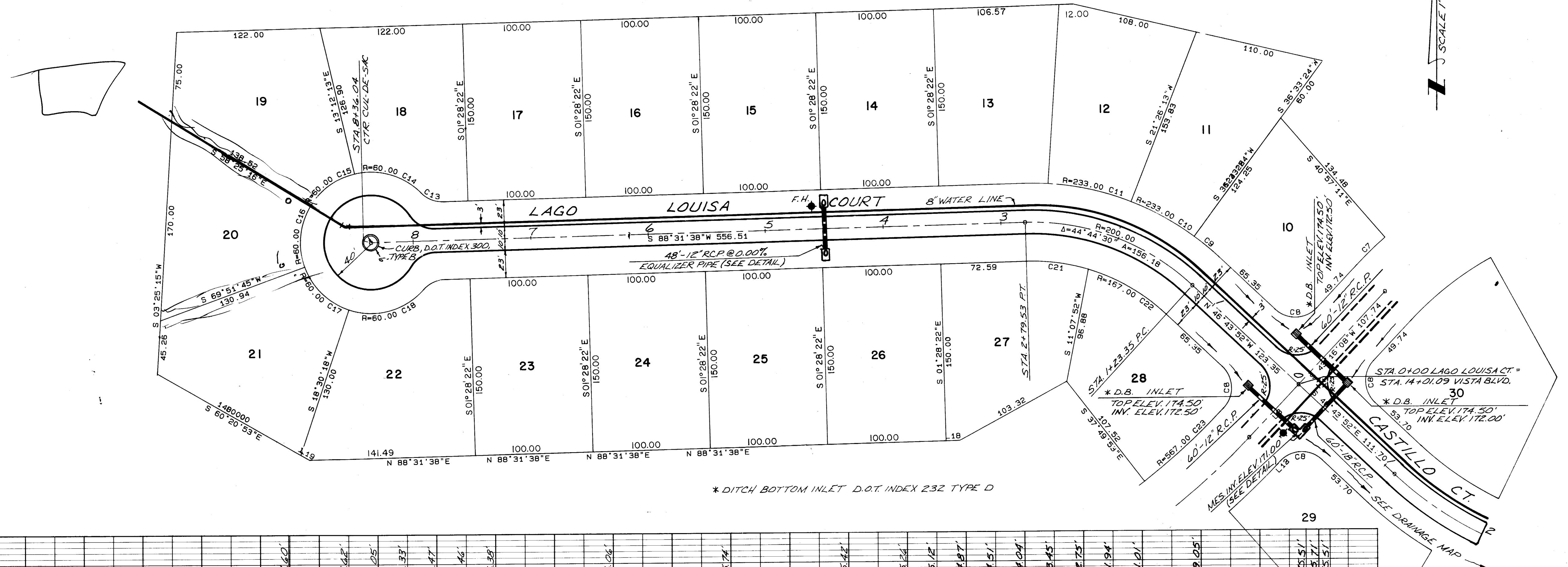


PLATE 1 PLAN PROFILE C.P.R. & R.E. STANDARD
DIETZGEN CORPORATION

AS BUILT PHASE I 49.

REVISION #	DATE	DESCRIPTION

durden & assoc., inc.
 123 north Sinclair Avenue
 P.O. Box 1245
 Tavares, Florida 32778-1245
 Phone: 904-343-5001
 Engineers, Planners, Surveyors, Landscape Architects

THE VISTAS
 LAGO LOUISA COURT & CASTILLO COURT

THE VISTAS
 LAGO LOUISA COURT & CASTILLO COURT
 AS BUILT
 12-28-88

SCALE: HORIZ. 1"=50' VERT. 1"=5'	SHEET: 8
DATE: 7-23-87	OF: 9
AS BUILT	
12-28-88	