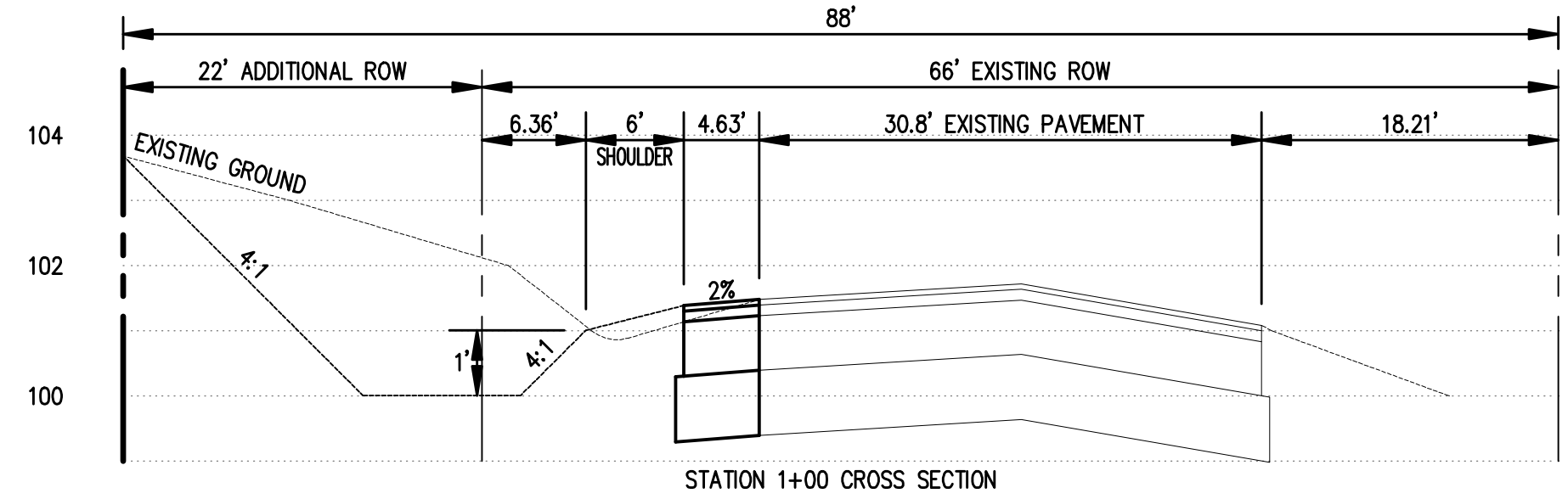
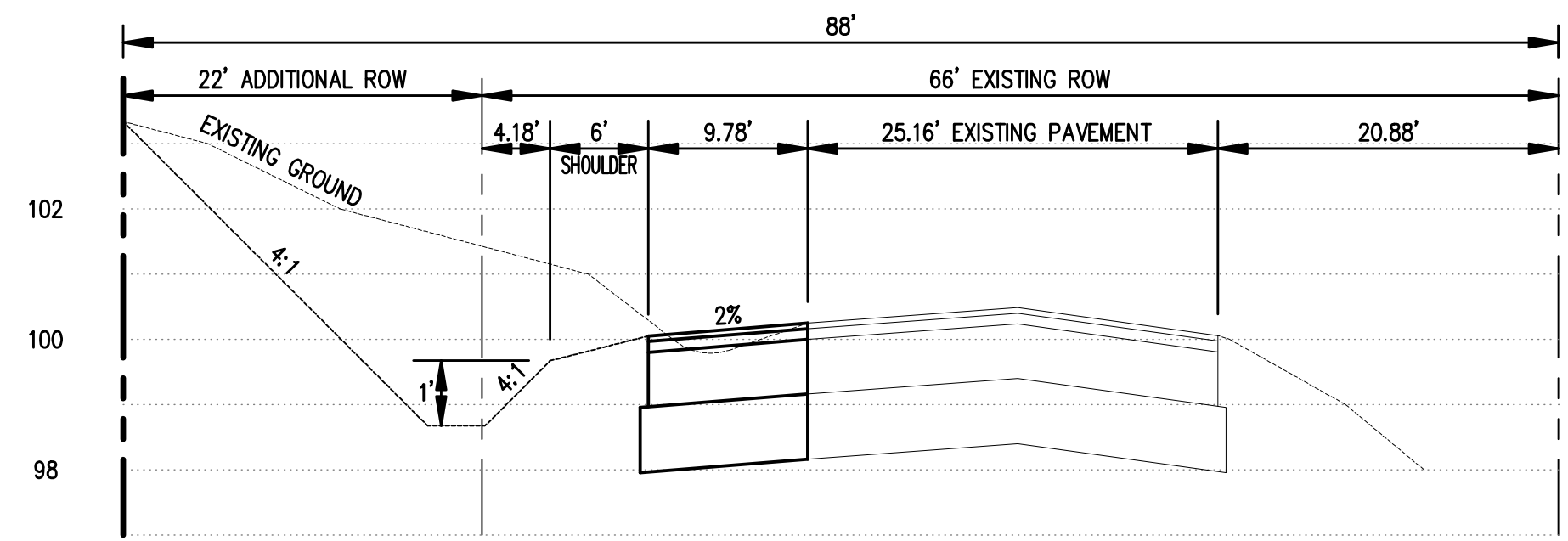


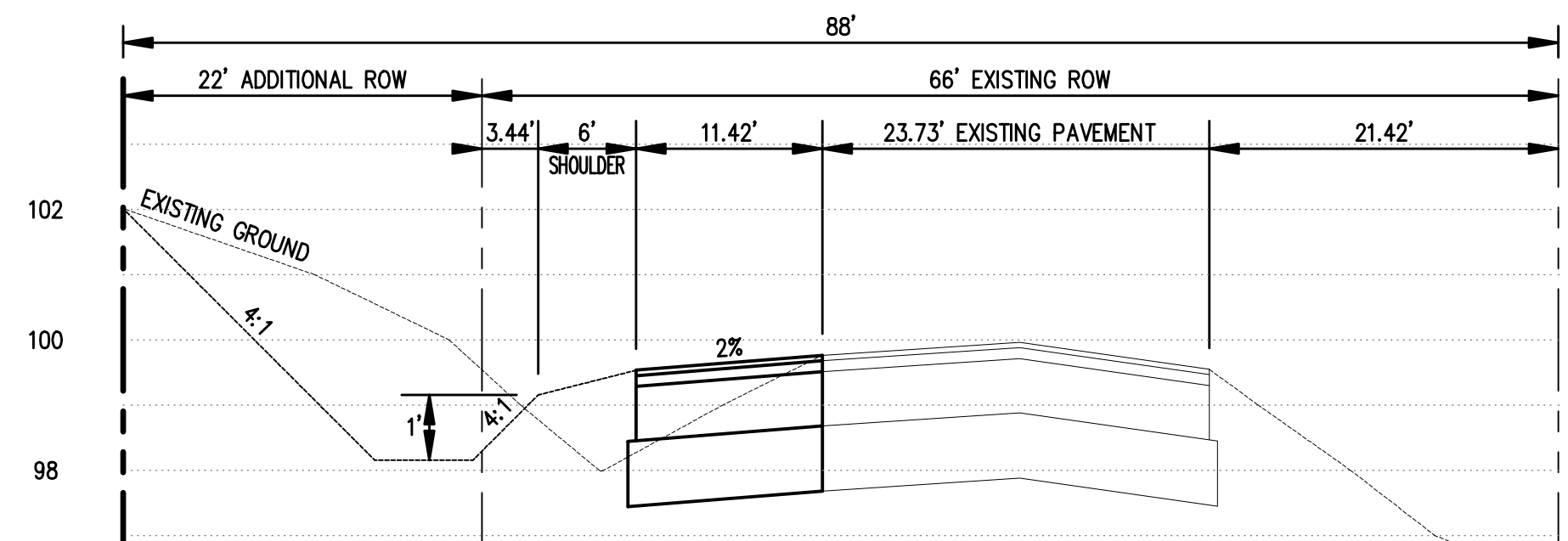
STATION 0+00 CROSS SECTION



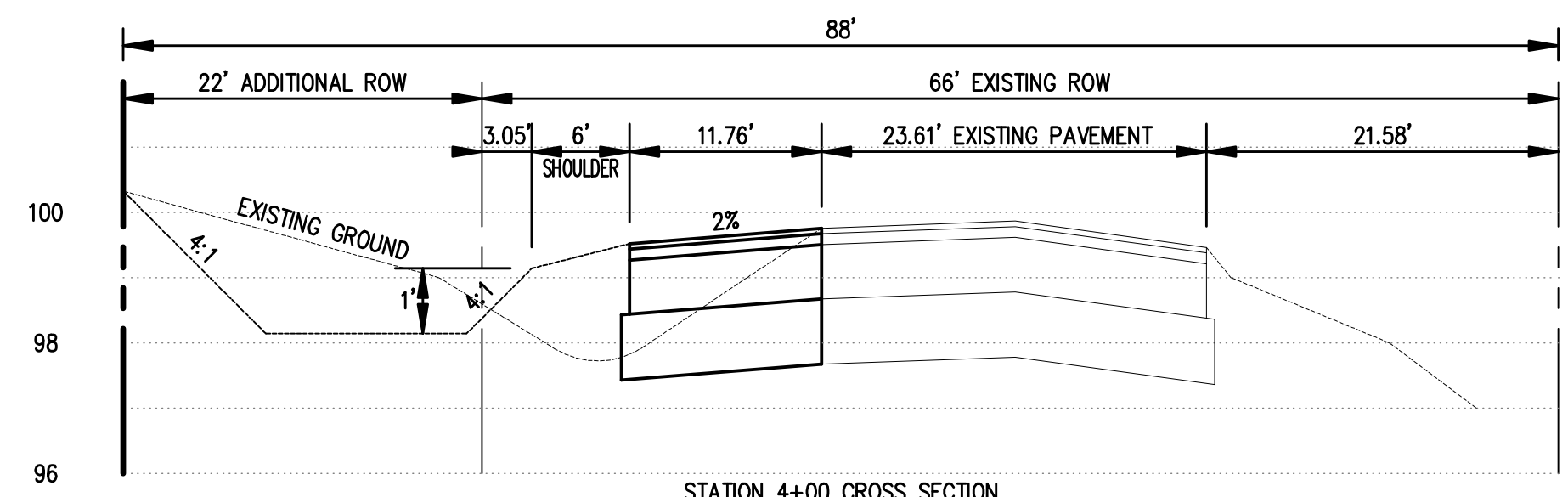
STATION 1+00 CROSS SECTION



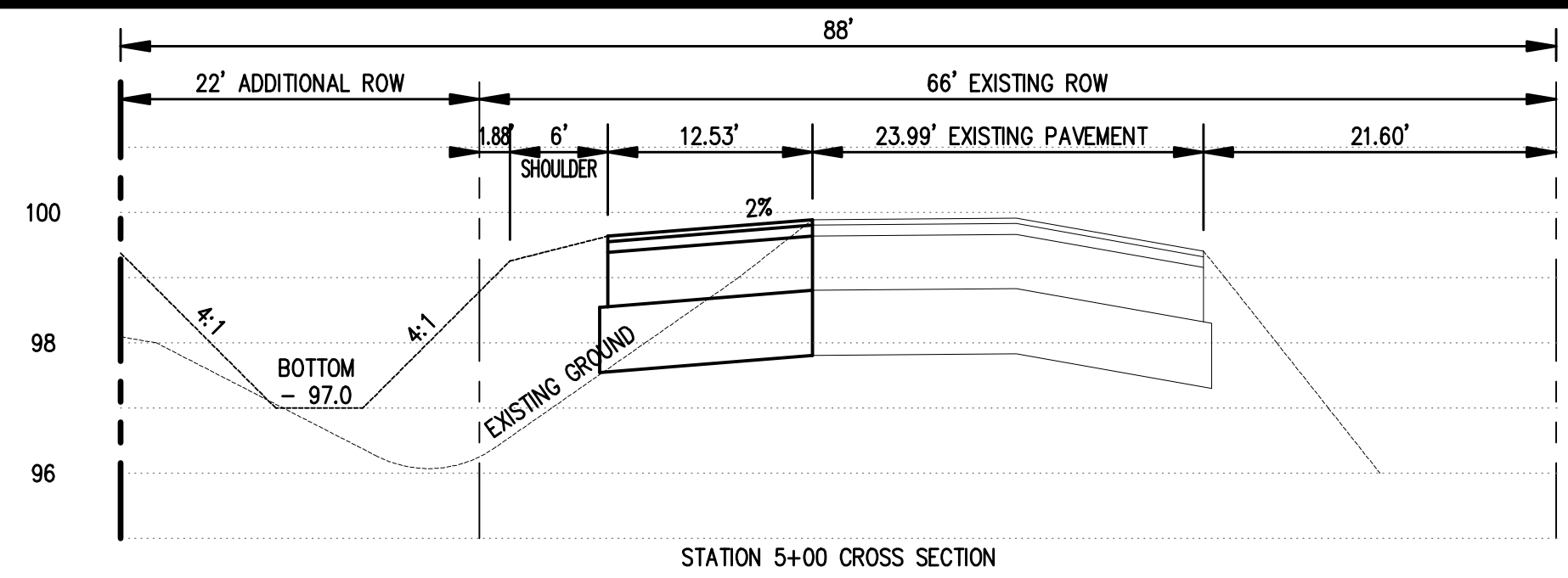
STATION 2+00 CROSS SECTION



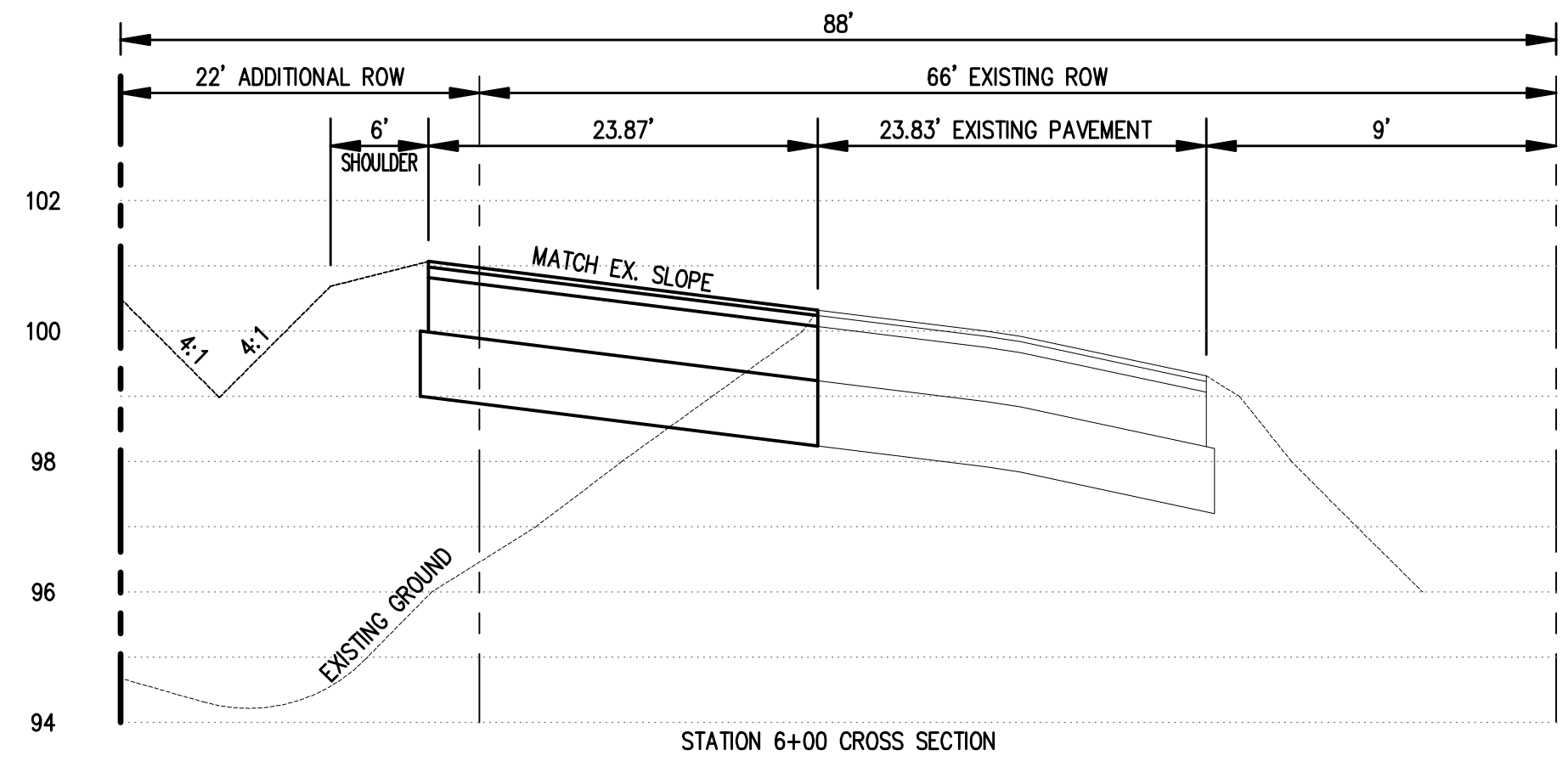
STATION 3+00 CROSS SECTION



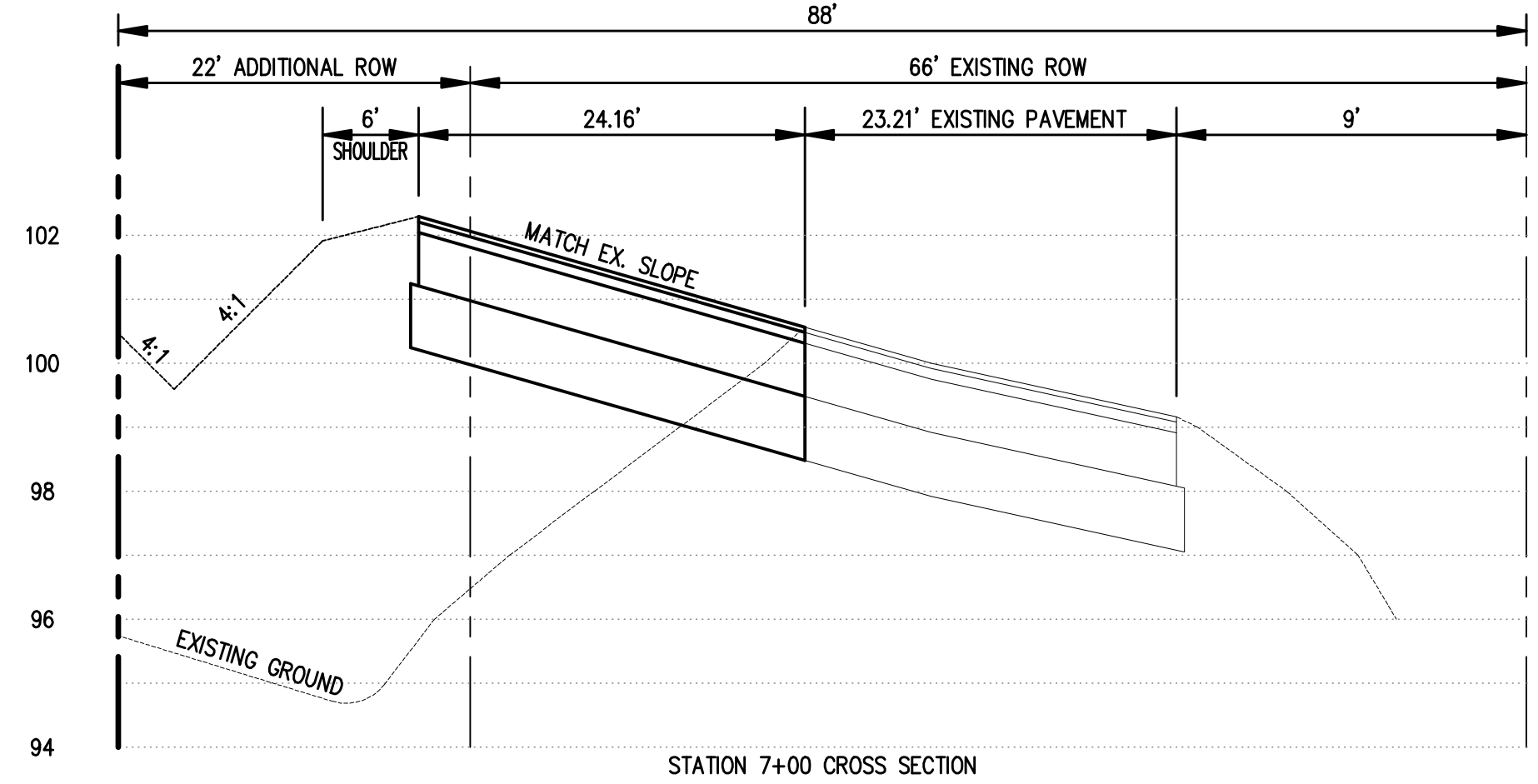
STATION 4+00 CROSS SECTION



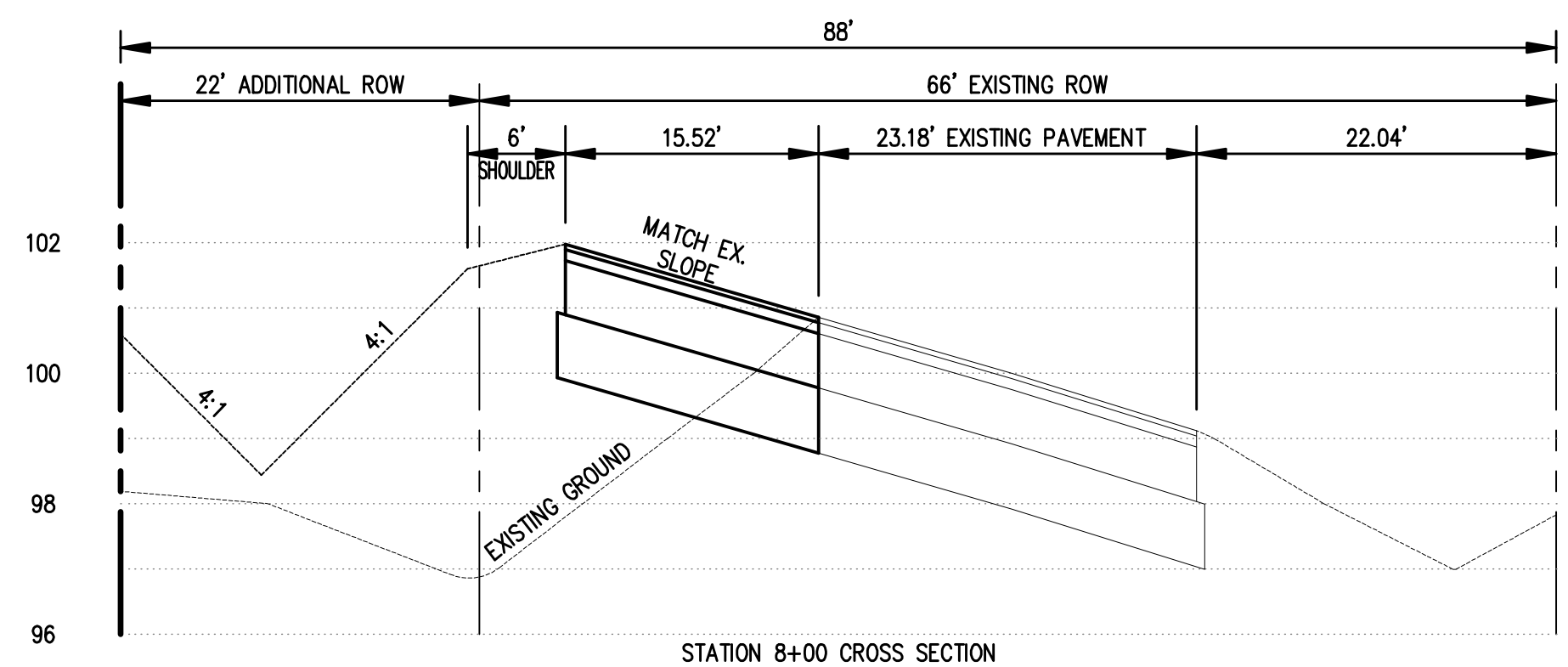
STATION 5+00 CROSS SECTION



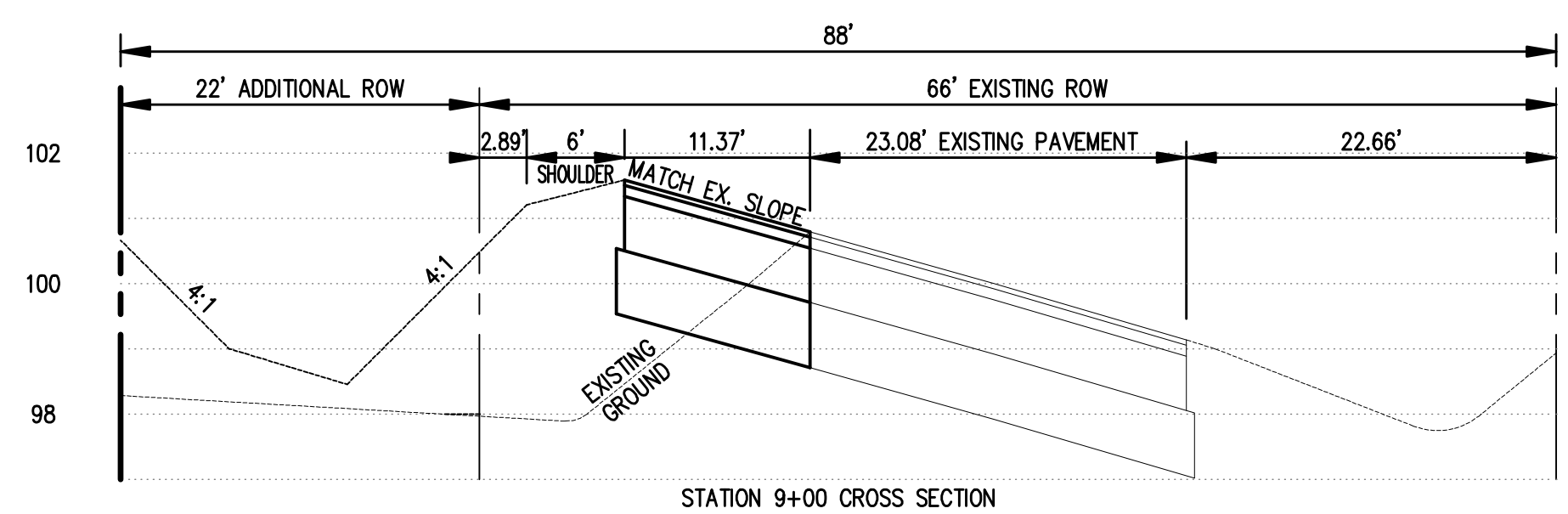
STATION 6+00 CROSS SECTION



STATION 7+00 CROSS SECTION

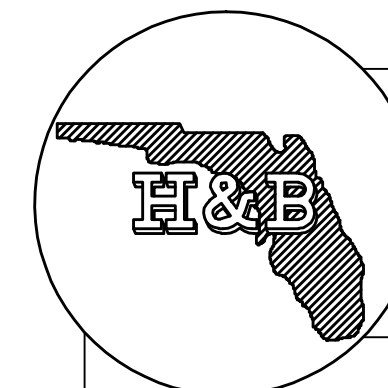


STATION 8+00 CROSS SECTION



STATION 9+00 CROSS SECTION

561 CROSS SECTIONS



H & B CONSULTING ENGINEERS, INC.
 Certificate of Authorization # 4829
 P.O. Box 520
 218 N. Florida Street - Suite 3
 Bushnell, Florida 33513
 Phone : (352) 793-2113

Lake Minneola Landings
 C.R. 561
 Groveland, FL 34711

REVISIONS	
10/15	Added Turn Lanes CR 561A
10/15	Listed lot No's. per Lake Co.
4/16	Lake County comments from 4-11-16

Drawn: WSR Checked: MZB
 Date: 06/16 Scale: as shown Sheet 11 of 18