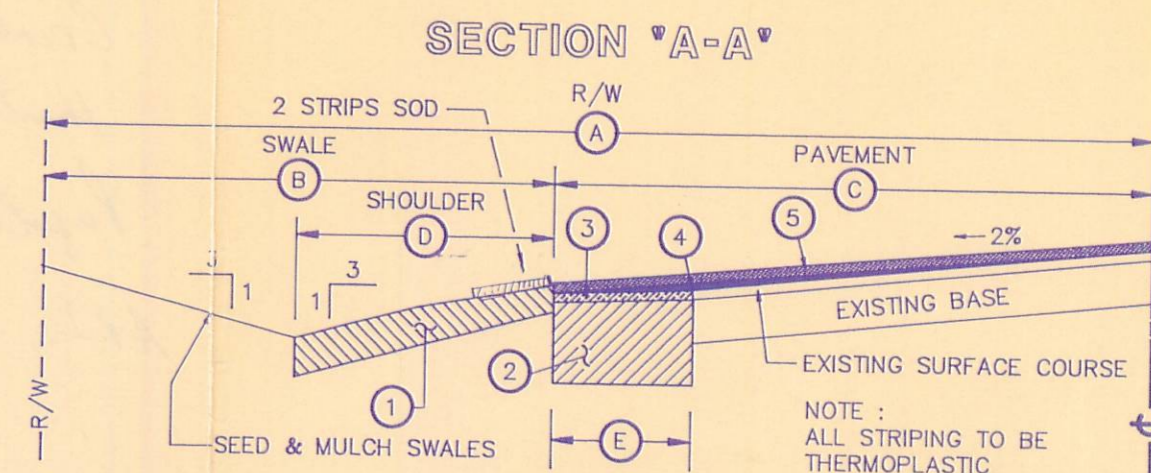


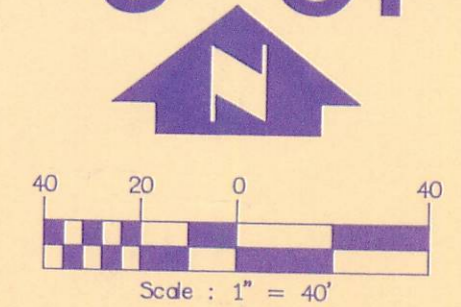
S-1
16667
16668
16669
16670
16671
16672
16673
16674
16675
16676
16677
16678
16679
16680
16681
16682
16683
16684
16685
16686
16687
16688
16689
16690
16691
16692
16693
16694
16695
16696
16697
16698
16699
16700



KEY	DISTANCE	COMMENT
A	30'	
B	32'	
C	18'	
D	8'	
E	6'	

KEY	THICKNESS	SPECIFICATIONS
1	8"	STABILIZED SHOULDER, 50 P.S.I., F.B.V.
2	1"	LIMEROCK, PLACED IN (2) 6" LIFTS
3	2"	S-1
4	VARIES	50# TYPE II LEVELING COURSE
5	1"	FC-4

PROJECT NO. 15-92 SHEET 3 OF 3



Locations Legend

— Sign	• Utility Pole
— Guy Wire	○ Light Pole
⊗ Fire Hydrant	∇ Gas Marker
⊠ Mitred End Section	⊞ Telephone Pedestal
⊞ Valve	⊞ Transformer
⊞ Headwall	○ Manhole
⊞ Water Meter	

Monumentation Legend

○ = Iron Pipe	● = P.I.C. Nail
⊙ = Iron Pin	⊗ = Etched "X"
⊠ = 4 X 4 Cm.	⊞ = Angle Iron
○ = Oct. Cm.	⊞ = R.R. Spike
⊙ = Nail & Disk	⊙ = Axe
⊙ = SOD Nail	⊙ = Wood Post
⊙ = Rnd. Cm.	

Monuments Found Unless Otherwise Noted.

- Standard Notes**
- 1) Sod all disturbed areas in R.O.W.
 - 2) All construction to meet the standards and specifications of Lake County, Florida and the F.D.D.T. standards specifications for road & bridge construction (most recent addition).
 - 3) Use thermoplastic striping w/reflective buttons throughout the project.

LAKE COUNTY PUBLIC WORKS DEPARTMENT
ENGINEERING DIVISION
123 N. SINCLAIR AVE. TAVARES, FLORIDA 32778

**CR 439 & CR 42
Intersection Locations**

DRAWN — M.K.T./R.A.J. — February '92	S. — 35	T. — 18	R. — 27
SURVEYED — S.S. — 01-30-92	CAD NO. — 92016L1.DWG		
FIELD BOOK — 001	PAGE — 118-122	SHEET 1	OF 1