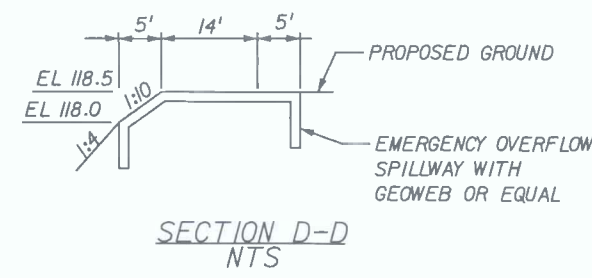
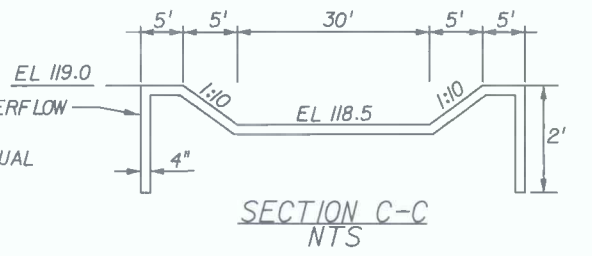
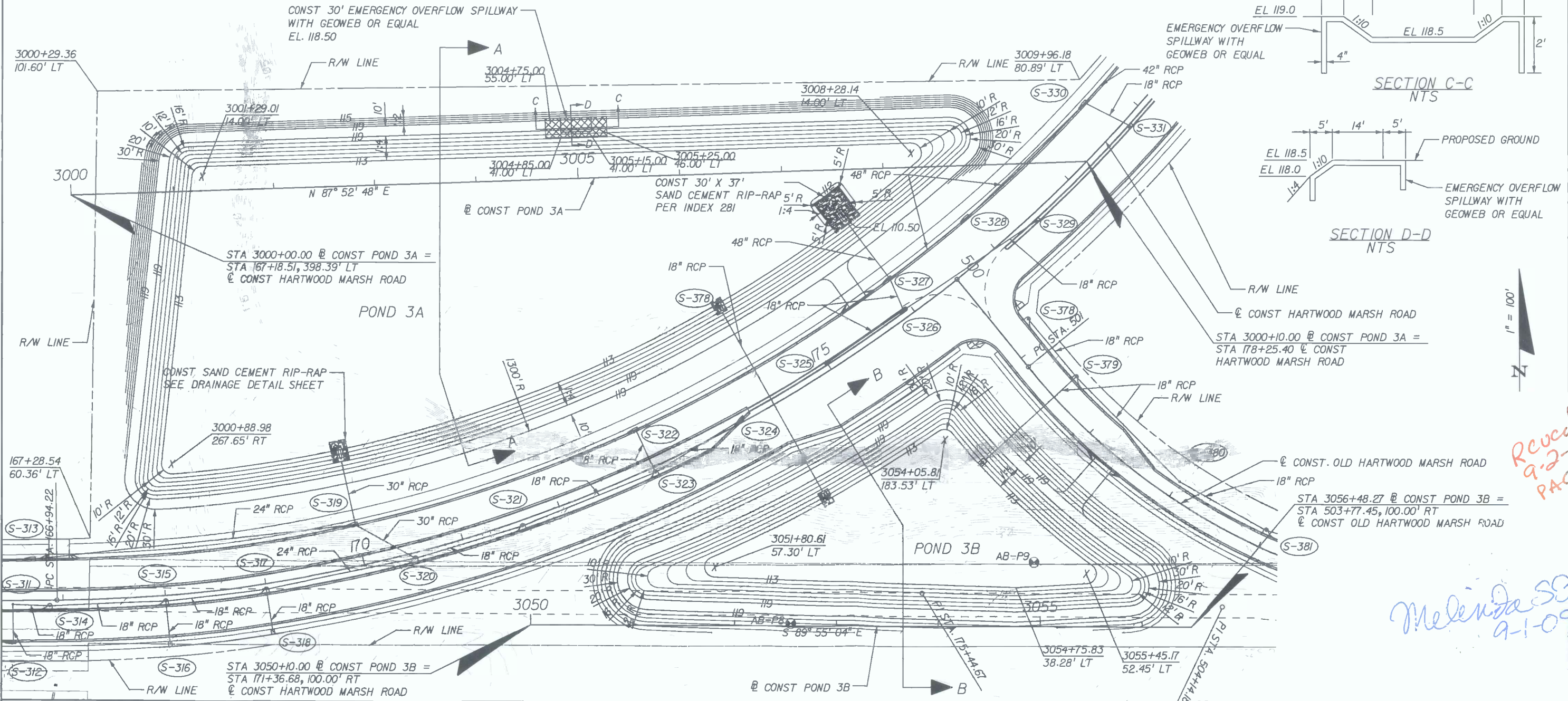


POND 3A	
① 25 YR DHW/24 HR	EL. 116.50
② 25 YR DHW/96 HR	EL. 118.23

POND 3B	
① 25 YR DHW/24 HR	EL. 116.50
② 25 YR DHW/96 HR	EL. 118.23

- NOTES:
1. AVERAGE ESTIMATED SEASONAL HIGH WATER TABLE ELEVATION ∇ (EL 103.80)
 2. AVERAGE ENCOUNTERED WATER TABLE ∇ (IGNE)
 3. APPROXIMATE LOCATION OF THE BORING \bullet
 4. PRIOR TO SODDING THE POND, REMOVE ALL CONSTRUCTION MATERIAL THAT MAY HAVE DEPOSITED IN THE POND. RAKE AND LOOSEN POND BOTTOM FOR OPTIMAL INFILTRATION.
 5. MUCK GROWN SOD SHOULD NOT BE USED IN THE POND BOTTOM.



1" = 100'

Revised
9-2-09
PAC

Melinda S. Fischl
9-1-09

DATE	BY	DESCRIPTION

HNTB
 HNTB CORPORATION
 300 PRIMERA BLVD,
 SUITE 200
 LAKE MARY, FL 32746
 (407) 805-0355
 CERT. OF AUTH. NO. 6500

ENGINEER OF RECORD: MELINDA S. FISCHL, P.E.
 FL. REGISTRATION NO. 68406

LAKE COUNTY
 FLORIDA

HARTWOOD MARSH
 ROAD - PHASE II

POND DETAIL SHEET
 PONDS 3A & 3B

SHEET NO.
103

AB-P63

WETLAND LINE
(AS SURVEYED FOR HERITAGE ROYALE
SUBDIVISION, SJRWMD PERMIT
#4-069-95265-3)

WATER EDGE
(AS SURVEYED FOR HERITAGE ROYALE
SUBDIVISION, SJRWMD PERMIT
#4-069-95265-3)

WETLAND LINE
(AS SURVEYED FOR HERITAGE ROYALE
SUBDIVISION, SJRWMD PERMIT
#4-069-95265-3)

WATER EDGE
(AS SURVEYED FOR HERITAGE ROYALE
SUBDIVISION, SJRWMD PERMIT
#4-069-95265-3)

SOD LIMITS
6' VARIES (40' - 59') 4' VARIES (27' - 37')

± 100-YR 100 FT.
± 10-YR 96.9 FT.

EL. 92.0
EL. 90.0
POND BOTTOM
EL. 92.0
EL. 90.0

SECTION A-A
NTS

POND 5

FLOOD PLAIN
COMPENSATION POND

267+10.00
136.13' LT

267+10.00
96.87' LT

268+90.00
126.32' LT

267+10.00
136.13' LT

Melinda Stahl
9-1-09

AB-116

AB-114

266

267

268

269

270

CONST. HARTWOOD MARSH ROAD



REVISIONS		
DATE	BY	DESCRIPTION

HNTB

HNTB CORPORATION
300 PRIMERA BLVD,
SUITE 200
LAKE MARY, FL 32746
(407) 805-0355
CERT. OF AUTH. NO. 6500

ENGINEER OF RECORD: MELINDA S. FISCHL, P.E.
FL. REGISTRATION NO. 68406



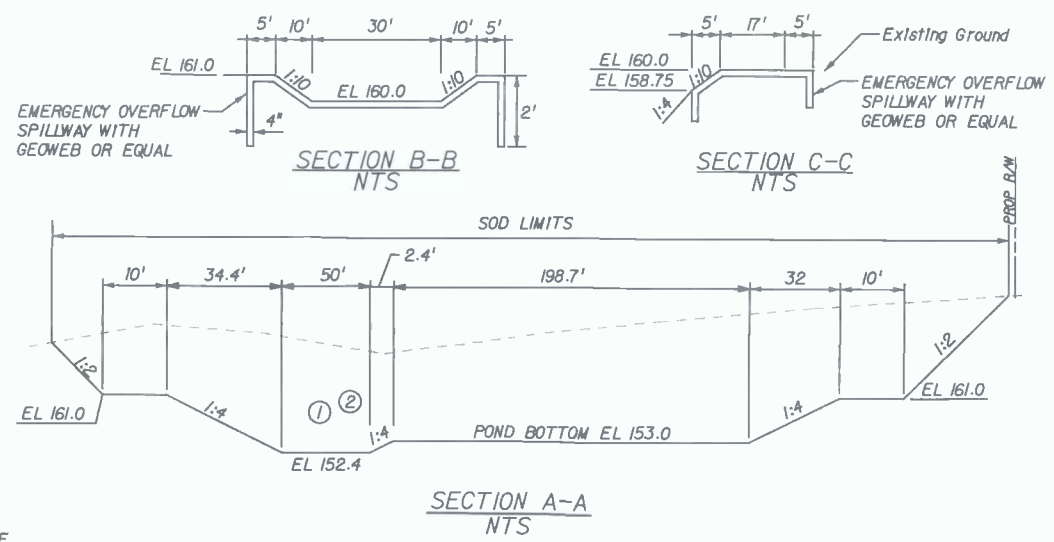
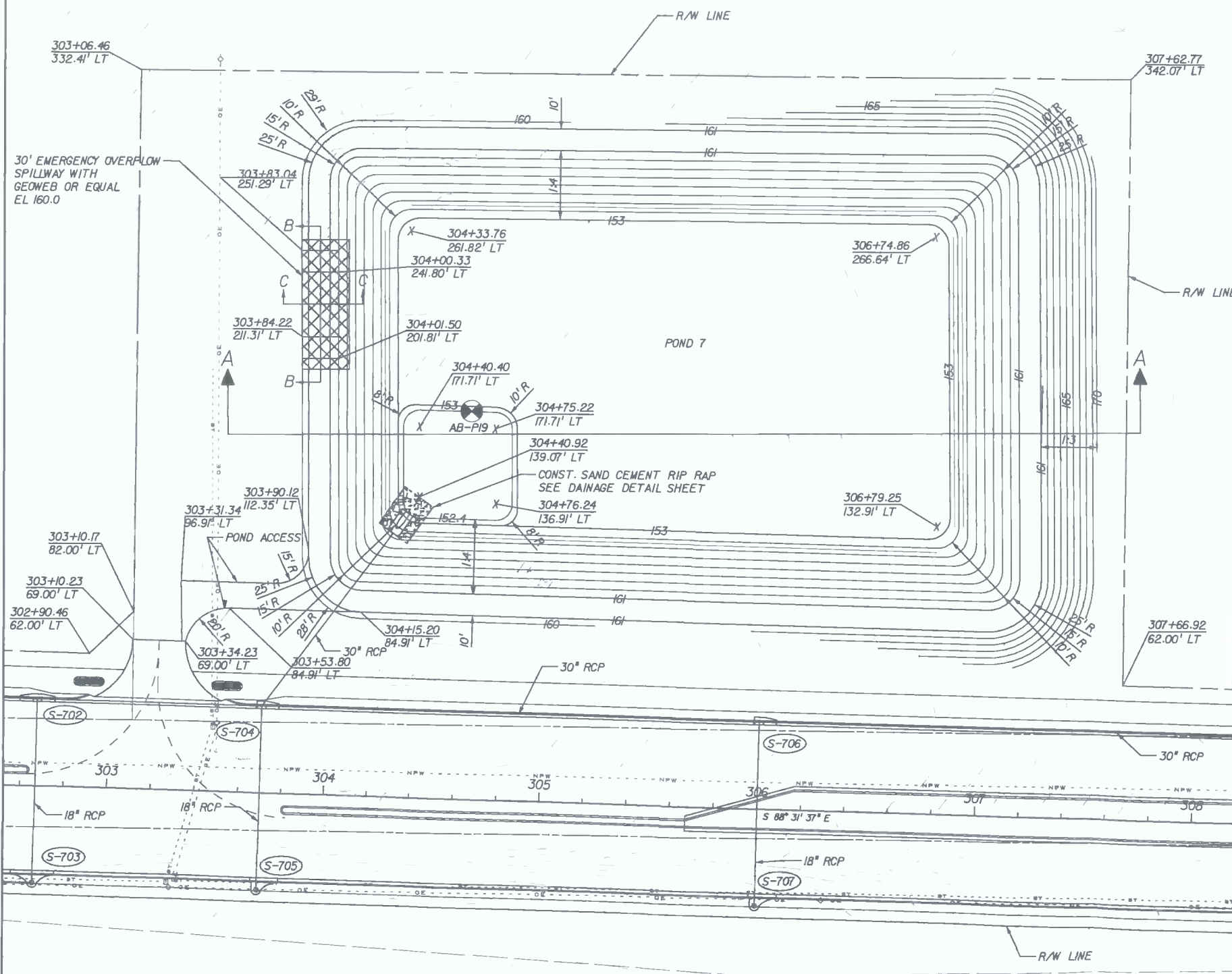
LAKE COUNTY
FLORIDA

HARTWOOD MARSH
ROAD - PHASE II

FLOOD PLAIN COMPENSATION
BASIN 5

SHEET
NO.

12+
34



POND 7	
① 25 YR DHW/24 HR	EL. 157.70
② 25 YR DHW/96 HR	EL. 159.90

- NOTES:
1. AVERAGE ESTIMATED SEASONAL HIGH WATER TABLE ELEVATION ∇ (EL 145.39)
 2. AVERAGE ENCOUNTERED WATER TABLE ∇ (GNE)
 3. APPROXIMATE LOCATION OF THE BORING \odot
 4. PRIOR TO SODDING THE POND, REMOVE ALL CONSTRUCTION MATERIAL THAT MAY HAVE DEPOSITED IN THE POND. RAKE AND LOOSEN POND BOTTOM FOR OPTIMAL INFILTRATION.
 5. MUCK GROWN SOD SHOULD NOT BE USED IN THE POND BOTTOM.

Melinda Stahl
9-1-09

REVISIONS	
DATE	DESCRIPTION

HNTB
 HNTB CORPORATION
 300 PRIMERA BLVD,
 SUITE 200
 LAKE MARY, FL 32746
 (407) 805-0355
 CERT. OF AUTH. NO. 6500
 ENGINEER OF RECORD: MELINDA S. FISCHL, P.E.
 FL. REGISTRATION NO. 68406

LAKE COUNTY
 FLORIDA

**HARTWOOD MARSH
 ROAD - PHASE II**

**POND DETAIL SHEET
 POND 7**

SHEET NO.
 106