

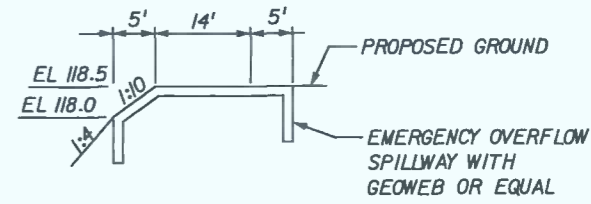
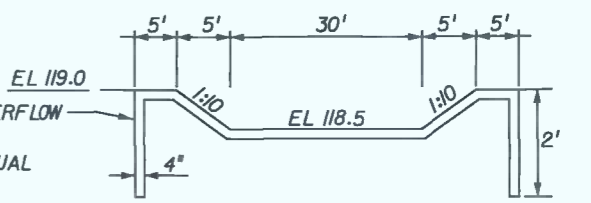
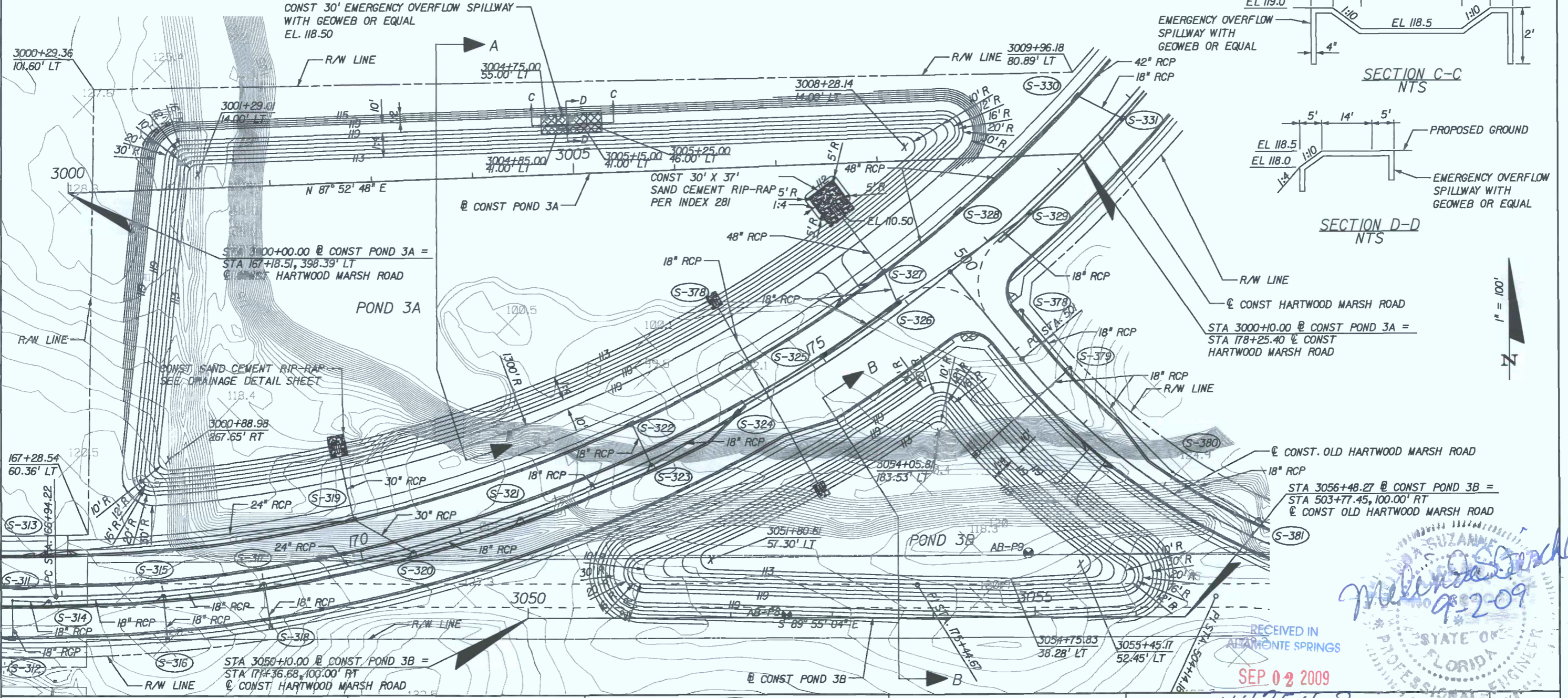
POND 3A	
① 25 YR DHW/24 HR	EL. 116.50
② 25 YR DHW/96 HR	EL. 118.23

SECTION A-A
NTS

SECTION B-B
NTS

POND 3B	
① 25 YR DHW/24 HR	EL. 116.50
② 25 YR DHW/96 HR	EL. 118.23

- NOTES:
1. AVERAGE ESTIMATED SEASONAL HIGH WATER TABLE ELEVATION ∇ (EL 103.80)
 2. AVERAGE ENCOUNTERED WATER TABLE \blacktriangledown (GNE)
 3. APPROXIMATE LOCATION OF THE BORING \odot
 4. PRIOR TO SODDING THE POND, REMOVE ALL CONSTRUCTION MATERIAL THAT MAY HAVE DEPOSITED IN THE POND. RAKE AND LOOSEN POND BOTTOM FOR OPTIMAL INFILTRATION.
 5. MUCK GROWN SOD SHOULD NOT BE USED IN THE POND BOTTOM.



RECEIVED IN
ALAMONTE SPRINGS
SEP 02 2009
114354-2
REGISTRATION INFORMATION MGT
FLORIDA
PROFESSIONAL ENGINEER
MELINDA S. FISCHL
9-2-09

DATE	BY	DESCRIPTION

HNTB
HNTB CORPORATION
300 PRIMERA BLVD,
SUITE 200
LAKE MARY, FL 32746
(407) 805-0355
CERT. OF AUTH. NO. 6500

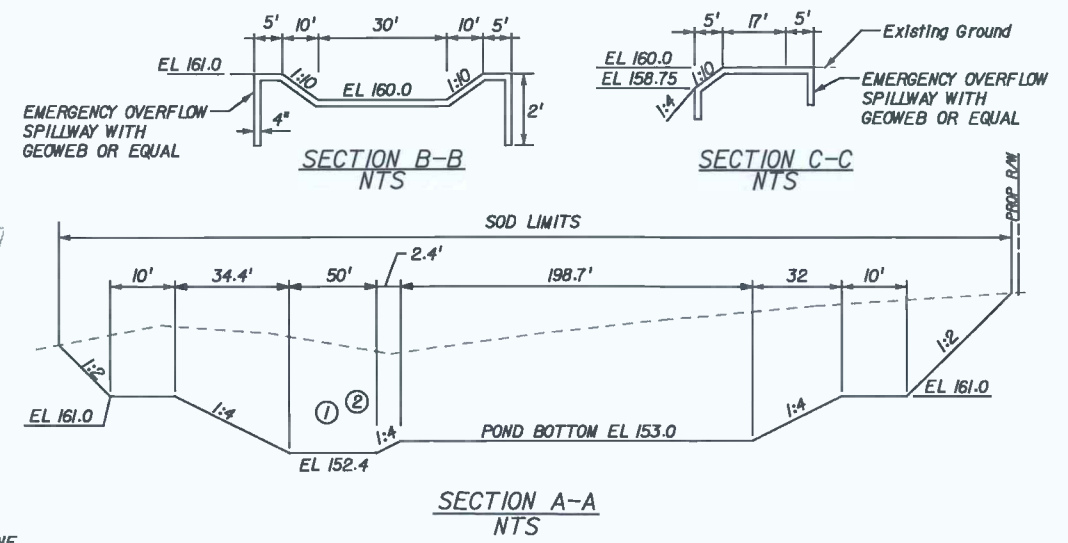
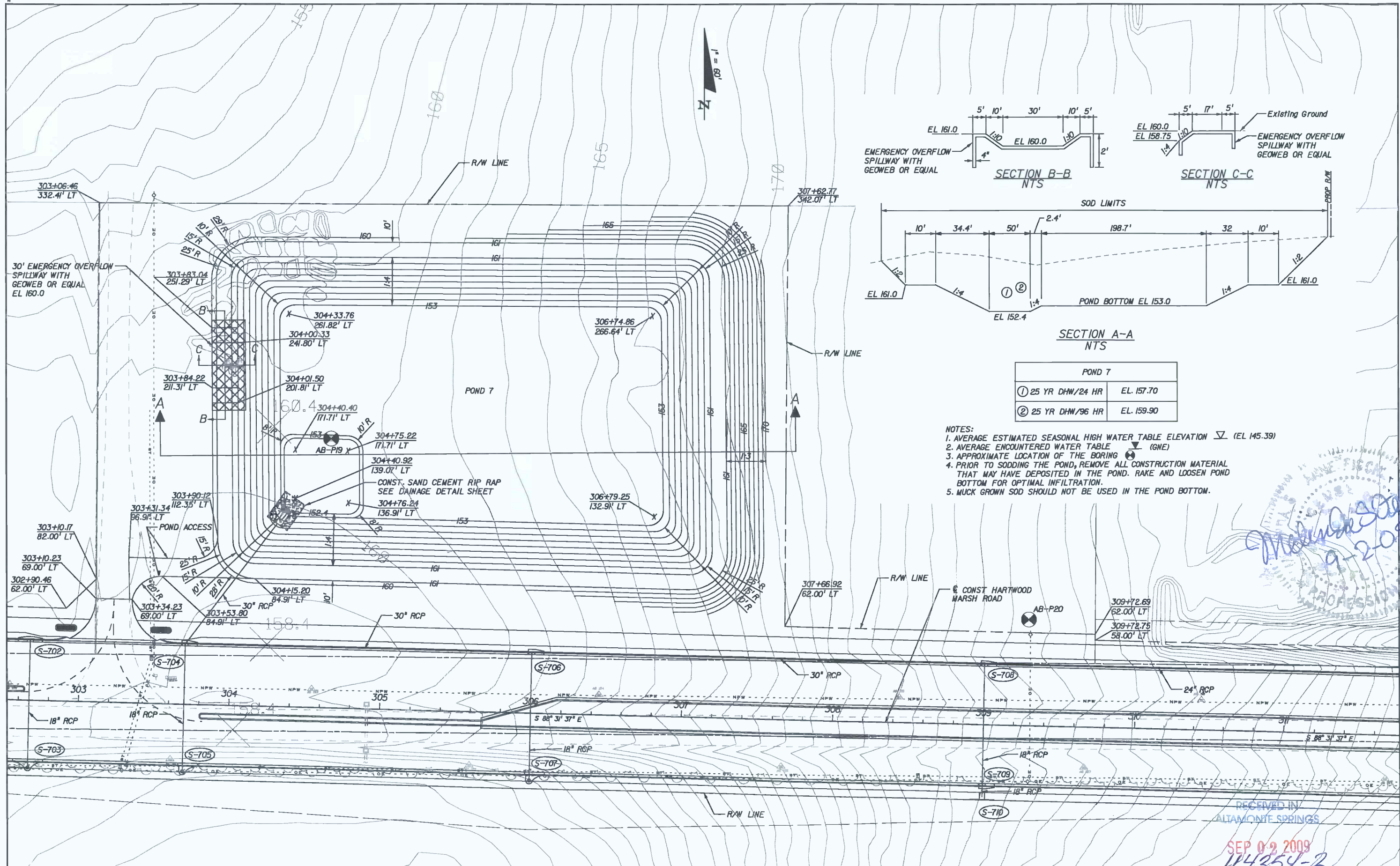
ENGINEER OF RECORD: MELINDA S. FISCHL, P.E.
FL. REGISTRATION NO. 68406



HARTWOOD MARSH ROAD - PHASE II

POND DETAIL SHEET
POND 3A & 3B

SHEET NO.
96A



POND 7	
① 25 YR DHW/24 HR	EL. 157.70
② 25 YR DHW/96 HR	EL. 159.90

- NOTES:
1. AVERAGE ESTIMATED SEASONAL HIGH WATER TABLE ELEVATION ∇ (EL 145.39)
 2. AVERAGE ENCOUNTERED WATER TABLE ∇ (GNE)
 3. APPROXIMATE LOCATION OF THE BORING \odot
 4. PRIOR TO SODDING THE POND, REMOVE ALL CONSTRUCTION MATERIAL THAT MAY HAVE DEPOSITED IN THE POND. RAKE AND LOOSEN POND BOTTOM FOR OPTIMAL INFILTRATION.
 5. MUCK GROWN SOD SHOULD NOT BE USED IN THE POND BOTTOM.

Melinda S. Fischl
 9-2-09
 PROFESSIONAL ENGINEER

DATE	BY	REVISIONS DESCRIPTION

HNTB
 HNTB CORPORATION
 300 PRIMERA BLVD,
 SUITE 200
 LAKE MARY, FL 32746
 (407) 805-0355
 CERT. OF AUTH. NO. 6500

ENGINEER OF RECORD: MELINDA S. FISCHL, P.E.
 FL. REGISTRATION NO. 68406



**HARTWOOD MARSH
 ROAD - PHASE II**

POND DETAIL SHEET
 REGULATORY PERMITS DIVISION MGT.

SHEET NO.
 99