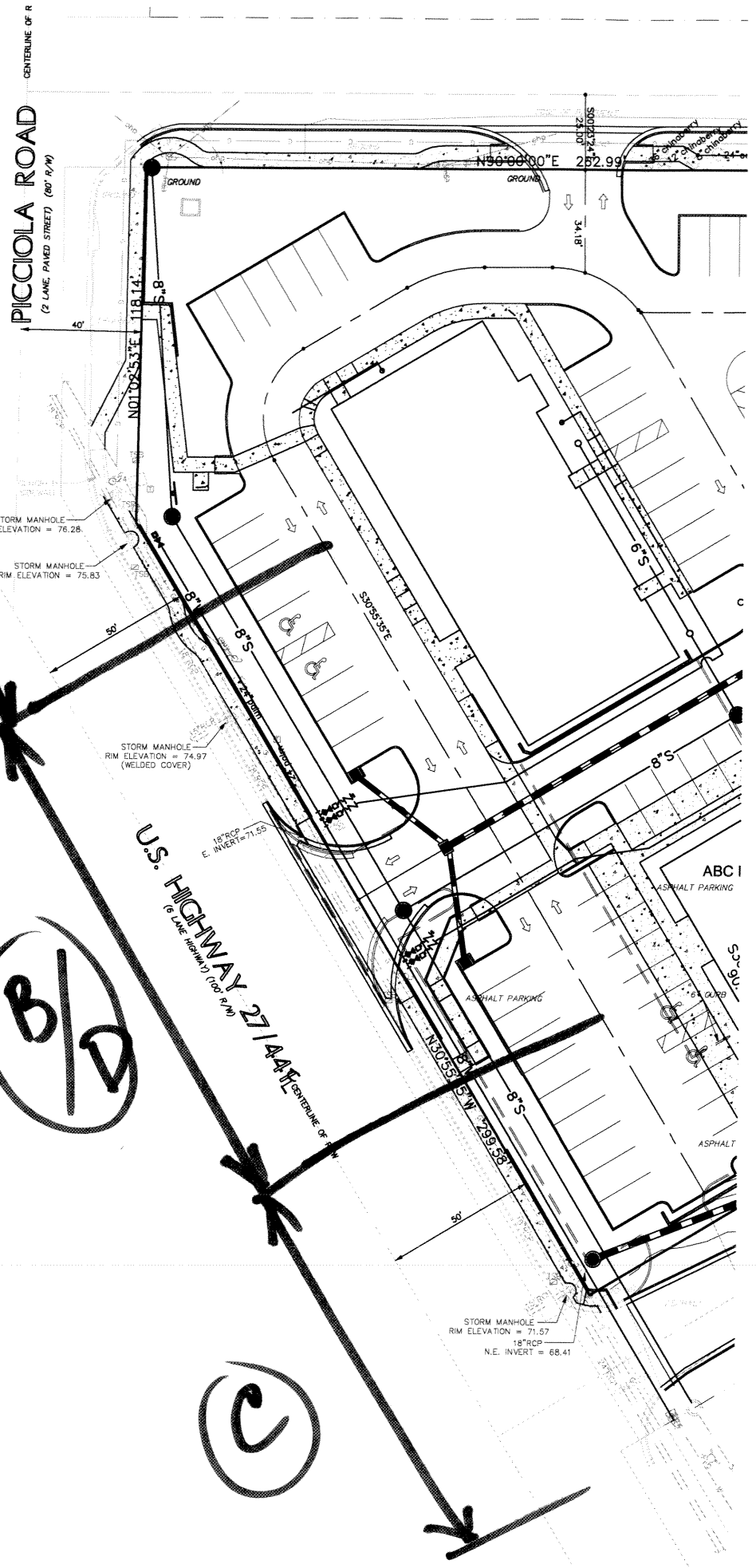


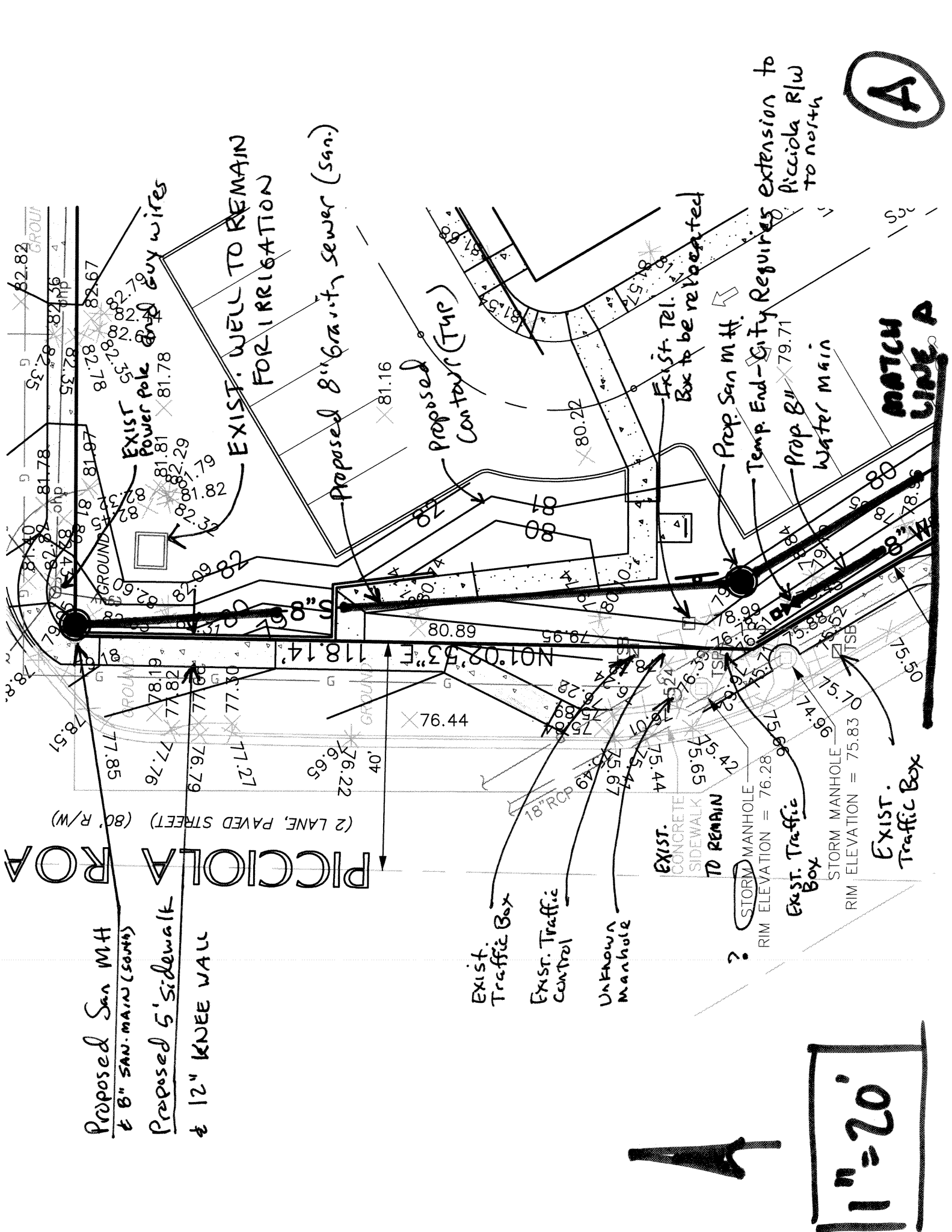


**A**

**B/D**

**C**

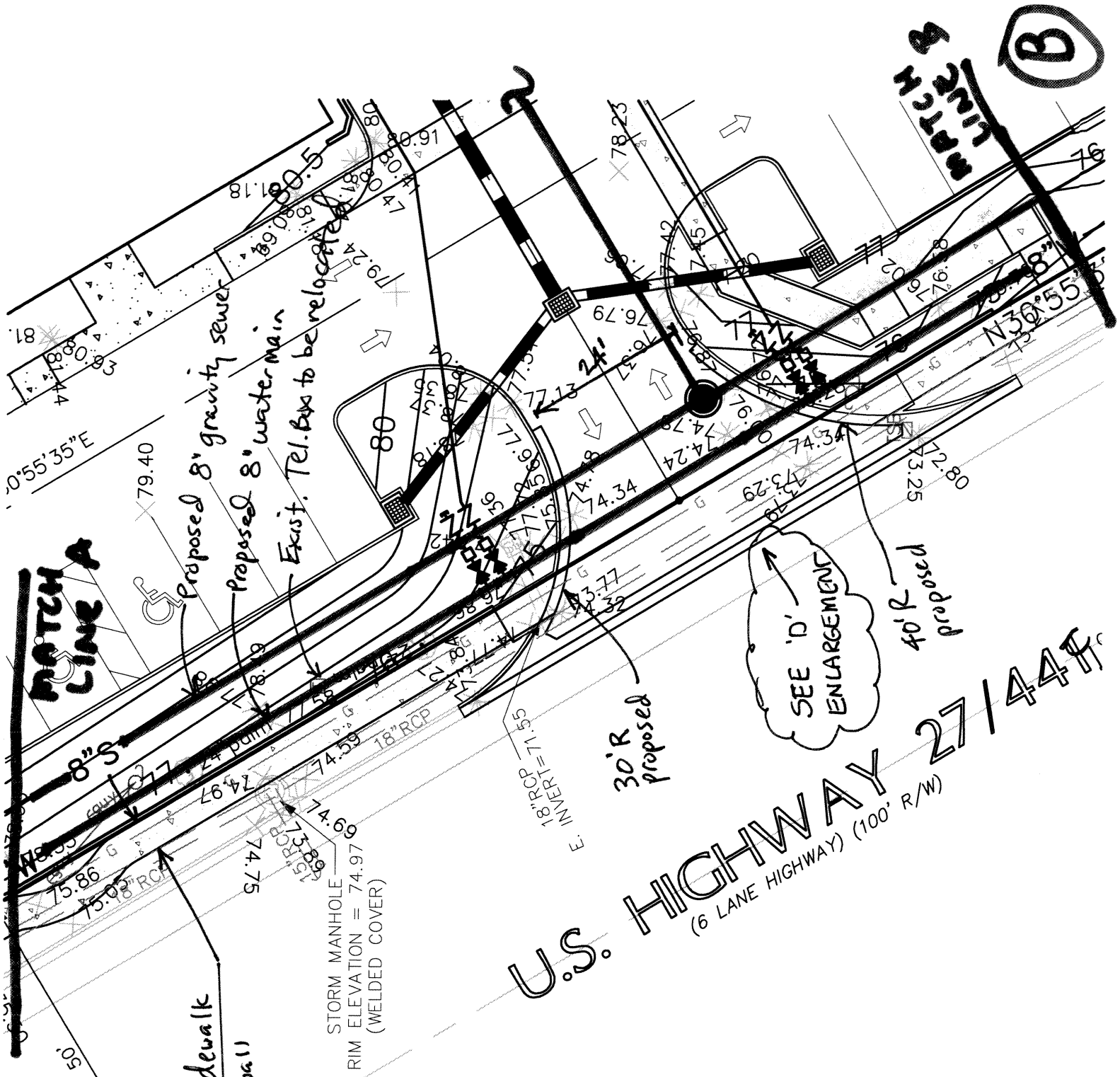




**A**



**1" = 20'**



**MATCH LINE A**

**MATCH LINE B**

**(B)**

Proposed 8" gravity sewer  
 Proposed 8" water main  
 Exist. Tel. Box to be relocated

SEE 'D' ENLARGEMENT

**U.S. HIGHWAY 27/44**  
 (6 LANE HIGHWAY) (100' R/W)

Proposed 5' sidewalk  
 & 12" knee wall

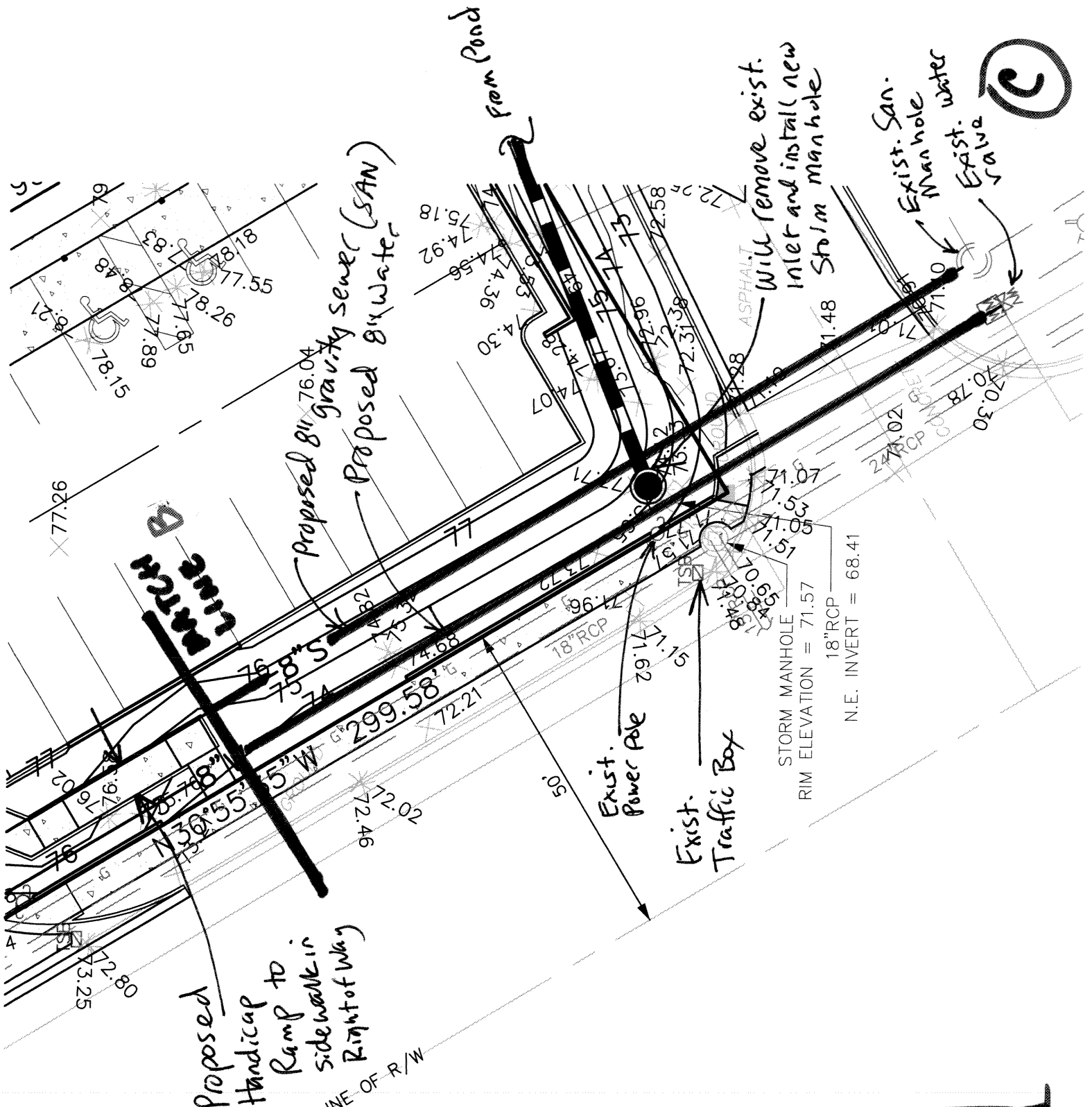
STORM MANHOLE  
 RIM ELEVATION = 74.97  
 (WELDED COVER)

30" R proposed

40" R proposed

**A**

**1" = 20'**



Proposed Handicap Ramp to sidewalk in Right of Way

14' CENTERLINE OF R/W

A

1" = 20'

Proposed 818" gravity sewer (SAN)  
Proposed 8" water

from Pond

Will remove exist. Inlet and install new Storm manhole

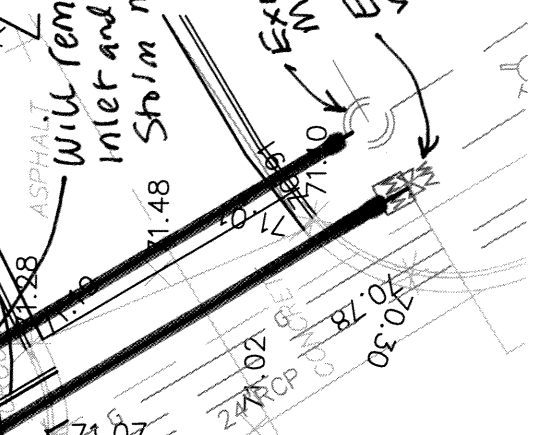
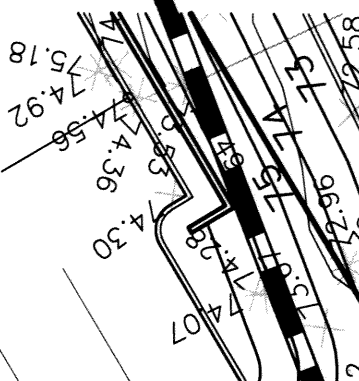
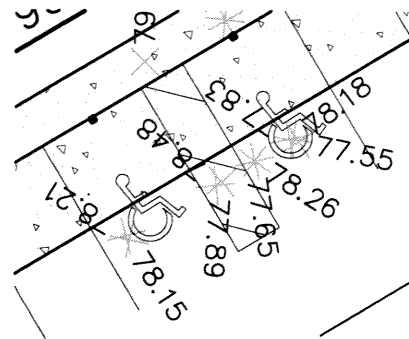
Exist. San. Manhole  
Exist. water Manhole

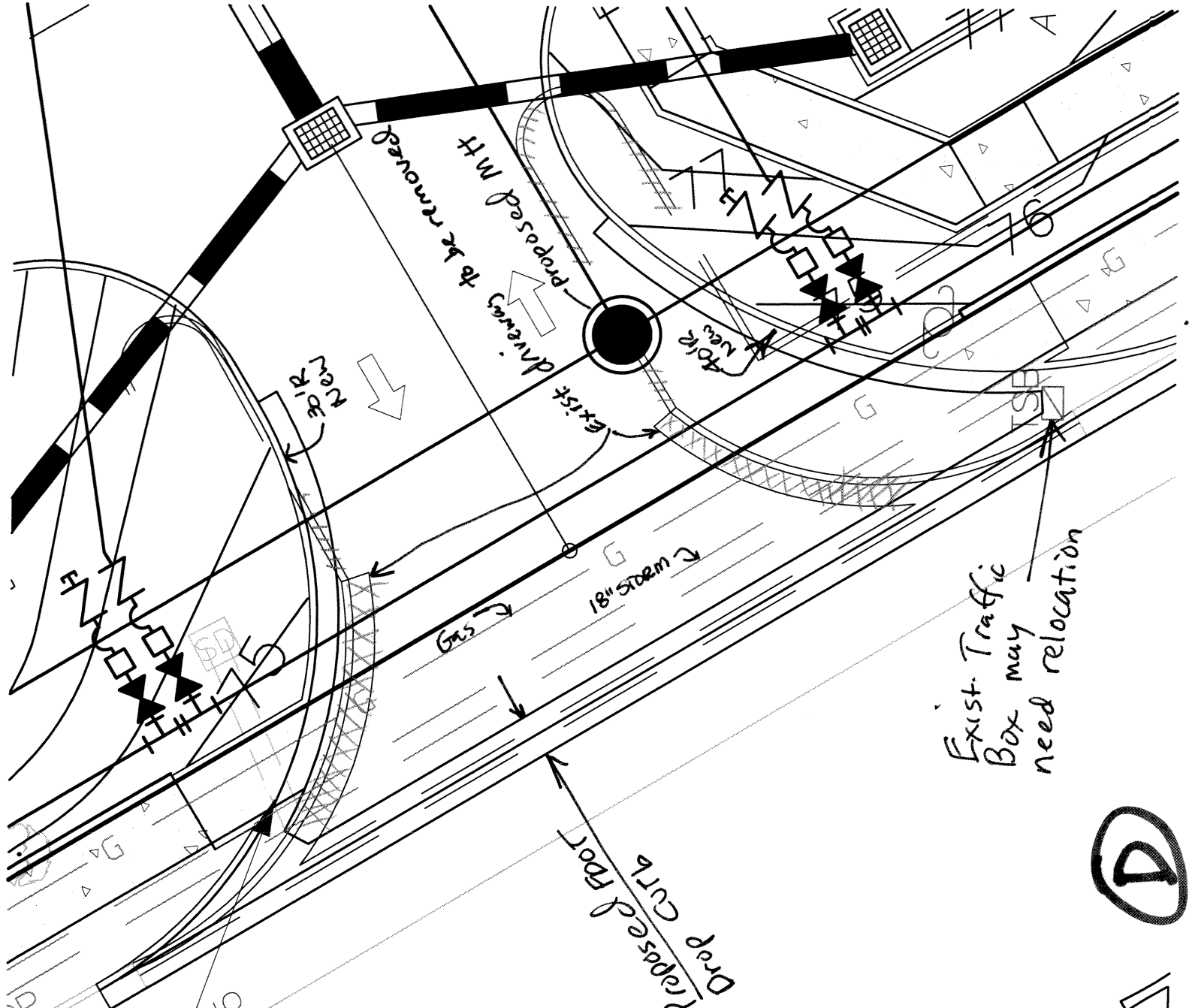
(C)

Exist. Power Pole

Exist. Traffic Box

STORM MANHOLE  
RIM ELEVATION = 71.57  
18" RCP  
N.E. INVERT = 68.41





Exist. Traffic  
Box may  
need relocation

INVERT = 1.55  
18" RCP = 1.55

**HIGHWAY 27**  
(6 LANE HIGHWAY) (100' R/W)

↑

1" = 10'

D