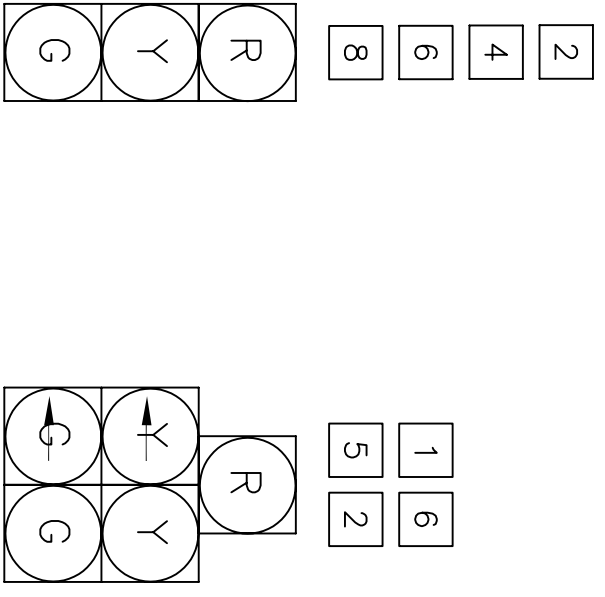


SEE SHEET T-6 FOR INTERNALLY ILLUMINATED STREET NAME SIGN DETAILS.



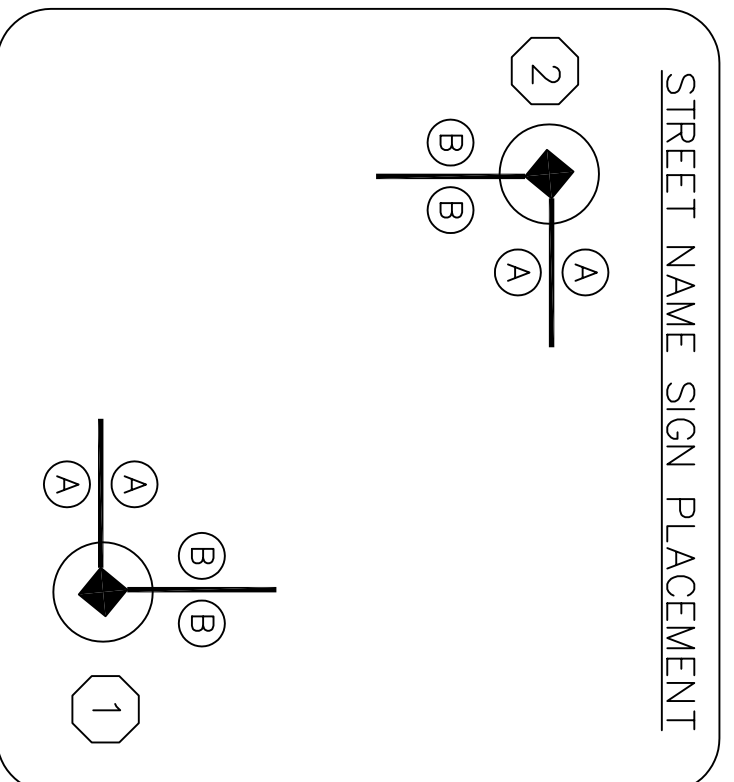
1-WAY, 3-SECT.
12" STD.
650-51-311 6 AS

1-WAY, 5-SECT.
12" STD.
650-51-511 2 AS

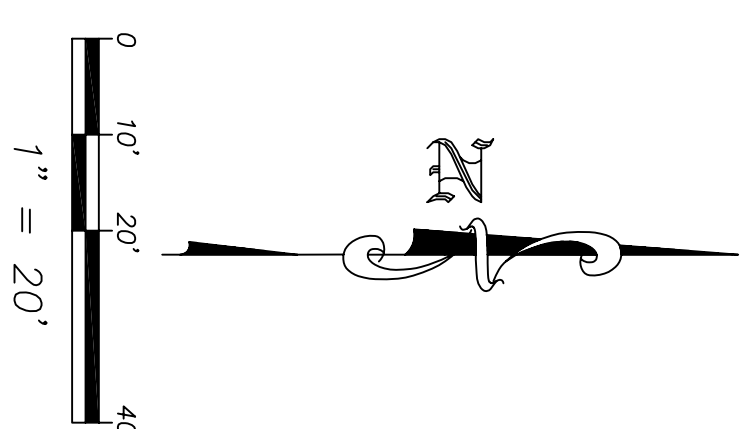
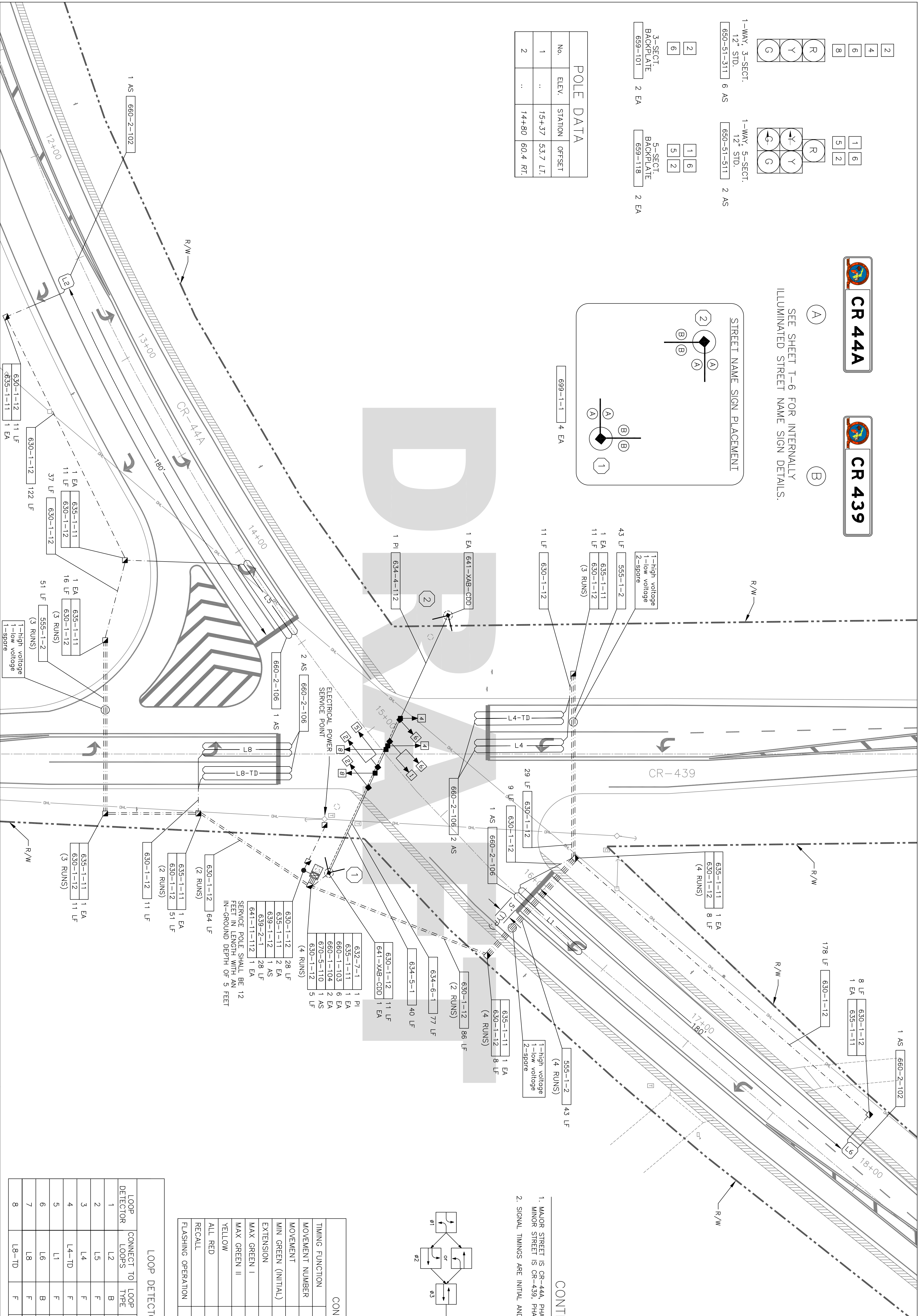
3-SECT.
BACKPLATE
659-101 2 EA

5-SECT.
BACKPLATE
659-118 2 EA

POLE DATA		
No.	ELEV.	STATION OFFSET
1	..	15+37 53.7 LT.
2	..	14+80 60.4 RT.



699-1-1 4 EA

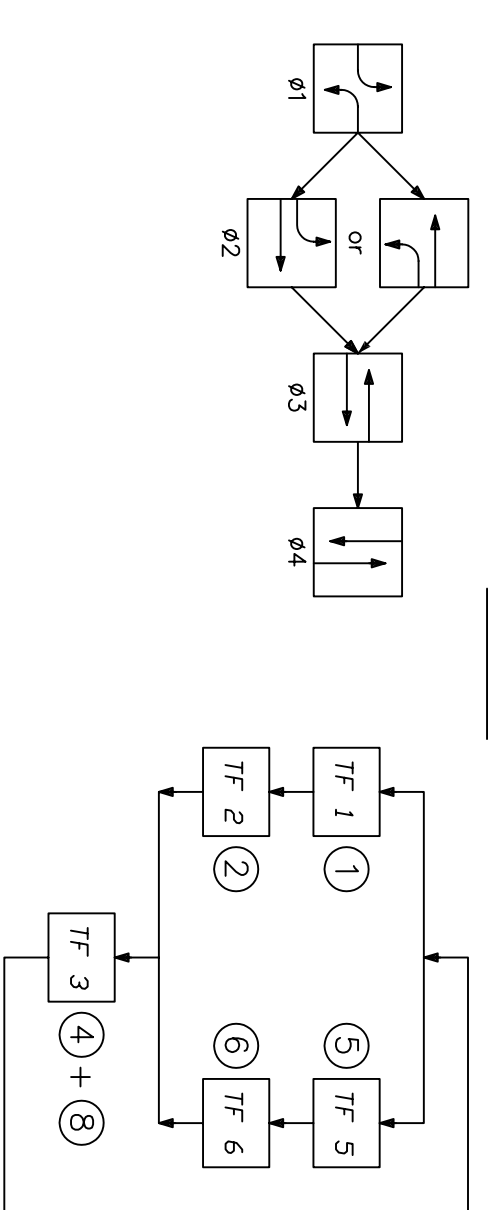


1. MAJOR STREET IS CR-44A, PHASE 1, MOVEMENTS 2 AND 6.
MINOR STREET IS CR-439, PHASE 2, MOVEMENTS 4 AND 8.

2. SIGNAL TIMINGS ARE INITIAL AND MAY REQUIRE FIELD ADJUSTMENTS.

CONTROLLER NOTES

SOP 7



CONTROLLER TIMING PLAN

TIMING FUNCTION	1	2	3	5	6
MOVEMENT NUMBER	WBL	EB	NB+SB	EBL	WB
MIN GREEN (INITIAL)
EXTENSION
MAX GREEN I
MAX GREEN II
YELLOW
ALL RED
RECALL	NONE	MINIMUM	NONE	NONE	MINIMUM
FLASHING OPERATION	RED	YELLOW	RED	RED	YELLOW

LOOP DETECTOR/CONNECTION CHART

LOOP DETECTOR	CONNECT TO	LOOP TYPE	LOOP SIZE	LOOP FUNCTION	CONTROLLER FUNCTION	DETECTOR FUNCTION
1	L2	B	6'x6'	TF2	TF2	CALL TO EXTEND
2	L5	F	40'x6'	TF1	TF1	CALL AND EXTEND
3	L4	F	40'x6'	TF3	TF3	CALL AND EXTEND
4	L4-TD	F	40'x6'	TF3	TF3	DELAY ON RED (8 SEC)
5	L1	F	40'x6'	TF1	TF1	CALL AND EXTEND
6	L6	B	6'x6'	TF2	TF2	CALL TO EXTEND
7	L8	F	40'x6'	TF3	TF3	CALL AND EXTEND
8	L8-TD	F	40'x6'	TF3	TF3	DELAY ON RED (8 SEC)

SIGNALIZATION PLAN

DATE	BY	DESCRIPTION	DATE	BY	DESCRIPTION

DATE	BY	DESCRIPTION

DATE	BY	DESCRIPTION

TINDALE-OLIVER AND ASSOCIATES, INC.
3680 MAQUIRE BOULEVARD, SUITE 103
ORLANDO, FLORIDA 32803
407-896-9200

LAKE COUNTY
TRAFFIC ENGINEERING DEPARTMENT
ROAD NO. CR-44A AT
COUNTY LAKE
PROJECT NO. XXXXX

SHEET NO. T-4