



Bulldog Sitework LLC

609 HWY 466
Lady Lake, FL 32159
(352) 267 4664
www.BulldogSitework.com

Lake May Reserve Improvements

ITB# 22-944

Submittal #004

Septic - Robs Septic

BULLDOG SITEWORK LLC

Project Lake May - 22-944

Date reviewed 3/17/2023

Reviewed by Sizemore

Notes:

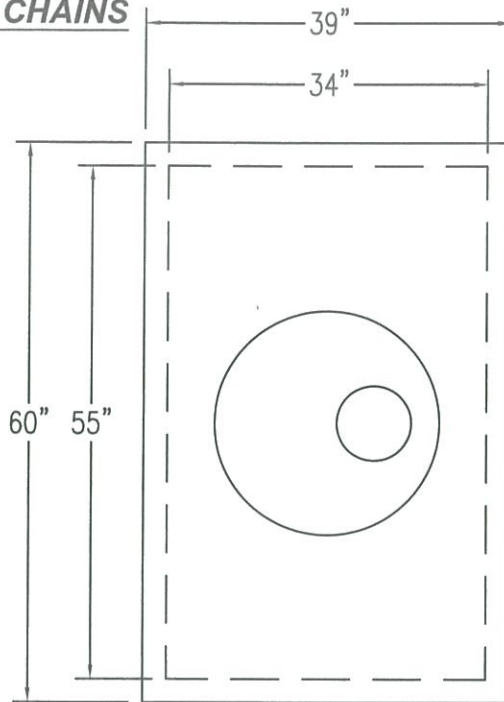
APPROVED

Office of Parks and Trails

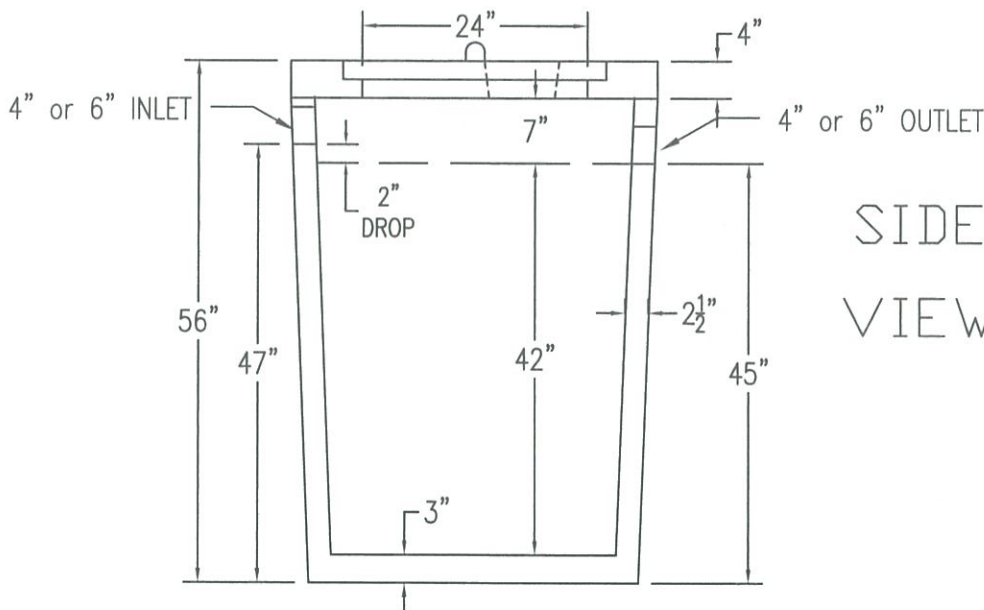
3/31/2023 

Property of Del Zotto Products of Florida, Inc. Do NOT reproduce without written permission.
 © 2000 - Del Zotto Products of Florida, Inc. shall Protect all Patents, Patents Pending, Copyrights, and Proprietary Information.

MUST USE SPREADER BAR TO LIFT TANK
DO NOT USE CHAINS



TOP
VIEW



SIDE
VIEW

WEIGHT lbs.	
VAULT	2,473.00
LID	812.00
TOTAL	3,285.00

FLORIDA APPROVAL NUMBER
42-007-92S-C3

This is proprietary information, and remains the property of Del Zotto Products of Florida, Inc. These Drawings and Dimensions have been drawn especially for:

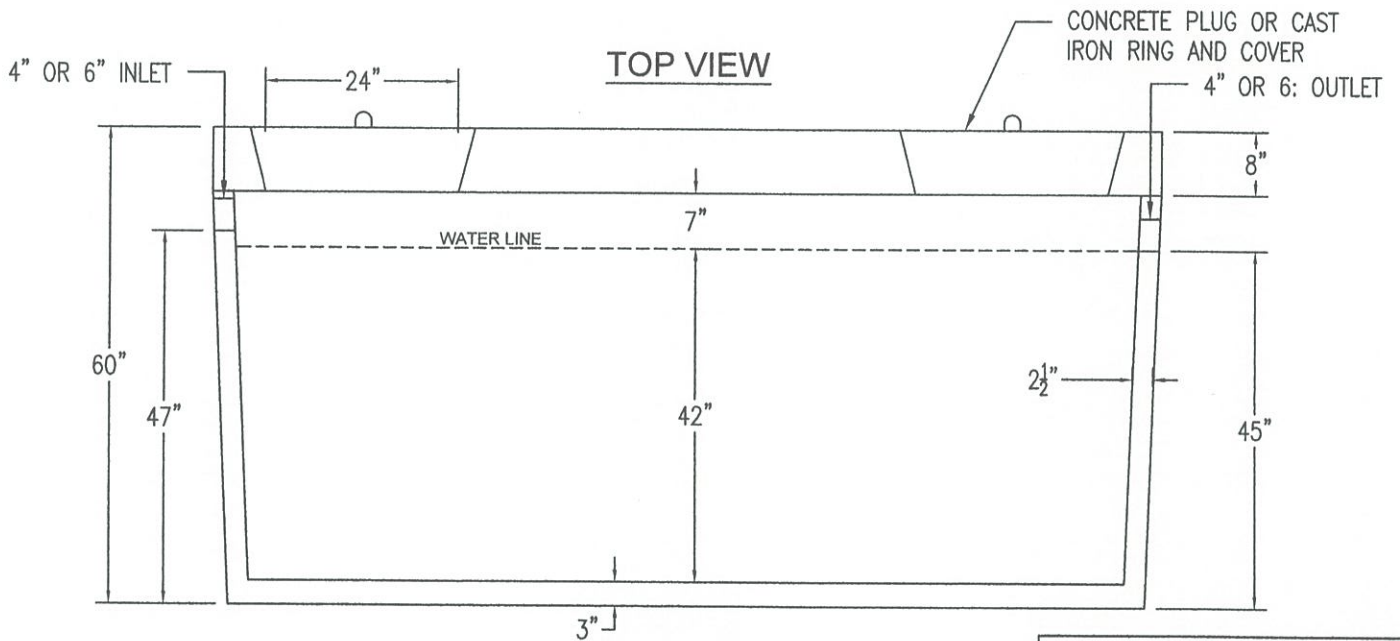
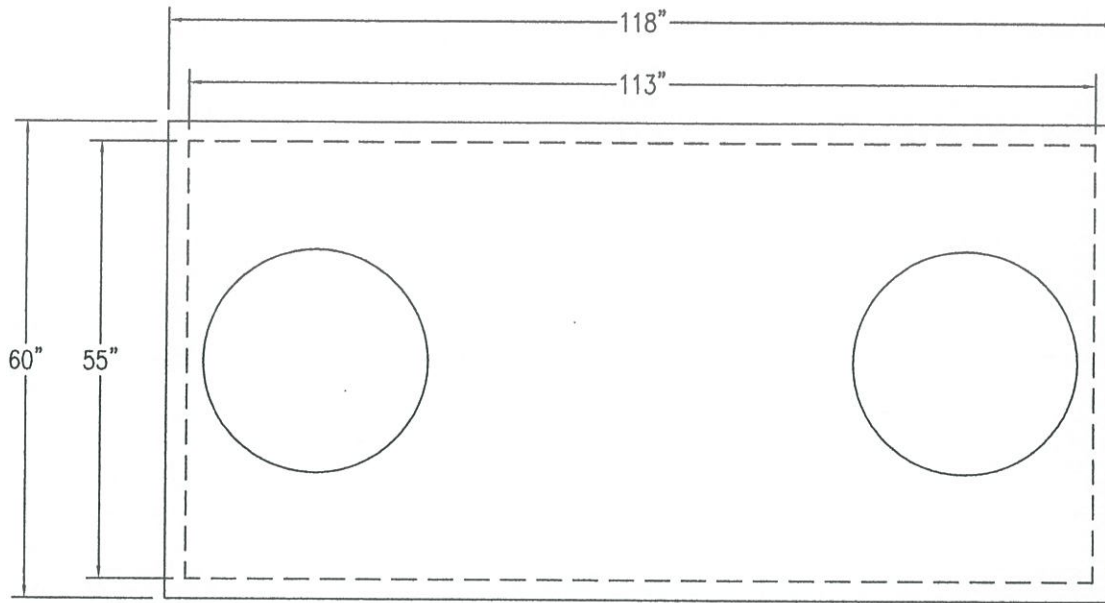
DEL ZOTTO PRODUCTS OF FLORIDA, INC.
 4405 W HWY 40
 OCALA, FL 34482
 PHONE: 352-351-3834
 FAX: 352-351-8875

The Company/Persons named above shall be given written permission upon purchase from Del Zotto Products of Florida, Inc. to reproduce sales literature with this drawing.

DRAWING #: 300-SC-PT
 DRAWN BY: JDM
 DATE: 2-14-2002
 FOLDER NAME: DELZOTTO

300 GALLON SINGLE COMPARTMENT PUMP TANK

Property of Del Zotto Products of Florida, Inc. Do NOT reproduce without written permission.
 © 2000 - Del Zotto Products of Florida, Inc. shall Protect all Patents, Patents Pending, Copyrights, and Proprietary Information.



TOP VIEW

SIDE VIEW

MUST USE SPREADER BAR TO LIFT TANK
DO NOT USE CHAINS

WEIGHT lbs.	
VAULT	5,346.00
TRAFFIC LID	4,916.00
TOTAL	10,262.00

FLORIDA APPROVAL NUMBER
 42-007-08S-C3
 WITH TRAFFIC LID

This is proprietary information, and remains the property of Del Zotto Products of Florida, Inc. These Drawings and Dimensions have been drawn especially for:
 DEL ZOTTO PRODUCTS OF FLORIDA, INC.
 4405 W HWY 40
 Ocala, FL 34482
 PHONE: 352-351-3834
 FAX: 352-351-8875

The Company/Persons named above shall be given written permission upon purchase from Del Zotto Products of Florida, Inc. to reproduce sales literature with this drawing.

DRAWING #: 1050-SC-ST-WTL
 DRAWN BY: JDM
 DATE: 2-15-2002
 FOLDER NAME: DELZOTTO

1050 GALLON SINGLE COMPARTMENT SEPTIC TANK