

*See project information for pole details

Luminaire Data

Manufacturer	Cree Lighting
Material and finish	Die-cast aluminum with powder-coat finish ¹
Mounting.....	Direct pole mount
Weight (luminaire)	28.9 lb (13.1 kg)

Regulatory and Voluntary Qualifications

UL	cULus Listed
Environment.....	Suitable for wet locations
Ingress Protection.....	IP66
Emissions.....	Meets FCC Part 15, Subpart B, Class A limits for conducted and radiated emissions
RoHS	Compliant

Photometric Characteristics

Lumen maintenance factor ²	
25k hours ³	0.99
50k hours ³	0.97
75k hours ³	0.95
100k hours ³	0.93
CIE correlated color temperature	5700 K
Color Rendering Index (CRI), minimum	70
Lumens.....	16,000

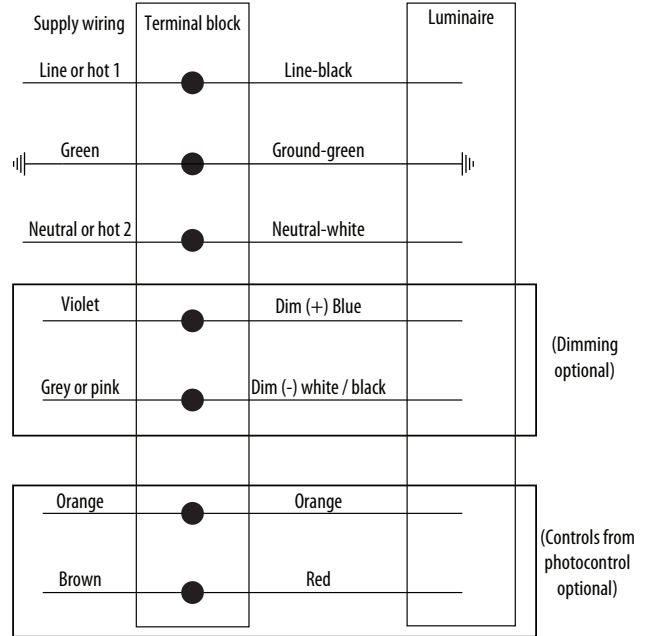
Footnotes:

- 1) Cree Lighting's exclusive Colorfast DeltaGuard® finish features an E-coat epoxy primer with an ultra-durable powder topcoat, providing excellent resistance to corrosion, ultraviolet degradation, and abrasion. Color options include black, white, silver, and bronze.
- 2) Lumen maintenance values at 25°C ambient temperature are calculated per TM-21 based on LM-80 data and in-situ luminaire testing.
- 3) Values are represented as projected values within six times limit of tested hours per IES TM-21-11.

Electrical Data

Rated wattage per luminaire ¹	104 W
Input voltage	120 – 277 V or 347 – 480 V, 50/60 Hz
Driver configuration	Integral, Class 1
Driver Efficiency	>90%
Starting (inrush) current	See note 1
Power factor at full load	>0.9
Total Harmonic Distortion at full load	<20%
Operating temperature range	-40°C to +40°C (-40°F to +104°F)
Dimming mode ²	0 – 10 V dimming to 10%

Typical Wiring



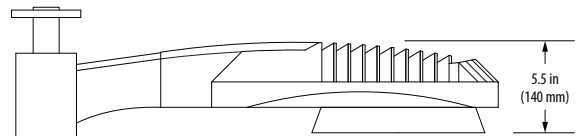
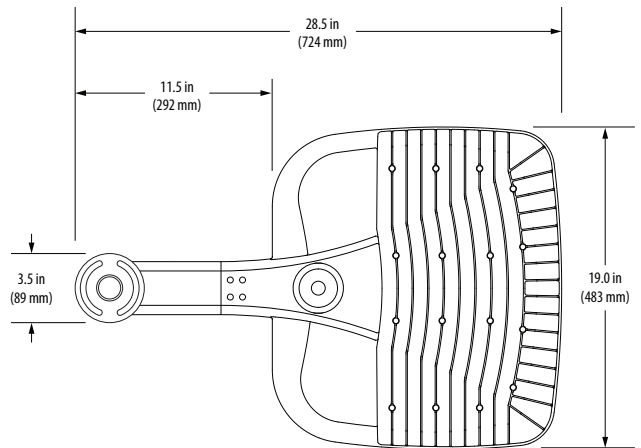
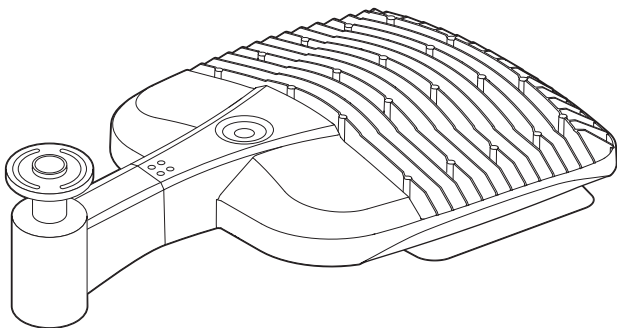
	120 Vac	208 Vac	240 Vac	277 Vac	347 Vac	480 Vac
Max operating current ³	0.89 A	0.51 A	0.43 A	0.39 A	0.31 A	0.22 A

Footnotes:

- 1) Rated wattage is the power consumption, including driver efficiency losses, at stabilized operation in 25°C ambient temperature environment.
- 2) Dimming controls not provided by Musco. Driver provides 10 V source current at 1.0 mA, compliant with IEC 60929 Annex E dimming standard.
- 3) Operating current based on 25°C ambient temperature at full load. Contact Musco engineering for amperes if operating in different conditions.

Notes

1. When code dictates fusing, a slow blow fuse or type C/D breaker should be used to address inrush current.



Valmont® is a registered trademark of Valmont Industries. Colorfast DeltaGuard® is a registered trademark, and OSQ™ is a trademark of Cree Lighting, A company of IDEAL INDUSTRIES. Patent www.creelighting.com/patents. • ©2016, 2022 Musco Sports Lighting, LLC • Cree OSQ Series 120 – 480V • M-2176-en04-7