



PETITION TO THE VALUE ADJUSTMENT BOARD
REQUEST FOR HEARING

Section 194.011, Florida Statutes

AH Key 3775660

DR-486
R. 11/23
Rule 12D-16.002
F.A.C.
Eff. 11/23
Page 1 of 3

You have the right to an informal conference with the property appraiser. This conference is not required and does not change your filing due date. You can present facts that support your claim and the property appraiser can present facts that support the correctness of the assessment. To request a conference, contact your county property appraiser.

For portability of homestead assessment difference, use the Petition to the Value Adjustment Board – Transfer of Homestead Assessment Difference – Request for Hearing Form (DR-486PORT). For deferral or penalties, use the Petition to the Value Adjustment Board – Tax Deferral or Penalties – Request for Hearing Form (DR-486DP). Forms are incorporated, by reference, in Rule 12D-16.002, Florida Administrative Code.

Form with sections: COMPLETED BY CLERK OF THE VALUE ADJUSTMENT BOARD (VAB), PART 1. Taxpayer Information, PART 2. Reason for Petition, and various checkboxes for property type and hearing details.

Your petition will not be complete until you pay the filing fee. When the VAB has reviewed and accepted it, they will assign a number, send you a confirmation, and give a copy to the property appraiser. Unless the person filing the petition is completing part 4, the taxpayer must sign the petition in part 3. Alternatively, the taxpayer's written authorization or power of attorney must accompany the petition at the time of filing with the signature of the person filing the petition in part 5 (s. 194.011(3), F.S.). Please complete one of the signatures below.

**PART 3. Taxpayer Signature**

Complete part 3 if you are representing yourself or if you are authorizing a representative listed in part 5 to represent you without attaching a completed power of attorney or authorization for representation to this form.  
Written authorization from the taxpayer is required for access to confidential information from the property appraiser or tax collector.

I authorize the person I appoint in part 5 to have access to any confidential information related to this petition. Under penalties of perjury, I declare that I am the owner of the property described in this petition and that I have read this petition and the facts stated in it are true.

\_\_\_\_\_  
Signature, taxpayer

\_\_\_\_\_  
Print name

\_\_\_\_\_  
Date

**PART 4. Employee, Attorney, or Licensed Professional Signature**

Complete part 4 if you are the taxpayer's or an affiliated entity's employee or you are one of the following licensed representatives.

I am (check any box that applies):

- An employee of \_\_\_\_\_ (taxpayer or an affiliated entity).
- A Florida Bar licensed attorney (Florida Bar number \_\_\_\_\_).
- A Florida real estate appraiser licensed under Chapter 475, Florida Statutes (license number RD6182).
- A Florida real estate broker licensed under Chapter 475, Florida Statutes (license number \_\_\_\_\_).
- A Florida certified public accountant licensed under Chapter 473, Florida Statutes (license number \_\_\_\_\_).

I understand that written authorization from the taxpayer is required for access to confidential information from the property appraiser or tax collector.

Under penalties of perjury, I certify that I have authorization to file this petition on the taxpayer's behalf, and I declare that I am the owner's authorized representative for purposes of filing this petition and of becoming an agent for service of process under s. 194.011(3)(h), Florida Statutes, and that I have read this petition and the facts stated in it are true.

Robert L. Peyton  
Signature, representative

Robert Peyton  
Print name

9/10/2024  
Date

**PART 5. Unlicensed Representative Signature**

Complete part 5 if you are an authorized representative not listed in part 4 above.

- I am a compensated representative not acting as one of the licensed representatives or employees listed in part 4 above AND (check one)
- Attached is a power of attorney that conforms to the requirements of Part II of Chapter 709, F.S., executed with the taxpayer's authorized signature OR  the taxpayer's authorized signature is in part 3 of this form.
- I am an uncompensated representative filing this petition AND (check one)
- the taxpayer's authorization is attached OR  the taxpayer's authorized signature is in part 3 of this form.

I understand that written authorization from the taxpayer is required for access to confidential information from the property appraiser or tax collector.

Under penalties of perjury, I declare that I am the owner's authorized representative for purposes of filing this petition and of becoming an agent for service of process under s. 194.011(3)(h), Florida Statutes, and that I have read this petition and the facts stated in it are true.

\_\_\_\_\_  
Signature, representative

\_\_\_\_\_  
Print name

\_\_\_\_\_  
Date

# LAKE COUNTY PROPERTY APPRAISER VAB APPEAL WORKSHEET RESIDENTIAL

<b>Petition #</b> 2024-0272	Alternate Key: 3775560	Parcel ID: 12-23-25-1100-000-00900
<b>Petitioner Name</b> Ryan, LLC c/o Robert Peyton The Petitioner is: <input type="checkbox"/> Taxpayer of Record <input type="checkbox"/> Taxpayer's agent <input type="checkbox"/> Other, Explain:	<b>Property Address</b> 10717 SIENA DR CLERMONT	<input type="checkbox"/> Check if Multiple Parcels
<b>Owner Name</b> American Homes 4 Rent, LLC; AH4RPOne, L	Value from TRIM Notice	Value before Board Action Value presented by Prop Appr
		Value after Board Action
<b>1. Just Value, required</b>	\$ 308,632	\$ 302,000
<b>2. Assessed or classified use value, *if applicable</b>	\$ 245,080	\$ 245,080
<b>3. Exempt value, *enter "0" if none</b>	\$ -	
<b>4. Taxable Value, *required</b>	\$ 245,080	\$ 245,080

\*All values entered should be county taxable values, School and other taxing authority values may differ.

**Last Sale Date** 8/20/2013      **Price:** \$98,000       Arm's Length  Distressed      **Book** 4374      **Page** 1563

ITEM	Subject	Comparable #1	Comparable #2	Comparable #3
<b>AK#</b>	3775560	3775600	3746384	3775663
<b>Address</b>	10717 SIENA DR CLERMONT	10653 CRESCENDO LOOP CLERMONT	10612 REGANS RUN DR CLERMONT	10832 ARIA CT CLERMONT
<b>Proximity</b>		.11 Miles	.14 Miles	.14 Miles
<b>Sales Price</b>		\$355,000	\$350,000	\$335,000
<b>Cost of Sale</b>		-15%	-15%	-15%
<b>Time Adjust</b>		2.00%	1.20%	2.00%
<b>Adjusted Sale</b>		\$308,850	\$301,700	\$291,450
<b>\$/SF FLA</b>	\$224.37 per SF	\$196.47 per SF	\$203.85 per SF	\$225.93 per SF
<b>Sale Date</b>		7/26/2023	9/20/2023	7/12/2023
<b>Terms of Sale</b>		<input checked="" type="checkbox"/> Arm's Length <input type="checkbox"/> Distressed	<input checked="" type="checkbox"/> Arm's Length <input type="checkbox"/> Distressed	<input checked="" type="checkbox"/> Arm's Length <input type="checkbox"/> Distressed

Value Adj.	Description	Description	Adjustment	Description	Adjustment	Description	Adjustment
<b>Fla SF</b>	1,346	1,572	-11300	1,480	-6700	1,290	2800
<b>Year Built</b>	1998	1998	0	1999	0	1998	0
<b>Constr. Type</b>	Stucco/Brick	Stucco/Brick	0	Stucco/Brick	0	Stucco/Brick	0
<b>Condition</b>	Good	Good	0	Good	0	Good	0
<b>Baths</b>	2.0	2.0	0	2.0	0	2.0	0
<b>Garage/Carport</b>	2 Car	2 Car	0	2 Car	0	2 Car	0
<b>Porches</b>	Screen	Patio	10000	Patio	10000	Screen	
<b>Pool</b>	N	N	0	N	0	N	0
<b>Fireplace</b>	0	0	0	0	0	0	0
<b>AC</b>	Central	Central	0	Central	0	Central	0
<b>Other Adds</b>	none	none		none		none	0
<b>Site Size</b>					0		0
<b>Location</b>	Subbdivision	Subbdivision	0	Subbdivision	0	Subbdivision	0
<b>View</b>	Residential	Residential	0	Residential	0	Residential	0
		-Net Adj. 0.4%	-1300	Net Adj. 1.1%	3300	Net Adj. 1.0%	2800
		Gross Adj. 6.9%	21300	Gross Adj. 5.5%	16700	Gross Adj. 1.0%	2800
<b>Adj. Sales Price</b>	Market Value <b>\$302,000</b>	Adj Market Value	<b>\$307,550</b>	Adj Market Value	<b>\$305,000</b>	Adj Market Value	<b>\$294,250</b>
	Value per SF 224.37						

The IAAO "Standard on Ratio Studies", approved April, 2013, paragraph 9.1, indicates that a range of assessment level from .90 and 1.10 times the desired level of assessment is acceptable for any class of property. Thus, after applying a -15% 1st & 8th criteria adjustment factor to a Market Value indication, a Just Value/Market Value ratio of 76.5% to 93.5% falls within the acceptable range.

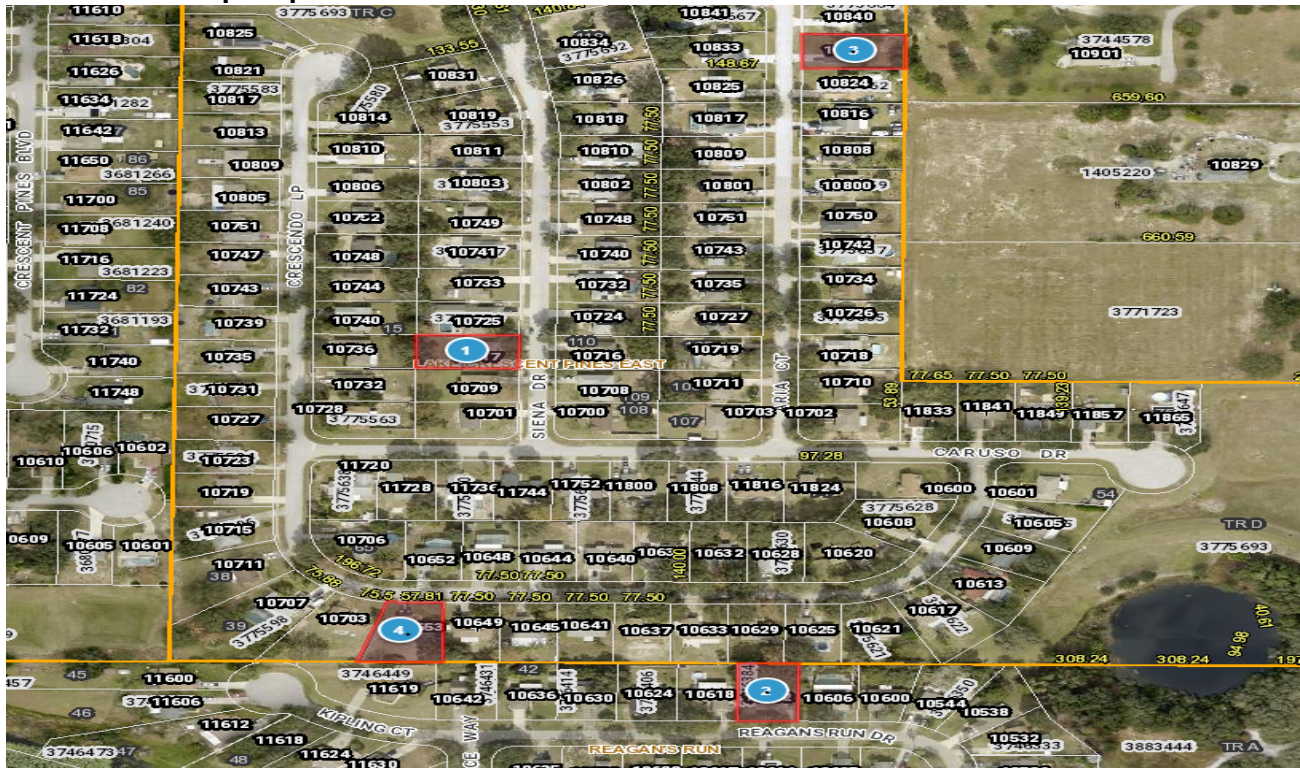
Change to \$302,000

Based upon the facts presented herein, it is the Property Appraiser's opinion that the Market Value placed upon this property is considered to be fair and just as of January 1st. The Income, Market, and Cost approaches to value have been considered in the assessment of this property and are an integral part of the Property Appraiser CAMA. All factors considered as per F.S. s.193.011 and approved mass appraisal standards.

**DEPUTY:            MTW**

**DATE    11/26/2024**

## 2024-0272 Comp Map



Bubble #	Comp #	Alternate Key	Parcel Address	Distance from Subject(mi.)
1	subject	3775560	10717 SIENA DR CLERMONT	-
2	Comp 2	3746384	10612 REGANS RUN DR CLERMONT	0.14
3	Comp 3	3775663	10832 ARIA CT CLERMONT	0.14
4	comp 1	3775600	10653 CRESCENDO LOOP CLERMONT	0.11
5				
6				
7				
8				

Alternate Key 3775560  
Parcel ID 12-23-25-1100-000-00900

**LCPA Property Record Card**  
Roll Year 2024 Status: A

2024-0272 Subject  
PRC Run: 12/5/2024 By  
Card # 1 of 1

**Current Owner**  
AMERICAN HOMES 4 RENT PROPERTIES S  
ATTN PROPERTY TAX DEPT  
23975 PARK SORRENTO STE 300  
CALABASAS CA 91302-4012

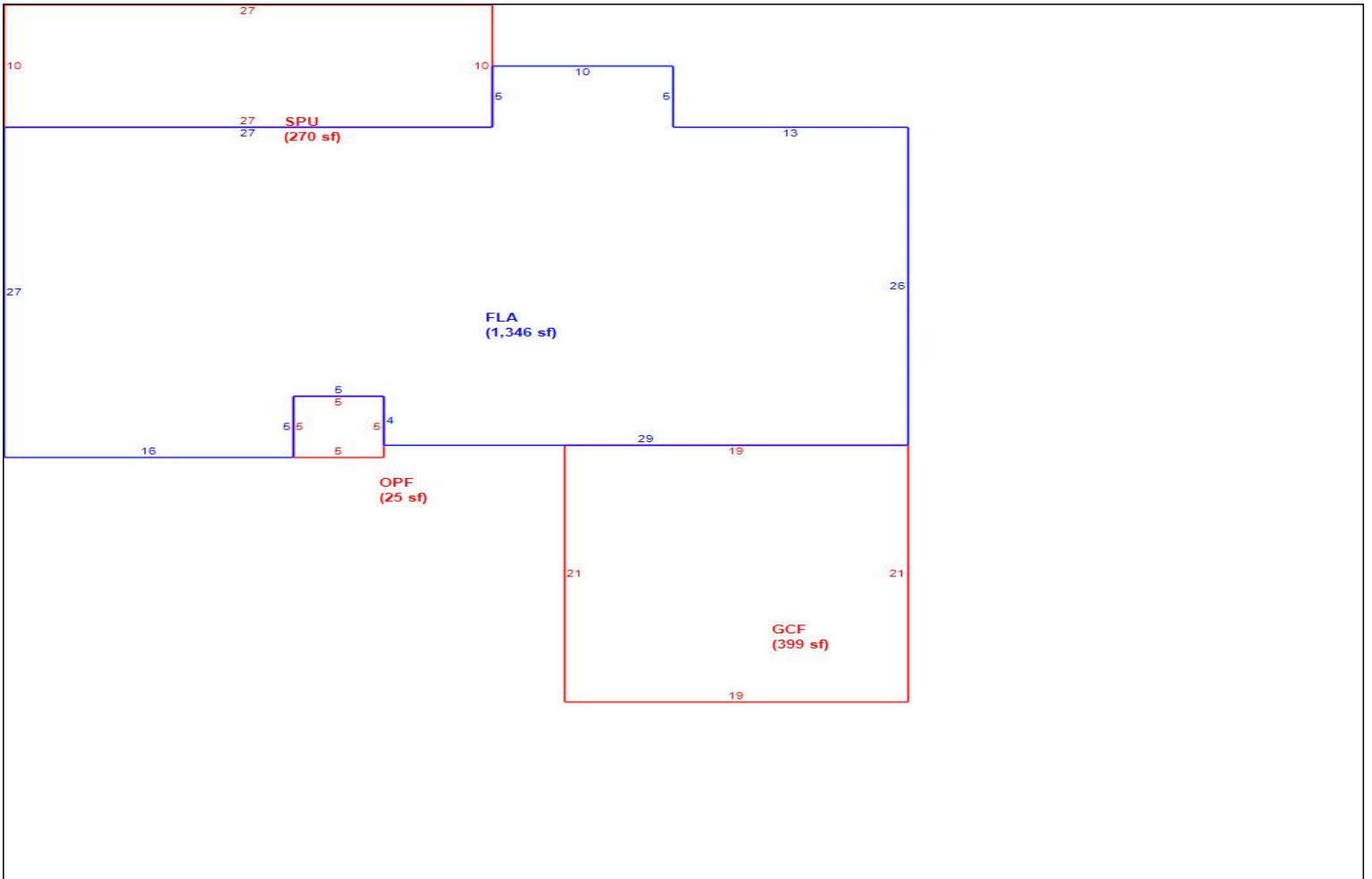
Subject

**Property Location**  
Site Address 10717 SIENA DR  
CLERMONT FL 34711  
Mill Group 0005 NBHD 1797  
**Property Use** 0010 SINGLE FAMILY  
**Last Inspection** PJF 01-01-202

**Legal Description**  
LAKE CRESCENT PINES EAST SUB LOT 9 PB 38 PGS 77-79 ORB 4374 PG 1563 ORB 4520 PG 336

<b>Land Lines</b>													
LL	Use Code	Front	Depth	Notes Adj	Units	Unit Price	Depth Factor	Loc Factor	Shp Factor	Phys Factor	Class Val	Land Value	
1	0100	0	0		1.00 LT	55,000.00	0.0000	2.00	1.000	1.000	0	110,000	
<b>Total Acres</b>		0.00		<b>JV/Mkt</b>		0		<b>Total Adj JV/Mkt</b>		110,000			
<b>Classified Acres</b>		0		<b>Classified JV/Mkt</b>		110,000		<b>Classified Adj JV/Mkt</b>		0			

**Sketch**  
Bldg 1 Sec 1 of 1 Replacement Cost 204,775 Deprec Bldg Value 198,632 Multi Story 0



<b>Building Sub Areas</b>					<b>Building Valuation</b>			<b>Construction Detail</b>		
Code	Description	Living Are	Gross Are	Eff Area	Year Built	Effective Area	Imp Type	R1	Bedrooms	3
FLA	FINISHED LIVING AREA	1,346	1,346	1346	1998	1346	No Stories	1.00	Full Baths	2
GAR	GARAGE FINISH	0	399	0	120.42	204,775	Quality Grade	680	Half Baths	0
OPF	OPEN PORCH FINISHE	0	25	0	EX	97.00	Wall Type	03	Heat Type	6
SPU	SCREEN PORCH UNFIN	0	270	0	% Good	0	Foundation	3	Fireplaces	0
<b>TOTALS</b>		1,346	2,040	1,346	Functional Obsol	198,632	Roof Cover	3	Type AC	03
					Building RCNLD					

Alternate Key 3775560  
Parcel ID 12-23-25-1100-000-00900

**LCPA Property Record Card**  
Roll Year 2024 Status: A

2024-0272 Subject By  
PRC Run: 12/5/2024  
Card # 1 of 1

**Miscellaneous Features**  
*\*Only the first 10 records are reflected below*

Code	Description	Units	Type	Unit Price	Year Blt	Effect Yr	RCN	%Good	Apr Value

**Building Permits**

Roll Year	Permit ID	Issue Date	Comp Date	Amount	Type	Description	Review Date	CO Date
2001	0091217	09-29-2000	04-03-2001	5,460	0000	26X10 ROOF W/VINYL WIND		

**Sales Information**

**Exemptions**

Instrument No	Book/Page	Sale Date	Instr	Q/U	Code	Vac/Imp	Sale Price	Code	Description	Year	Amount
2016073785	4808	0625	08-20-2013	CT	U	U	100				
	4520	0336	08-20-2013	CT	U	U	100				
	4374	1563	08-20-2013	CT	U	U	98,000				
	4218	0995	09-18-2012	PR	U	U	100				
	3270	0133	09-29-2006	QC	U	U	50,000				
<b>Total</b>											0.00

**Value Summary**

Land Value	Bldg Value	Misc Value	Market Value	Deferred Amt	Assd Value	Cnty Ex Amt	Co Tax Val	Sch Tax Val	Previous Valu
110,000	198,632	0	308,632	63552	245080	0.00	245080	308632	302,573

**Parcel Notes**

98TRIM CORRECITON DELETE BLDG LOT IS VACANT PAP 090498  
 01FC DELETE CAN4 ADD SPU4 CKED FROM FENCE DOG DN 040301  
 02 LOC FROM 177 TO 200 QG FROM 475 TO 500 FER 061402  
 03 QG FROM 500 FER 101602  
 04 QG FROM 550 FER 021104  
 2675/2280 CT STEVEN RIVERA AND OLGA N REYES TO JOSEPH W BUKEY  
 05 UPDATE LOC FROM 200 QG FROM 590 DN 012005  
 2740/222 LOIS E KURTSCHENKO SINGLE  
 3270/133 LOIS E KURTSCHENKO TO BARBARA KING SINGLE AND LOIS E KURTSCHENKO SINGLE ONLY  
 07X CARD RETURNED NOT DELIVERABLE AS ADDRESSED 10717 SIENA DR CLERMONT 34711  
 07X MAIL RETURNED NOT DELIVERABLE AS ADDRESSED 020107  
 07X DENY  
 07X BARBARA KING DID NOT MOVE OR RENT THIS PROP SEND MAIL TO DAUGHTER LOIS E KURTSCHENKO AT 13123 SUNSHINE CIR CLERMONT 34711 PER NOTE DTD 062507  
 11X LOIS KURTSCHENKO 83 DECEASED 020211 FL DEATH LIST  
 4218/995 BARBARA J KING PR FOR THE EST OF LOIS E KURTSCHENKO TO BARBARA J KING AKA BARARA L KING SINGLE  
 4374/1563 CT VS BARBARA KING PROP SOLD TO AMERICAN HOMES 4 RENT PROPERTIES SIX LLC  
 14 MAILING ADDR CHGD FROM 22917 PACIFIC COAST HIGHWAY MALIBU CA 90265 INFO SCANNED TO AK3456998 DW 111113  
 4520/336 AMENDED CT VS BARBARA KING AND LOIS E KURTSCHENKO ET AL DOESNT STATE ORB/PG OR WHAT IT IS AMENDING APPEARS TO BE FOR 4374/1563 TO ADD DEFENDENT NAME  
 4808/625 SECOND AMENDED CT VS BARBARA KING AND LOIS E KURTSCHENKO ET AL SOLD TO AMERICAN HOMES 4 RENT PROPERTIES SIX LLC DOESNT STATE ORB/PG OR WHAT IT IS AMENDING  
 21 MAILING ADDR CHGD FROM 30601 AGOURA RD STE 200L AGOURA HILLS CA 91301 INFO SCANNED TO AK3796562 DW 122320

\*\*\*Information on this Property Record Card is compiled and used by the Lake County Property Appraiser for the sole purpose of ad valorem property tax assessment administration in accordance with the Florida Constitution, Statutes, and Administrative Code. The Lake County Property Appraiser makes no representations or warranties regarding the completeness and accuracy of the data herein, its use or interpretation, the fee or equitable title ownership of the property, and assumes no liability associated with the use or misuse. See the posted Site Notice on our website for details.\*\*\*

Alternate Key 3775600  
Parcel ID 12-23-25-1100-000-04100

**LCPA Property Record Card**  
Roll Year 2024 Status: A

2024-0272 Comp 1  
PRC Run: 12/5/2024 By

Card # 1 of 1

Current Owner		
SZEMPLE JESSICA M		
10653 CRESCENDO LOOP		
CLERMONT	FL	34711

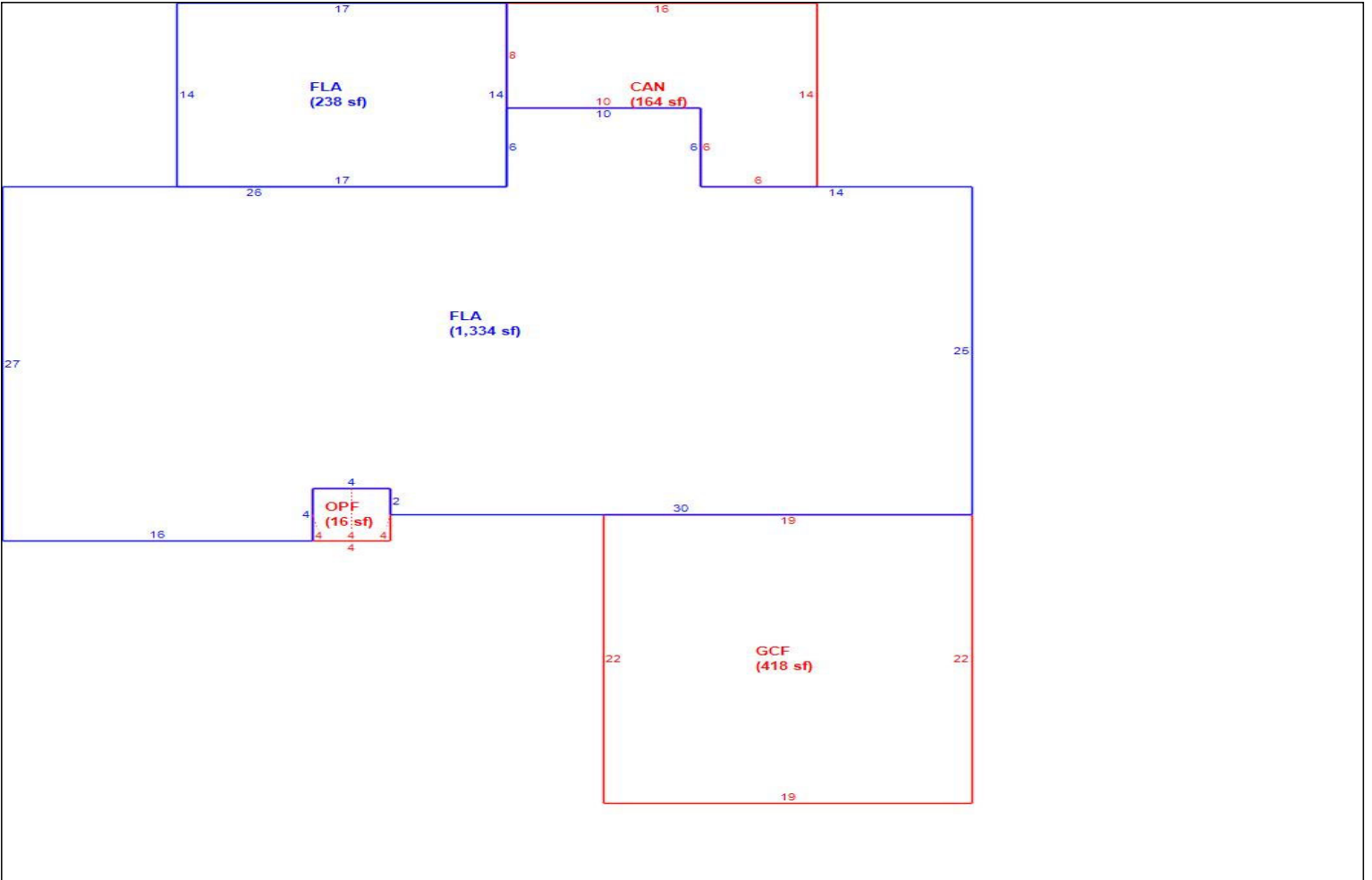
Comp 1

Property Location		
Site Address 10653 CRESCENDO LOOP		
CLERMONT FL 34711		
Mill Group	0005	NBHD 1797
Property Use		Last Inspection
00100	SINGLE FAMILY	DN 03-10-201

Legal Description
LAKE CRESCENT PINES EAST SUB LOT 41 PB 38 PGS 77-79 ORB 6185 PG 173 ORB 6209 PG 392

Land Lines												
LL	Use Code	Front	Depth	Notes Adj	Units	Unit Price	Depth Factor	Loc Factor	Shp Factor	Phys Factor	Class Val	Land Value
1	0100	0	0		1.00 LT	55,000.00	0.0000	2.00	1.000	1.000	0	110,000
Total Acres		0.00		JV/Mkt		0		Total Adj JV/Mkt		110,000		
Classified Acres		0		Classified JV/Mkt		110,000		Classified Adj JV/Mkt		0		

Sketch											
Bldg	1	Sec	1	of	1	Replacement Cost	225,566	Deprec Bldg Value	218,799	Multi Story	0



Building Sub Areas				Building Valuation		Construction Detail			
Code	Description	Living Area	Gross Area	Eff Area	Year Built	Imp Type	R1	Bedrooms	3
FLA	FINISHED LIVING AREA	1,572	1,572	1572	1998	No Stories	1.00	Full Baths	2
GAR	GARAGE FINISH	0	418	0	117.23	Quality Grade	680	Half Baths	0
OPF	OPEN PORCH FINISHE	0	16	0	225,566	Wall Type	03	Heat Type	6
PAT	PATIO UNCOVERED	0	164	0	EX	Foundation	3	Fireplaces	0
TOTALS		1,572	2,170	1,572	97.00	Roof Cover	3	Type AC	03
					Functional Obsol	0			
					Building RCNLD	218,799			



Alternate Key 3775600  
 Parcel ID 12-23-25-1100-000-04100

**LCPA Property Record Card**  
 Roll Year 2024 Status: A

2024-0272 Comp 1  
 PRC Run: 12/5/2024 By  
 Card # 1 of 1

Miscellaneous Features									
*Only the first 10 records are reflected below									
Code	Description	Units	Type	Unit Price	Year Blt	Effect Yr	RCN	%Good	Apr Value

Building Permits									
Roll Year	Permit ID	Issue Date	Comp Date	Amount	Type	Description	Review Date	CO Date	
2017	SALE	01-01-2016	03-10-2017	1	0099	CHECK VALUE	03-10-2017		
2016	2015060756	11-23-2015	12-11-2015	200	0006	COU SFR TO RESIDENTIAL HOME	12-11-2015		
2016	SALE	01-01-2015	12-11-2015	1	0099	CHECK VALUE	12-11-2015		
2005	SALE	01-01-2004	01-10-2005	1	0000	CHECK VALUE			

Sales Information									Exemptions			
Instrument No	Book/Page	Sale Date	Instr	Q/U	Code	Vac/Imp	Sale Price	Code	Description	Year	Amount	
2023111670	6209 0392	09-01-2023	QC	U	11	I	100	039	HOMESTEAD	2024	25000	
2023091900	6185 0173	07-26-2023	WD	Q	01	I	355,000	059	ADDITIONAL HOMESTEAD	2024	25000	
2016123276	4868 2421	11-16-2016	WD	Q	Q	I	160,000					
	4605 1376	03-24-2015	WD	Q	Q	I	148,000					
	3431 1957	04-24-2007	WD	U	U	I	0					
Total											50,000.00	

Value Summary										
Land Value	Bldg Value	Misc Value	Market Value	Deferred Amt	Assd Value	Cnty Ex Amt	Co Tax Val	Sch Tax Val	Previous Valu	
110,000	218,799	0	328,799	0	328799	50,000.00	278799	303799	321,923	

**Parcel Notes**

02 QG FROM 475 TO 500 FER 061402  
 03 QG FROM 500 FER 101702  
 04 QG FROM 550 FER 020604  
 2580/1575 DAVID M & DEANNA FURTADO TO CARLOS A BETANCOURT & ANADELINA SALCEDO HW  
 05FC SFR IN EXCELLENT COND DELETE CAN4 AT 80SF ADD FLA4 LOC FROM 200 QG FROM 615 DN 011005  
 2740/2368 CAROLYN GUERRERO SINGLE  
 3431/1957 EGS SERVICES LLC TTEE OF THE CAROLYN GUERRERO TRUST DTD 042407 CAROLYN GUERRERO IS MARRIED TO ISMAEL COTTO  
 07TR NOT DELIVERABLE AS ADDRESSED 10653 CRESCENDO LOOP CLERMONT 34711 7896  
 4605/1376 EGS SERVICES LLC TTEE TO LYDIE & RODRIGUE DJAHUE HW  
 15X COURTESY HX CARD SENT 042015  
 15CC HX APP SUBMITTED LH 052115  
 15CC CHANGE OF MAILING ADDR SUBMITTED DB 081315  
 15 MAILING ADDR CHGD FROM 6000 OAKBEND ST APT 7108 ORLANDO FL 32835 INFO SCANNED LH 081415  
 16FCL SFR IN GOOD EXT COND ADD CAN PER AERIAL NPA UNABLE TO ACCESS BACK YARD DN 121115  
 4868/2421 LYDIE & RODRIGUE DJAHUE TO JOSUET ACOSTA SINGLE AND FLOR A TORRES SINGLE JTWROS  
 17X COURTESY HX CARD SENT 122216  
 17FC SFR IS IN GOOD EXT COND NO CHGS SFR HAS NEWER SHINGLES DN 031017  
 6185/173 JOSUET ACOSTA & FLOR A TORRES TO JESSICA M SZEMPLE SINGLE AND KAREN LEWIS SINGLE JT  
 23TR ATTEMPTED NOT KNOWN 10653 CRESCENDO LOOP CLERMONT FL 34711 ACS 090123  
 6209/392 JESSICA M SZEMPLE AND KAREN LEWIS TO JESSICA M SZEMPLE SINGLE  
 24CC EFILE HX APP CP 022824

\*\*\*Information on this Property Record Card is compiled and used by the Lake County Property Appraiser for the sole purpose of ad valorem property tax assessment administration in accordance with the Florida Constitution, Statutes, and Administrative Code. The Lake County Property Appraiser makes no representations or warranties regarding the completeness and accuracy of the data herein, its use or interpretation, the fee or equitable title ownership of the property, and assumes no liability associated with the use or misuse. See the posted Site Notice on our website for details.\*\*\*

Alternate Key 3746384  
Parcel ID 12-23-25-1800-000-03800

**LCPA Property Record Card**  
Roll Year 2024 Status: A

2024-0272 Comp 2  
PRC Run: 12/5/2024 By  
Card # 1 of 1

Current Owner		
NICOLINI CLAUDIO		
10612 REAGANS RUN DR		
CLERMONT	FL	34711

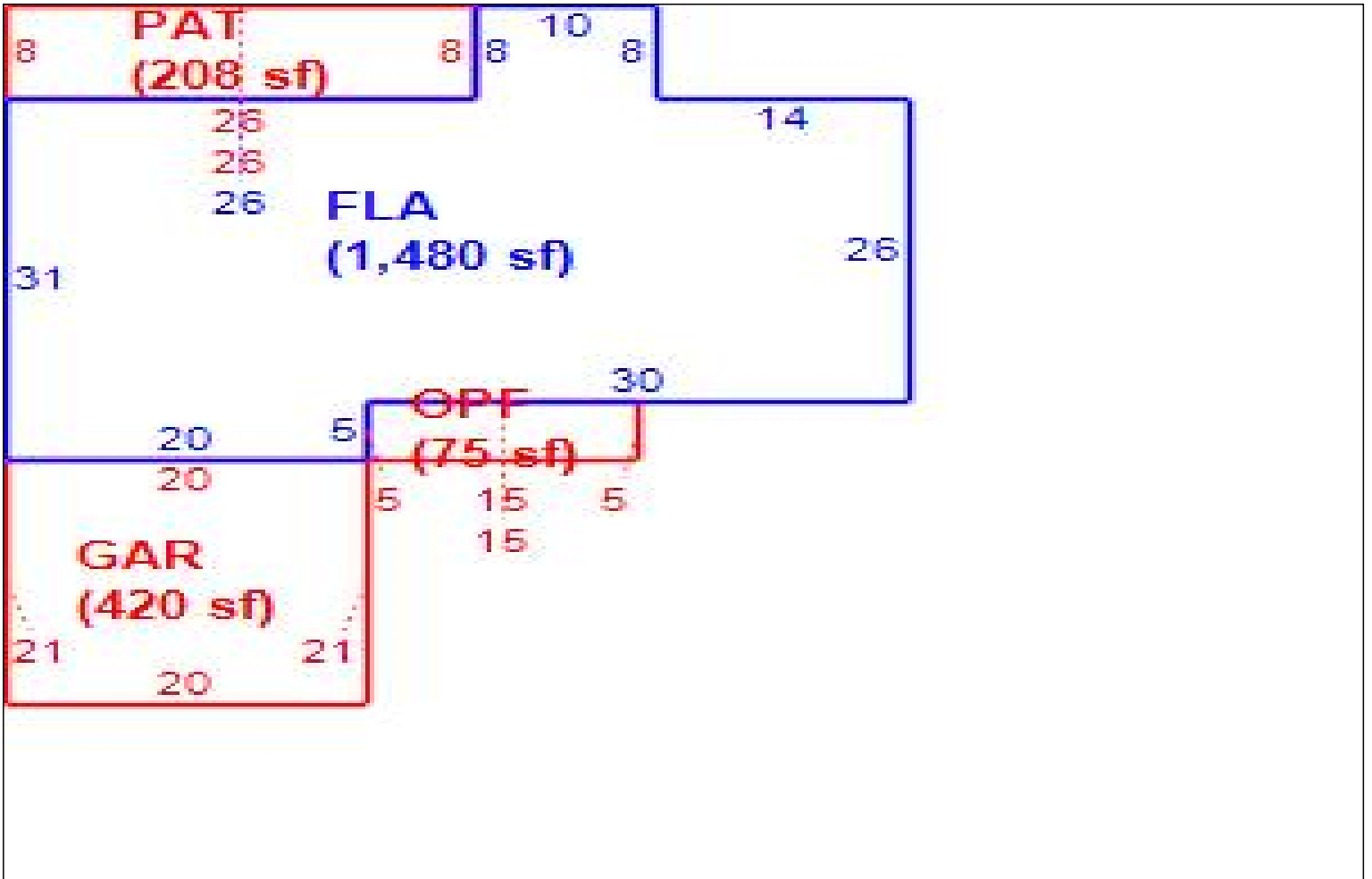
Comp 2

Property Location		
Site Address 10612 REAGANS RUN DR		
CLERMONT FL 34711		
Mill Group 0005	NBHD 1797	
Property Use		Last Inspection
00100	SINGLE FAMILY	PJF 01-01-202

Legal Description
REAGAN'S RUN SUB LOT 38 PB 37 PGS 88-91 ORB 6223 PG 1726

Land Lines												
LL	Use Code	Front	Depth	Notes Adj	Units	Unit Price	Depth Factor	Loc Factor	Shp Factor	Phys Factor	Class Val	Land Value
1	0100	0	0		1.00 LT	55,000.00	0.0000	2.00	1.000	1.000	0	110,000
Total Acres		0.00		JV/Mkt		0		Total Adj JV/Mkt		110,000		
Classified Acres		0		Classified JV/Mkt		110,000		Classified Adj JV/Mkt		0		

Sketch			
Bldg 1	Sec 1	of 1	Replacement Cost 198,413
Deprec Bldg Value 192,461		Multi Story 0	



Building Sub Areas				Building Valuation		Construction Detail			
Code	Description	Living Are	Gross Are	Eff Area	Year Built	Imp Type	R1	Bedrooms	3
FLA	FINISHED LIVING AREA	1,480	1,480	1480	1999	No Stories	1.00	Full Baths	2
GAR	GARAGE FINISH	0	420	0	108.17	Quality Grade	665	Half Baths	0
OPF	OPEN PORCH FINISHE	0	75	0	EX	Wall Type	03	Heat Type	6
PAT	PATIO UNCOVERED	0	208	0	97.00	Foundation	3	Fireplaces	0
TOTALS		1,480	2,183	1,480	0	Roof Cover	3	Type AC	03

Alternate Key 3746384  
 Parcel ID 12-23-25-1800-000-03800

**LCPA Property Record Card**  
 Roll Year 2024 Status: A

2024-0272 Comp 2  
 PRC Run: 12/5/2024 By  
 Card # 1 of 1

Miscellaneous Features									
*Only the first 10 records are reflected below									
Code	Description	Units	Type	Unit Price	Year Blt	Effect Yr	RCN	%Good	Apr Value

Building Permits									
Roll Year	Permit ID	Issue Date	Comp Date	Amount	Type	Description	Review Date	CO Date	
2004	SALE	01-01-2003	02-06-2004	1	0000	CHECK VALUES			
2000	9808151	04-15-1999	12-01-1999	78,000	0000	SFR FOR Y2K			
1999	9808151	09-14-1998	12-01-1998	78,000	0000	SFR/10612 REAGANS RUN DR			

Sales Information								Exemptions			
Instrument No	Book/Page	Sale Date	Instr	Q/U	Code	Vac/Imp	Sale Price	Code	Description	Year	Amount
2023123942	6223 1726	09-20-2023	WD	Q	01	I	350,000	039	HOMESTEAD	2024	25000
	4667 1547	08-04-2015	CT	U	U	I	113,500	059	ADDITIONAL HOMESTEAD	2024	25000
	2943 1738	07-26-2005	QC	U	U	I	0				
	2495 0362	12-29-2003	WD	Q	Q	I	132,900				
	1888 2091	11-28-2000	WD	Q	Q	I	106,000				
Total											50,000.00

Value Summary										
Land Value	Bldg Value	Misc Value	Market Value	Deferred Amt	Assd Value	Cnty Ex Amt	Co Tax Val	Sch Tax Val	Previous Valu	
110,000	192,461	0	302,461	0	302461	50,000.00	252461	277461	296,491	

**Parcel Notes**

1888/2091 KIMBERLY WALTERS ENGLILIS TO JOHN A & JEAN D CHRISTMAS HW AND JOHN P CHRISTMAS SINGLE JTWROS  
 02 QG FROM 475 FER 122001  
 03 QG FROM 500 FER 102102  
 2495/362 JOHN A & JEAN D CHRISTMAS AND JOHN P & JOY L CHRISTMAS TO ROBERT E PILLOW & BLANCA M SORIA HW  
 04X BLANCA SORIA IS NOT A PERMANENT RESIDENT ALIEN FN 022094  
 2943/1738 BLANCA SORIA TO ROBERT PILLOW JR  
 2943/1738 ASSUMED ROBERT E PILLOW AND ROBERT PILLOW JR SAME PERSON  
 14X PILLOW RENEWAL CARD RETURNED WITH ADDR OF 12020 WINDY RIDGE LN CLERMONT FL 34711 CMD 021014  
 14X INTENT TO DENY RETURNED FROM PO NOT DELIVERABLE AS ADDRESSED 032014  
 14X ROBERT PILLOW DENIAL RETURNED TO SENDER UNABLE TO FORWARD KM 070814  
 14TR NO SUCH NUMBER 12020 WINDY RIDGE LN CLERMONT FL 34711 9640  
 4667/1547 CT VS ROBERT EMERY PILLOW JR AND BLANCA MARIA SORIA AND LENDERS CORP AND REAGANS RUN HOA INC AND CAPITAL ONE BANK AND CENTRAL FL EDUCATORS FEDERAL CREDIT UNION PROP SOLD TO AMERICAN HOMES 4 RENT PROPERTIES SEVEN LLC  
 19VAB PETITION 2019-106 DLS 091219  
 19VAB PETITION 2019-106 WITHDRAWN NO CHANGE TJW 121319  
 21 MAILING ADDR CHGD FROM 30601 AGOURA RD STE 200L AGOURA HILLS CA 91301 INFO SCANNED TO AK3796562 DW 122320  
 6223/1726 AMERICAN HOMES 4 RENT PROPERTIES SEVEN LLC TO CLAUDIO NICOLINI SINGLE  
 24CC EFILE HX APP CP 091624

\*\*\*Information on this Property Record Card is compiled and used by the Lake County Property Appraiser for the sole purpose of ad valorem property tax assessment administration in accordance with the Florida Constitution, Statutes, and Administrative Code. The Lake County Property Appraiser makes no representations or warranties regarding the completeness and accuracy of the data herein, its use or interpretation, the fee or equitable title ownership of the property, and assumes no liability associated with the use or misuse. See the posted Site Notice on our website for details.\*\*\*

Alternate Key 3775663  
 Parcel ID 12-23-25-1100-000-09100

**LCPA Property Record Card**  
 Roll Year 2024 Status: A

2024-0272 Comp 3  
 PRC Run: 12/5/2024 By  
 Card # 1 of 1

Current Owner		
PACHECO RICARDO AND ALICIA HERNAND		
10832 ARIA CT		
CLERMONT	FL	34711

Comp 3

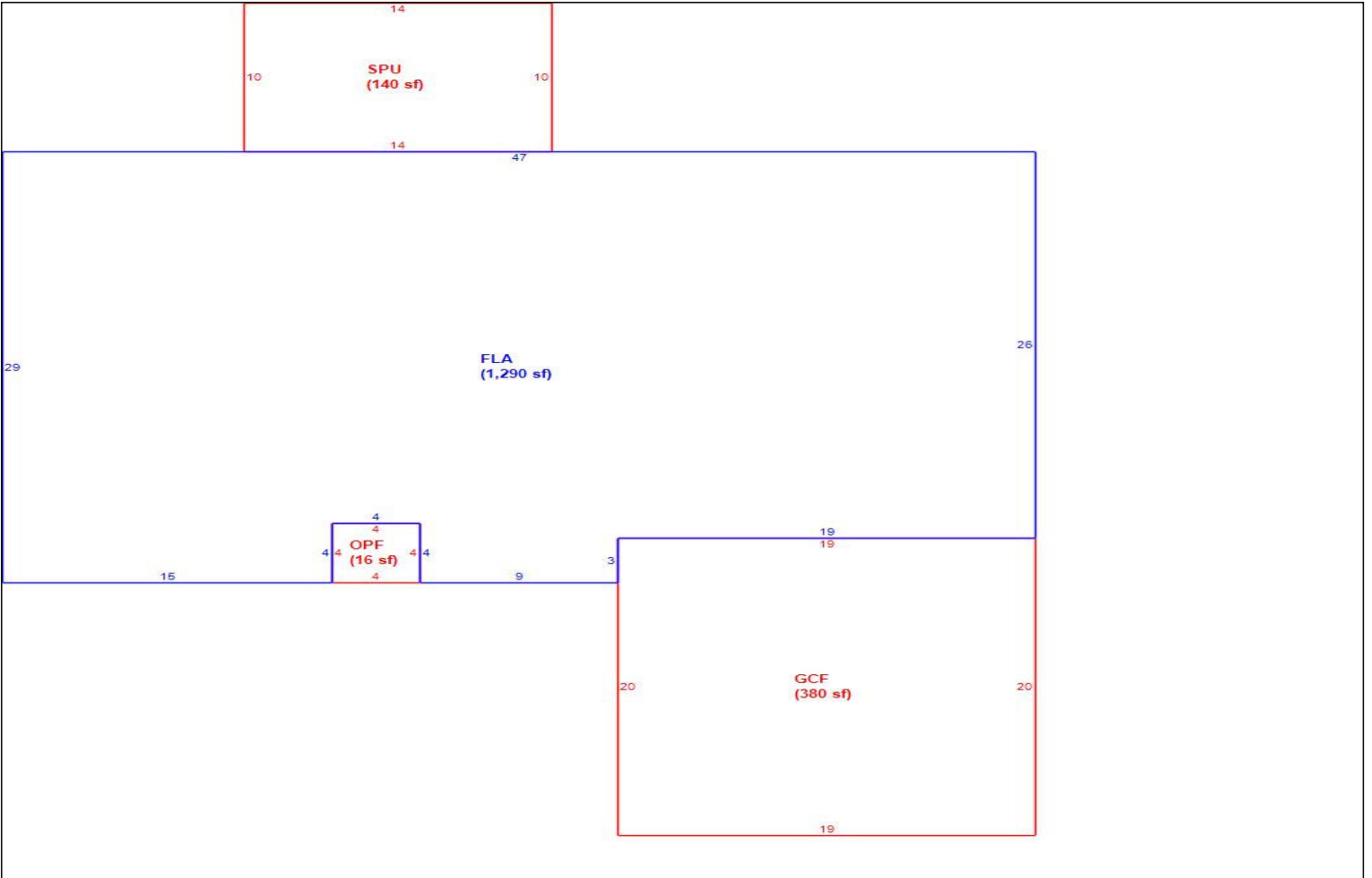
Property Location			
Site Address	10832 ARIA CT		
	CLERMONT	FL	34711
Mill Group	0005	NBHD	1797

Property Use	Last Inspection
00100 SINGLE FAMILY	PJF 01-01-202

Legal Description
LAKE CRESCENT PINES EAST SUB LOT 91 PB 38 PGS 77-79 ORB 6179 PG 1762

Land Lines												
LL	Use Code	Front	Depth	Notes Adj	Units	Unit Price	Depth Factor	Loc Factor	Shp Factor	Phys Factor	Class Val	Land Value
1	0100	0	0		1.00 LT	55,000.00	0.0000	2.00	1.000	1.000	0	110,000
Total Acres		0.00		JV/Mkt		0		Total Adj JV/Mkt		110,000		
Classified Acres		0		Classified JV/Mkt		110,000		Classified Adj JV/Mkt		0		

Sketch			
Bldg 1	Sec 1	of 1	Replacement Cost 196,179
		Deprec Bldg Value 190,294	Multi Story 0



Building Sub Areas				Building Valuation		Construction Detail			
Code	Description	Living Are	Gross Are	Eff Area	Year Built	Imp Type	R1	Bedrooms	3
FLA	FINISHED LIVING AREA	1,290	1,290	1290	1998	No Stories	1.00	Full Baths	2
GAR	GARAGE FINISH	0	380	0	120.64	Quality Grade	680	Half Baths	0
OPF	OPEN PORCH FINISHE	0	16	0	196,179	Wall Type	03	Heat Type	6
SPU	SCREEN PORCH UNFIN	0	140	0	EX	Foundation	3	Fireplaces	0
TOTALS		1,290	1,826	1,290	97.00	Roof Cover	3	Type AC	03
					0				
					Functional Obsol				
					Building RCNLD	190,294			

Alternate Key 3775663  
 Parcel ID 12-23-25-1100-000-09100

**LCPA Property Record Card**  
 Roll Year 2024 Status: A

2024-0272 Comp 3  
 PRC Run: 12/5/2024 By  
 Card # 1 of 1

Miscellaneous Features									
*Only the first 10 records are reflected below									
Code	Description	Units	Type	Unit Price	Year Blt	Effect Yr	RCN	%Good	Apr Value

Building Permits									
Roll Year	Permit ID	Issue Date	Comp Date	Amount	Type	Description	Review Date	CO Date	
2024	2023031229	03-25-2023	04-12-2024	2,400	0002	REPL WINDOWS 5	04-12-2024		
2006	SALE	01-01-2005	05-30-2006	1	0000	CHECK VALUE			
1999	8040097	04-01-1998	12-01-1998	1,680	0000	10X14 SCRNM RM			
1999	7120906	01-05-1998	12-01-1998	66,534	0000	SFR			

Sales Information								Exemptions			
Instrument No	Book/Page	Sale Date	Instr	Q/U	Code	Vac/Imp	Sale Price	Code	Description	Year	Amount
2023087592	6179 1762	07-12-2023	WD	Q	01	I	335,000				
2017003708	4888 0708	12-30-2016	WD	U	U	I	100,000				
	4276 2405	02-01-2013	WD	U	U	I	90,000				
	2797 2381	03-31-2005	WD	Q	Q	I	185,000				
	1608 0880	04-29-1998	WD	Q	Q	I	84,400				
Total											0.00

Value Summary										
Land Value	Bldg Value	Misc Value	Market Value	Deferred Amt	Assd Value	Cnty Ex Amt	Co Tax Val	Sch Tax Val	Previous Valu	
110,000	190,294	0	300,294	0	300294	0.00	300294	300294	294,487	

**Parcel Notes**

02 LOC FROM 177 TO 200 QG FROM 475 TO 525 FER 061402  
 03 QG FROM 525 FER 101702  
 04 QG FROM 550 FER 020604  
 05 UPDATE LOC FROM 200 QG FROM 590 DN 012005  
 2797/2381 PAUL B & DIANE S MC CARTHY TO DAVID A OLZEROWICZ SINGLE AND CINDY HAYS SINGLE JTWROS  
 06X DAVID OLZEROWICZ MARRIED CINDY MAE HAYS 072705 ML FROM JAMAICA  
 4276/2405 DAVID A & CINDY OLZEROWICZ TO GARLA J COMPSTON SINGLE  
 14SALE ORB 4276/2405 U SALE SHORT SALE PER MLS G4688665 INFO SCANNED DN 031014  
 4888/708 GARLA J COMPSTON TO SAMANTHA J COMPSTON SINGLE  
 17X COURTESY HX CARD SENT 022117  
 18STORM 091117 PARCEL SUSTAINED HURRICANE IRMA DAMAGE TJW 010818  
 6179/1762 SAMANTHA J COMPSTON TO RICARDO PACHECO SINGLE AND ALICIA HERNANDEZ SINGLE JTWROS

\*\*\*Information on this Property Record Card is compiled and used by the Lake County Property Appraiser for the sole purpose of ad valorem property tax assessment administration in accordance with the Florida Constitution, Statutes, and Administrative Code. The Lake County Property Appraiser makes no representations or warranties regarding the completeness and accuracy of the data herein, its use or interpretation, the fee or equitable title ownership of the property, and assumes no liability associated with the use or misuse. See the posted Site Notice on our website for details.\*\*\*