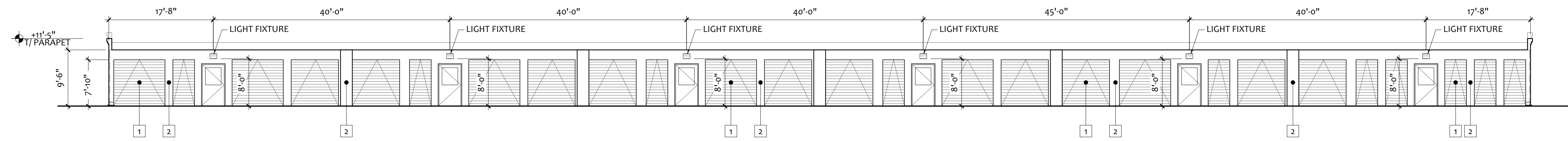


EXTERIOR FINISH LEGEND			
CODE	MATERIAL	MANUFACTURER	DESCRIPTION
			COLOR
1	EXTERIOR PAINT ON MTL. DOOR	SHERWIN WILLIAMS	EVERGREEN
2	EXTERIOR PAINT ON E.I.F.S. / METAL	SHERWIN WILLIAMS	SANDSTONE
3	EXTERIOR PAINT OVER E.I.F.S.	SHERWIN WILLIAMS	BLUE GRAY

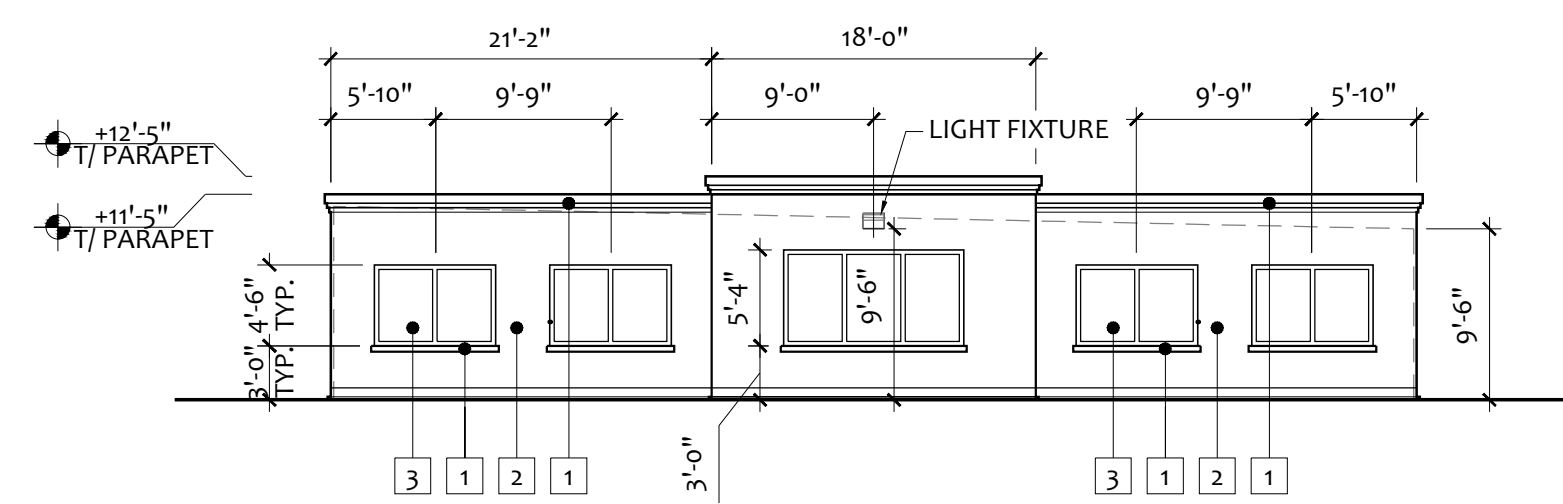
COLORS ARE PER BETCO COLOR PALETTE UNLESS OTHERWISE NOTED

All ideas, designs, arrangements and plans indicated or represented by this drawing are owned by and are the sole property of ELEVEN18 ARCHITECTURE, P.L.L.C. and were created and developed only for use on and in connection with the project specified herein. None of the ideas, designs, arrangements and plans shall be used by or disclosed to any person, firm or corporation for any purpose whatsoever without the express written permission of ELEVEN18 ARCHITECTURE, P.L.L.C.

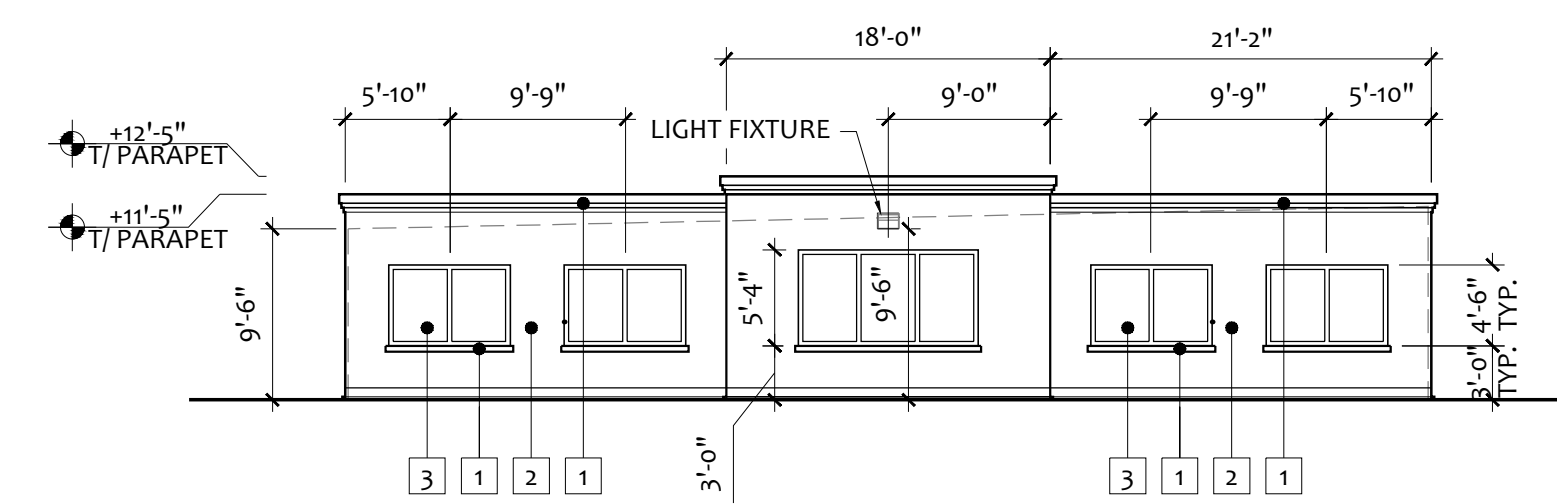
WARNING: Reproduction here-of is a criminal offense under 18U.S.C. SEC 506. Unauthorized disclosure may constitute trade secret misappropriation in violation of 18C.F.R. 1.24-2.41-1 ET. SEQ and other laws. The ideas, arrangements and designs disclosed herein may be patented or be the subject of a pending patent application.



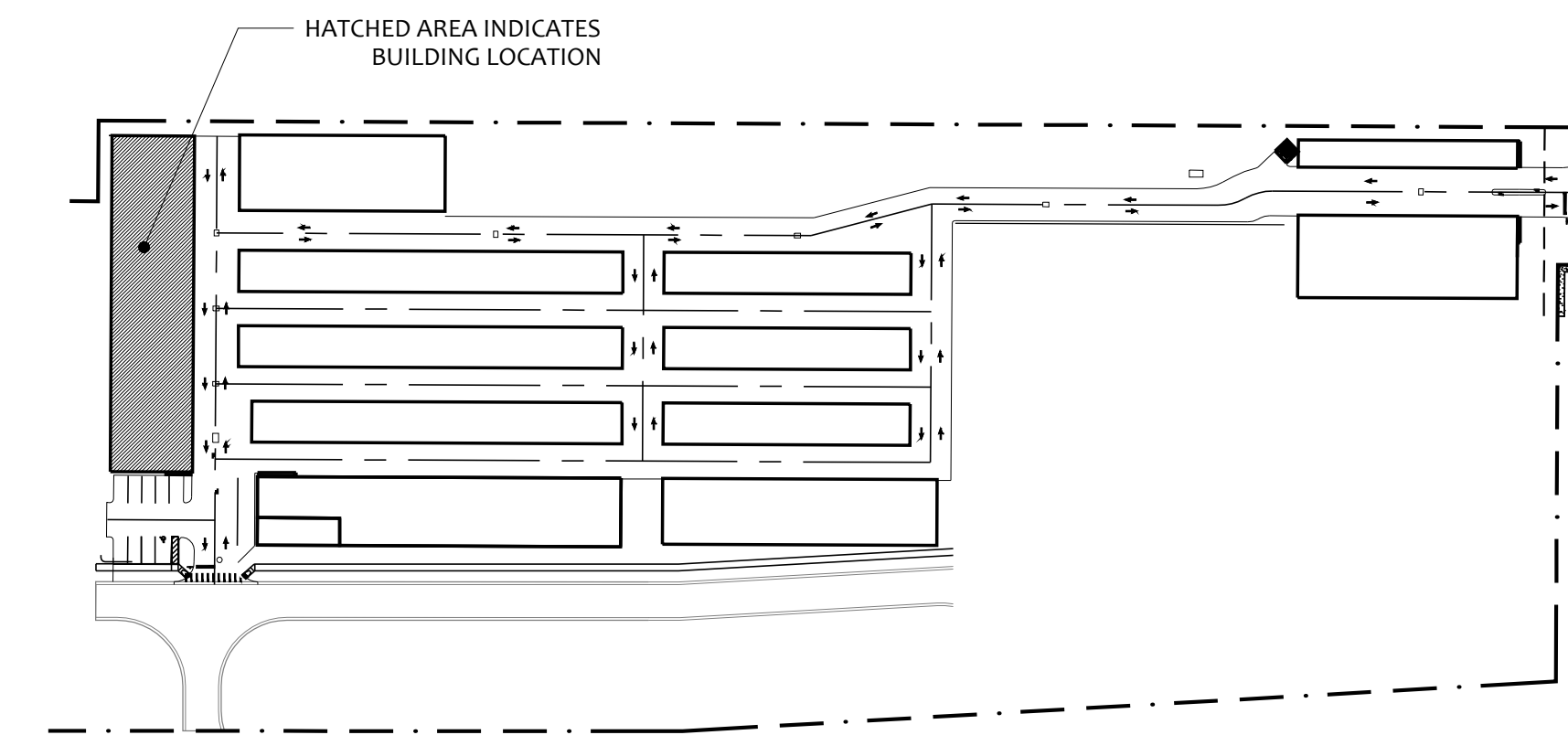
05 BUILDING 2 - EAST ELEVATION  
3/32" = 1'-0"



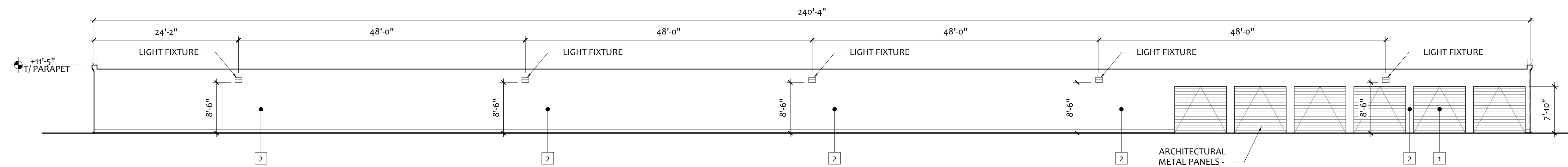
04 BUILDING 2 - SOUTH ELEVATION  
3/32" = 1'-0"



03 BUILDING 2 - NORTH ELEVATION  
3/32" = 1'-0"



02 KEY PLAN  
3/32" = 1'-0"

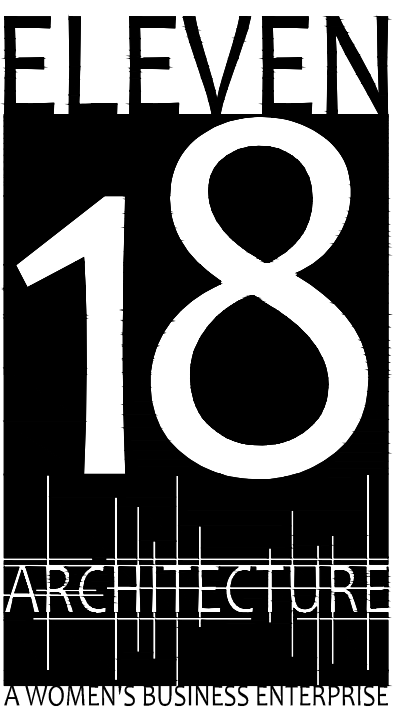


01 BUILDING 2 - WEST ELEVATION  
3/32" = 1'-0"

CONSULTANT

07 MAR 2016

- Mark Adams, AIA  
FL. REG.#AR0094473
- Kim Day McCann, AIA  
FL. REG.#AR0091738



License: AA26001884  
424 E. Central Blvd. #542  
Orlando, FL 32801  
www.eleven18architecture.com  
Mark Adams: 407-756-2119  
Kim Day: 407-416-9960  
Neke White: 407-416-9965

© Copyright 2016 ELEVEN18 ARCHITECTURE, P.L.L.C.  
All Rights Reserved Worldwide

REVISIONS

#	DATE	DESC.
--	01 JUN 15	PERMIT SET
--	20 NOV 15	PERMIT SET
--	01 MAR 16	COMMENT RESPONSE
--	07 MAR 16	COMMENT RESPONSE

PROJECT NAME:

**Rockers Lockers**

PROJECT CLIENT:  
**Rocker Family Trust**

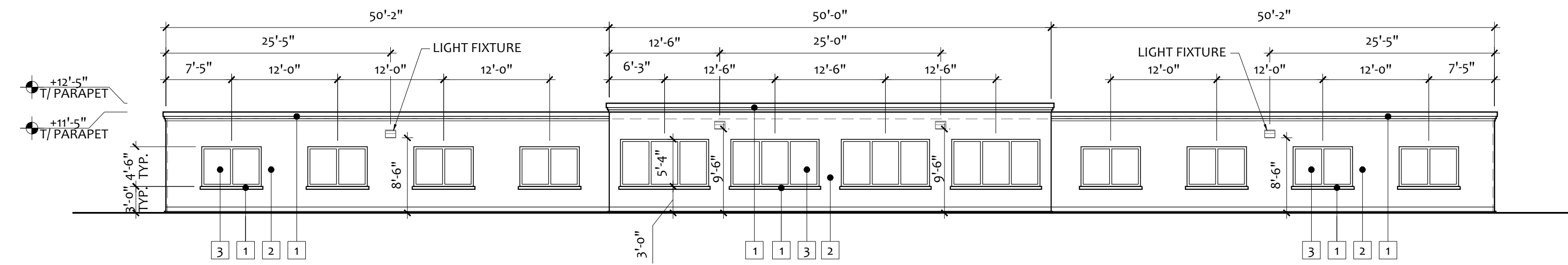
DATE: 07 MAR 2016	DRAWN BY: KM
JOB NUMBER: EXTERIOR ELEVATIONS	CHECKED BY: MA
	<b>A-301</b>

EXTERIOR FINISH LEGEND			
CODE	MATERIAL	MANUFACTURER	DESCRIPTION
			COLOR
1	EXTERIOR PAINT ON MTL. DOOR	SHERWIN WILLIAMS	EVERGREEN
2	EXTERIOR PAINT ON E.I.F.S. / METAL	SHERWIN WILLIAMS	SANDSTONE
3	EXTERIOR PAINT OVER E.I.F.S.	SHERWIN WILLIAMS	BLUE GRAY

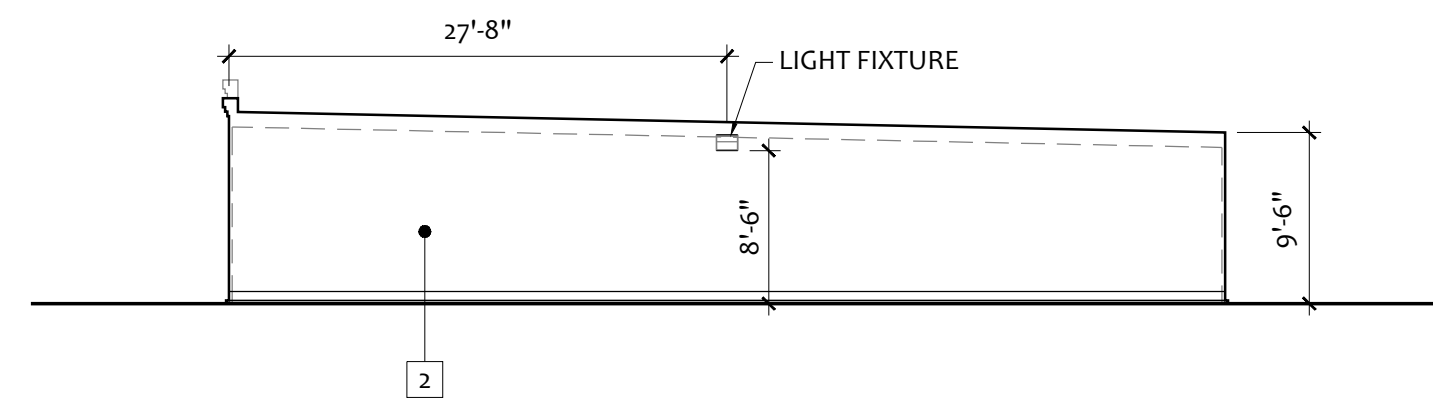
COLORS ARE PER BETCO COLOR PALETTE UNLESS OTHERWISE NOTED

All ideas, designs, arrangements and plans indicated or represented by this drawing are owned by and are the sole property of ELEVEN18 ARCHITECTURE, P.L.L.C. and were created and developed only for use on and in connection with the project specified here-in. None of the ideas, designs, arrangements and plans shall be used by or disclosed to any person, firm or corporation for any purpose whatsoever without the express written permission of ELEVEN18 ARCHITECTURE, P.L.L.C.

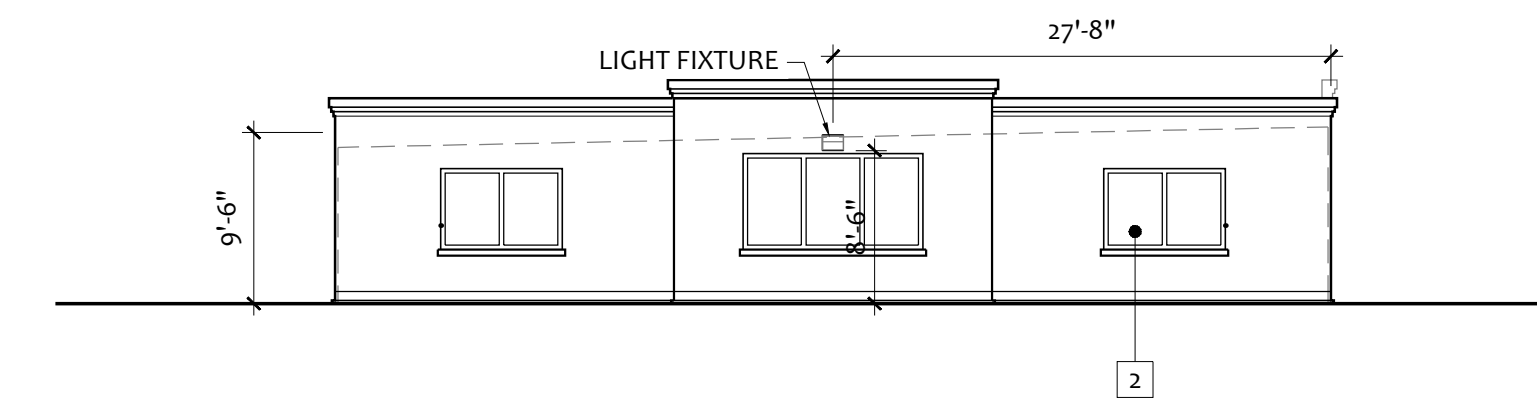
WARNING: Reproduction here-of is a criminal offense under 18U.S.C. SEC 506. Unauthorized disclosure may constitute a trade secret misappropriation in violation of 1.C.24-2-41-1 ET. SEQ and other laws. The ideas, arrangements and designs disclosed here-in may be patented or be the subject of a pending patent application.



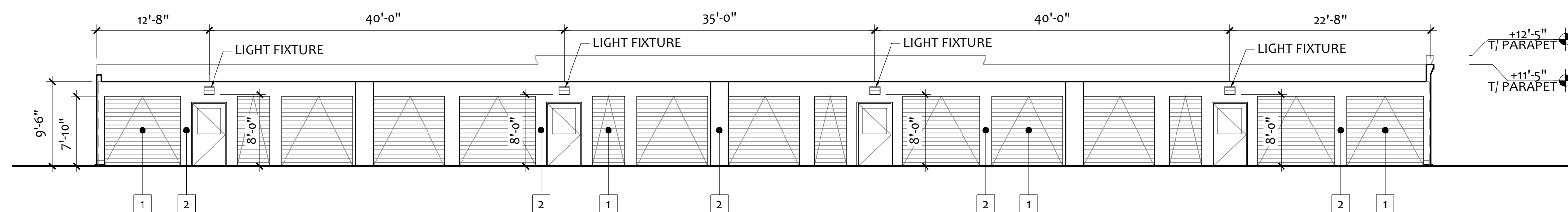
05 BUILDING 3 - NORTH ELEVATION  
3/32" = 1'-0"



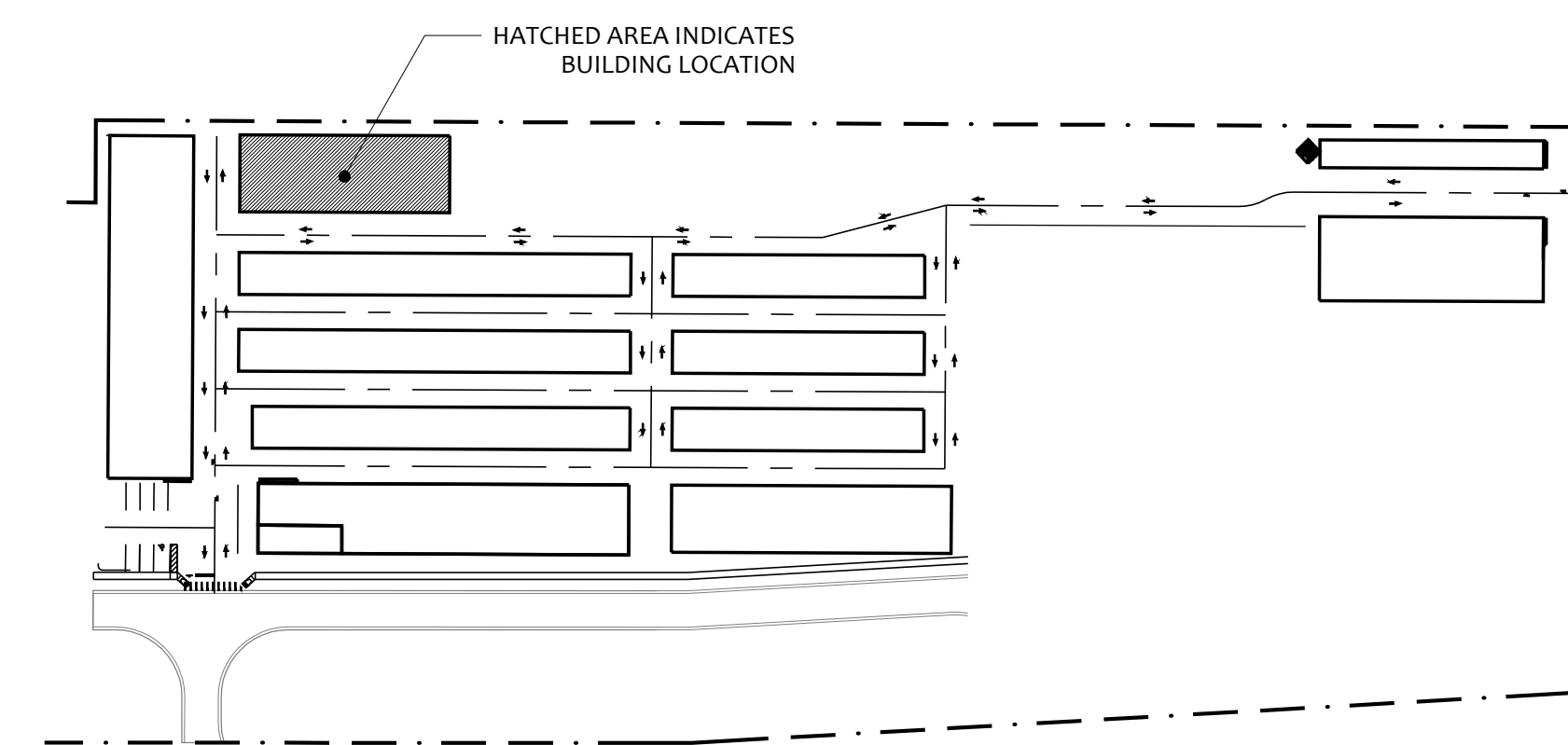
04 BUILDING 3 - WEST ELEVATION  
3/32" = 1'-0"



03 BUILDING 3 - EAST ELEVATION  
3/32" = 1'-0"



02 BUILDING 3 - SOUTH ELEVATION  
3/32" = 1'-0"

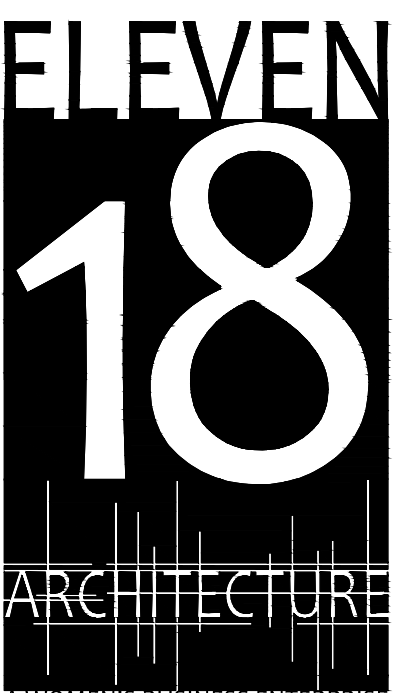


01 KEY PLAN  
3/32" = 1'-0"

CONSULTANT

07 MAR 2016

- Mark Adams, AIA  
FL. REG.#AR0094473
- Kim Day McCann, AIA  
FL. REG.#AR0091738



License: AA26001884  
424 E. Central Blvd. #542  
Orlando, FL 32801  
www.eleven18architecture.com  
Mark Adams: 407-756-2119  
Kim Day: 407-416-9960  
Neke White: 407-416-9965

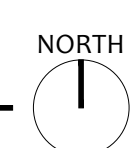
© Copyright 2016 ELEVEN18 ARCHITECTURE, P.L.L.C.  
All Rights Reserved Worldwide

REVISIONS		
#	DATE	DESC.
--	01 JUN 15	PERMIT SET
--	20 NOV 15	PERMIT SET
--	01 MAR 16	COMMENT RESPONSE
--	07 MAR 16	COMMENT RESPONSE

PROJECT NAME:

**Rockers Lockers**  
PROJECT CLIENT:  
**Rocker Family Trust**

DATE: 07 MAR 2016	DRAWN BY: KM
JOB NUMBER: EXTERIOR ELEVATIONS	CHECKED BY: MA
	<b>A-302</b>



EXTERIOR FINISH LEGEND			
CODE	MATERIAL	MANUFACTURER	DESCRIPTION
1	EXTERIOR PAINT ON MTL. DOOR	SHERWIN WILLIAMS	EVERGREEN
2	EXTERIOR PAINT ON E.I.F.S. / METAL	SHERWIN WILLIAMS	SANDSTONE
3	EXTERIOR PAINT OVER E.I.F.S.	SHERWIN WILLIAMS	BLUE GRAY

COLORS ARE PER BETCO COLOR PALETTE UNLESS OTHERWISE NOTED

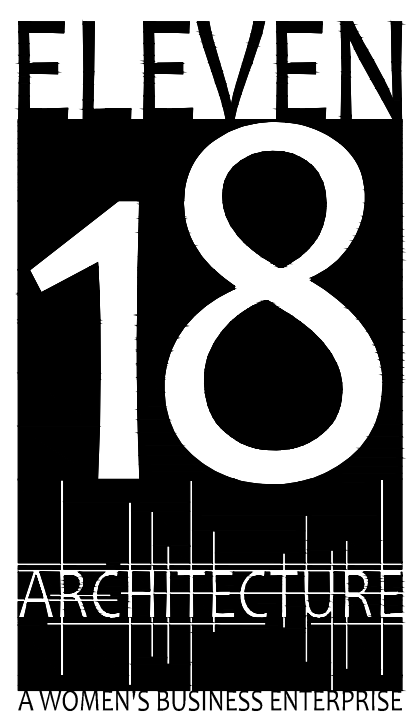
All ideas, designs, arrangements and plans indicated or represented by this drawing are owned by and are the sole property of ELEVEN18 ARCHITECTURE, P.L.L.C. and were created and developed only for use on and in connection with the project specified herein. None of the ideas, designs, arrangements and plans shall be used by or disclosed to any person, firm or corporation for any purpose whatsoever without the express written permission of ELEVEN18 ARCHITECTURE, P.L.L.C.

WARNING: Reproduction here-of is a criminal offense under 18U.S.C. SEC 506. Unauthorized disclosure may constitute trade secret misappropriation in violation of 1.C.24-2-41-1 ET.SEQ and other laws. The ideas, arrangements and designs disclosed herein may be patented or be the subject of a pending patent application.

CONSULTANT

07 MAR 2016

Mark Adams, AIA  
 FL. REG.#AR0094473  
 Kim Day McCann, AIA  
 FL. REG.#AR0091738



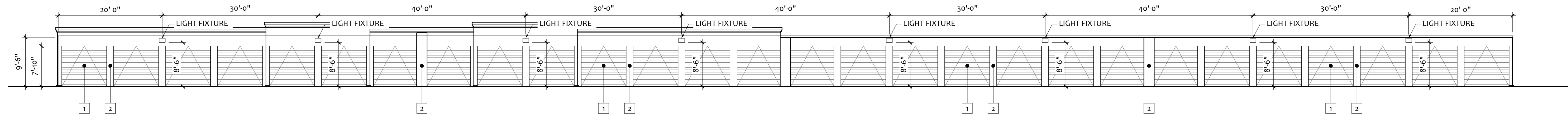
License: AA26001884  
 424 E. Central Blvd. #542  
 Orlando, FL 32801  
 www.eleven18architecture.com  
 Mark Adams: 407-756-2119  
 Kim Day: 407-416-9960  
 Neke White: 407-416-9965

© Copyright 2016 ELEVEN18 ARCHITECTURE, P.L.L.C.  
 All Rights Reserved Worldwide

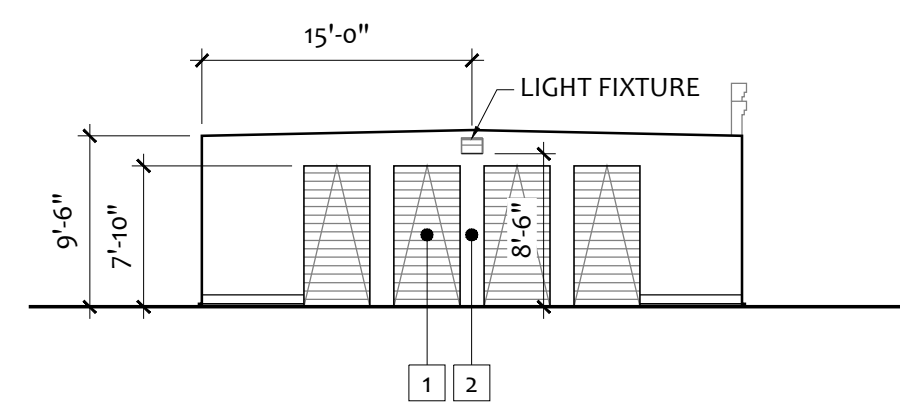
REVISIONS		
#	DATE	DESC.
--	01 JUN 15	PERMIT SET
--	20 NOV 15	PERMIT SET
--	01 MAR 16	COMMENT RESPONSE
--	07 MAR 16	COMMENT RESPONSE

PROJECT NAME:  
**Rockers Lockers**  
 PROJECT CLIENT:  
**Rocker Family Trust**

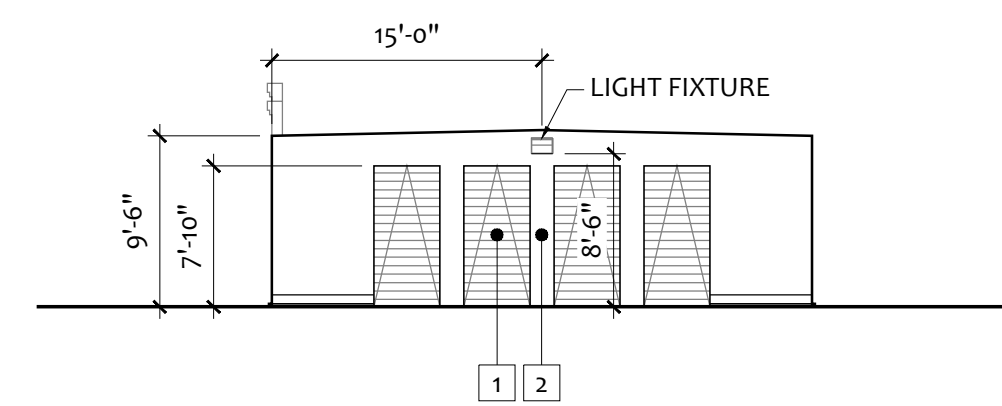
DATE: 07 MAR 2016	DRAWN BY: KM
JOB NUMBER: MA	CHECKED BY: MA
EXTERIOR ELEVATIONS	<b>A-303</b>



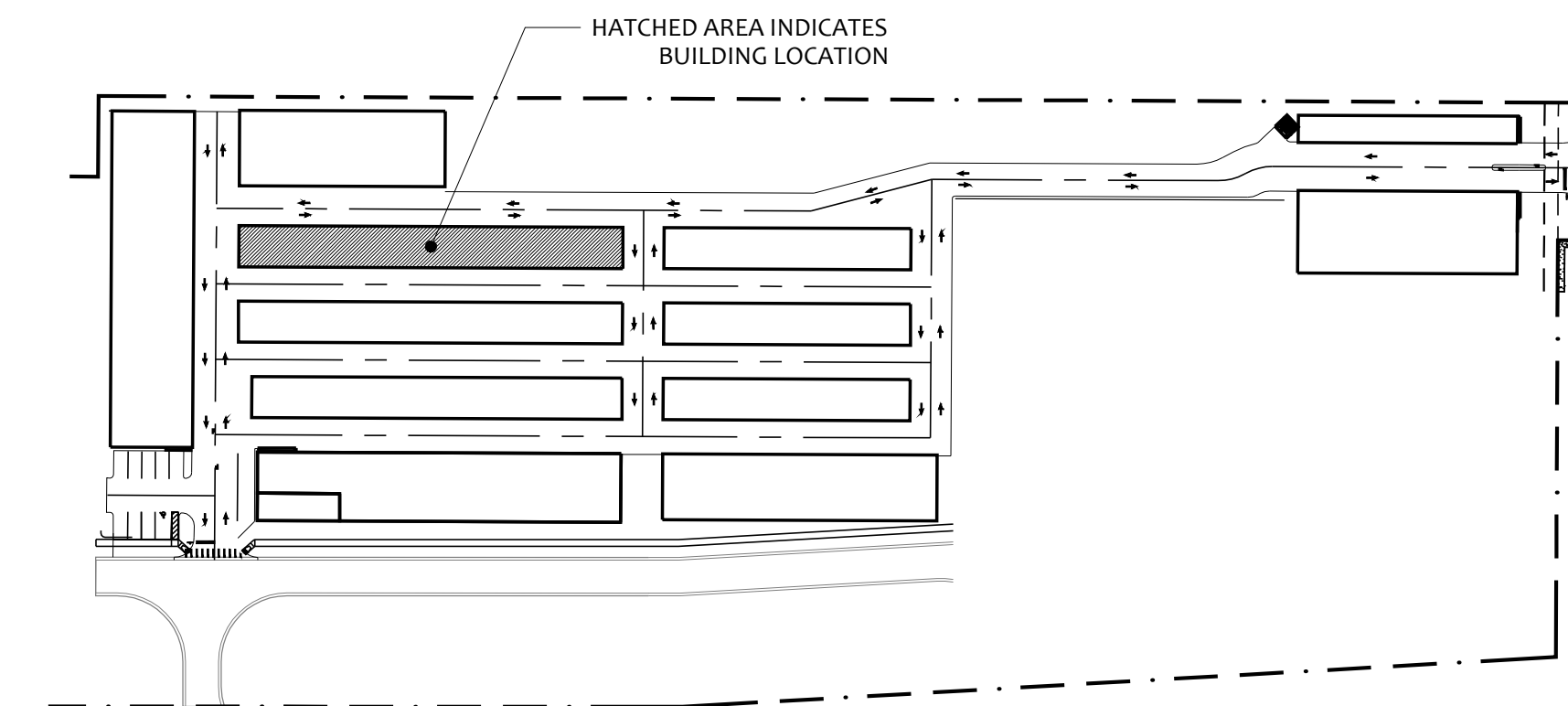
05 BUILDING 4 - NORTH ELEVATION  
 3/32" = 1'-0"



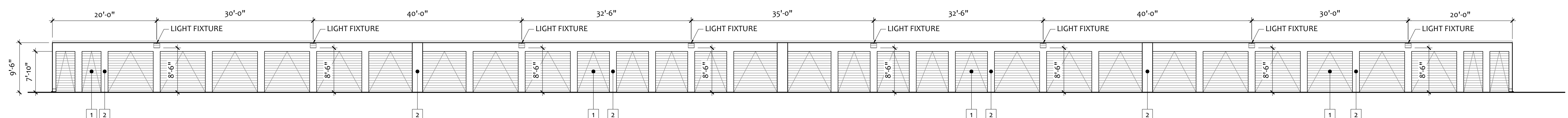
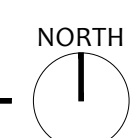
04 BUILDING 4 - WEST ELEVATION  
 3/32" = 1'-0"



03 BUILDING 4 - EAST ELEVATION  
 3/32" = 1'-0"



02 KEY PLAN  
 3/32" = 1'-0"



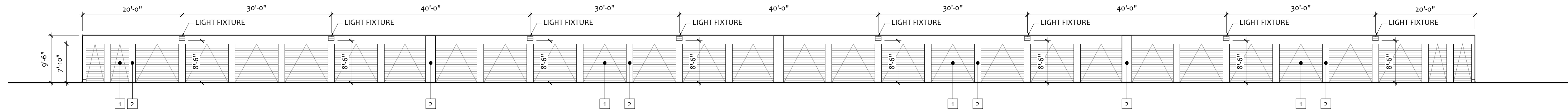
01 BUILDING 4 - SOUTH ELEVATION  
 3/32" = 1'-0"

EXTERIOR FINISH LEGEND			
CODE	MATERIAL	MANUFACTURER	DESCRIPTION
			COLOR
1	EXTERIOR PAINT ON MTL. DOOR	SHERWIN WILLIAMS	EVERGREEN
2	EXTERIOR PAINT ON E.I.F.S. / METAL	SHERWIN WILLIAMS	SANDSTONE
3	EXTERIOR PAINT OVER E.I.F.S.	SHERWIN WILLIAMS	BLUE GRAY

COLORS ARE PER BETCO COLOR PALETTE UNLESS OTHERWISE NOTED

All ideas, designs, arrangements and plans indicated or represented by this drawing are owned by and are the sole property of ELEVEN18 ARCHITECTURE, P.L.L.C. and were created and developed only for use on and in connection with the project specified herein. None of the ideas, designs, arrangements and plans shall be used by or disclosed to any person, firm or corporation for any purpose whatsoever without the express written permission of ELEVEN18 ARCHITECTURE, P.L.L.C.

WARNING: Reproduction here-of is a criminal offense under 18U.S.C. SEC 506. Unauthorized disclosure may constitute trade secret misappropriation in violation of 18C.F.R. 1.24-2.41-1 ET. SEQ and other laws. The ideas, arrangements and designs disclosed herein may be patented or be the subject of a pending patent application.

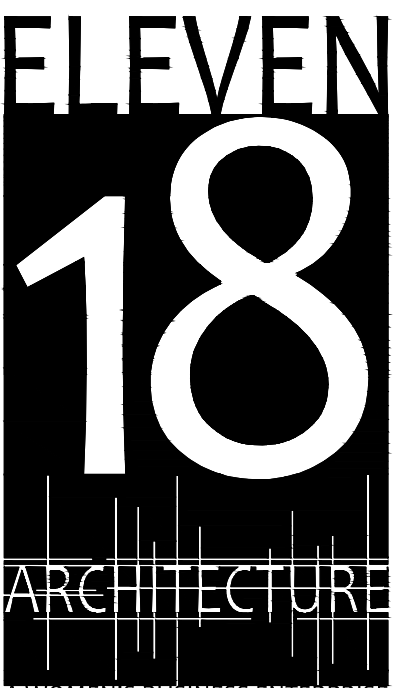


05 BUILDING 5 - NORTH ELEVATION  
3/32" = 1'-0"

CONSULTANT

07 MAR 2016

- Mark Adams, AIA  
FL. REG.#AR0094473
- Kim Day McCann, AIA  
FL. REG.#AR0091738



License: AA26001884  
424 E. Central Blvd. #542  
Orlando, FL 32801  
www.eleven18architecture.com  
Mark Adams: 407-756-2119  
Kim Day: 407-416-9960  
Neke White: 407-416-9965

© Copyright 2016 ELEVEN18 ARCHITECTURE, P.L.L.C.  
All Rights Reserved Worldwide

REVISIONS

#	DATE	DESC.
--	01 JUN 15	PERMIT SET
--	20 NOV 15	PERMIT SET
--	01 MAR 16	COMMENT RESPONSE
--	07 MAR 16	COMMENT RESPONSE

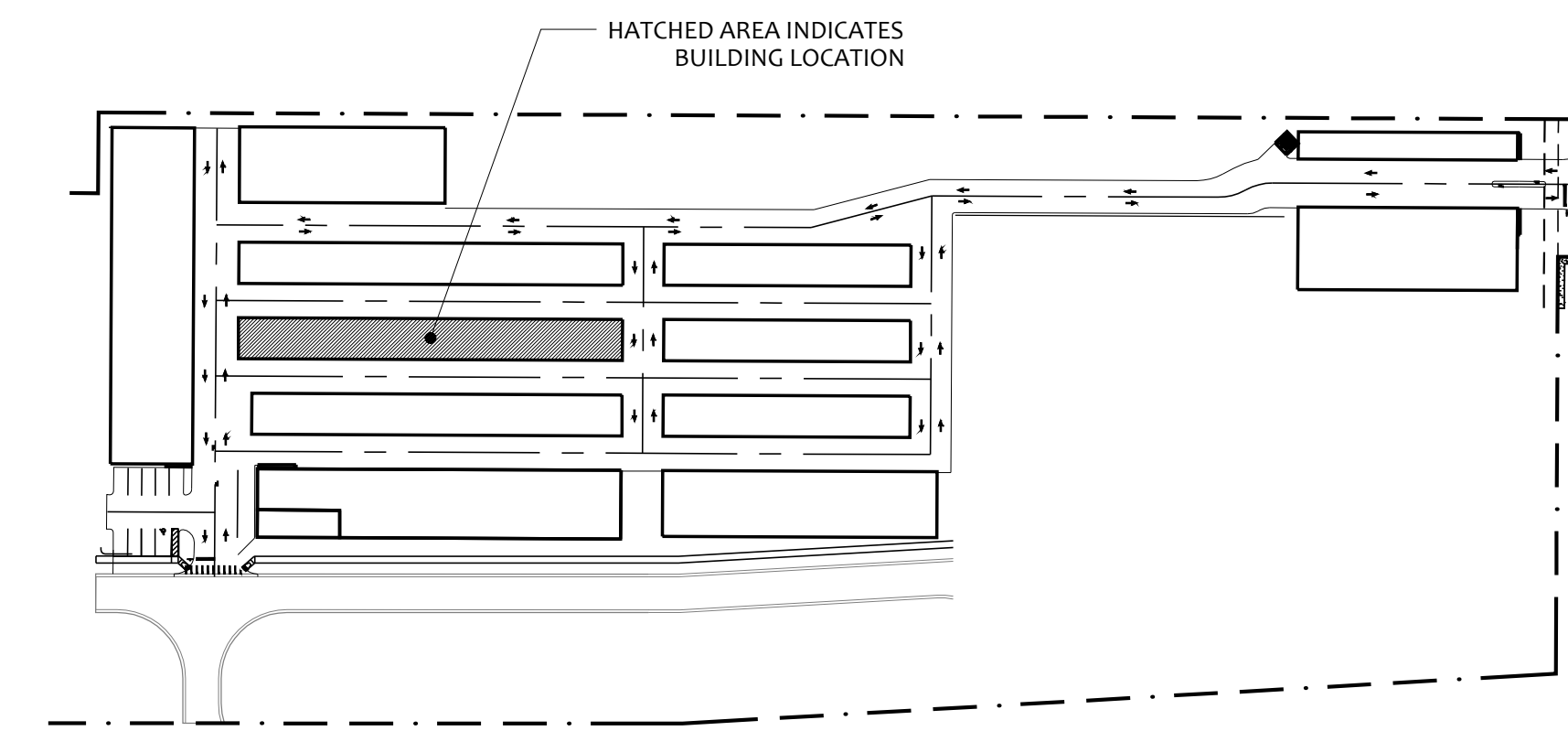

PROJECT NAME:

**Rockers  
Lockers**

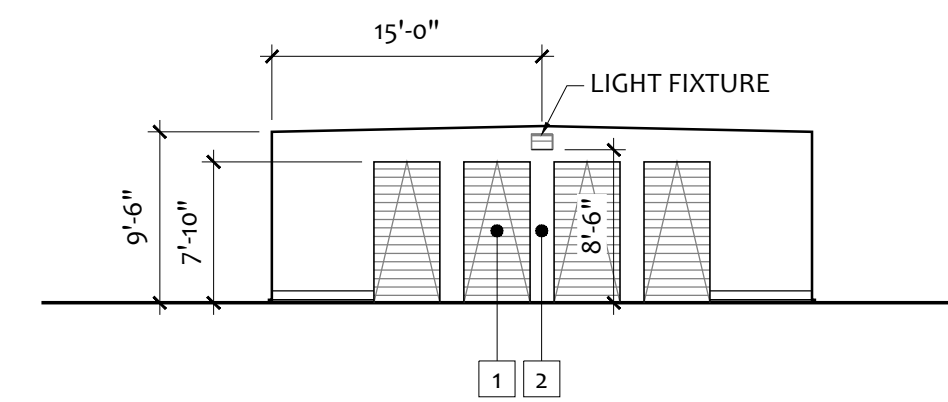
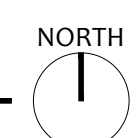
PROJECT CLIENT:

**Rocker Family  
Trust**

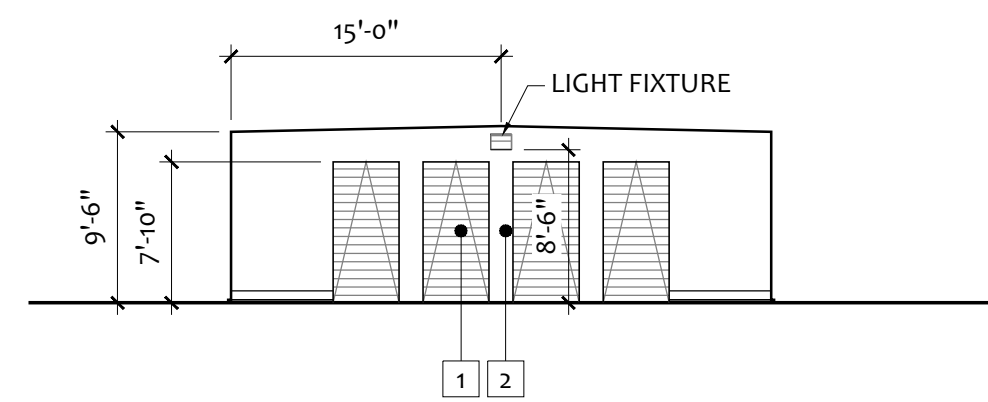
DATE: 07 MAR 2016	DRAWN BY: KM
JOB NUMBER: MA	CHECKED BY: MA
EXTERIOR ELEVATIONS	<b>A-304</b>



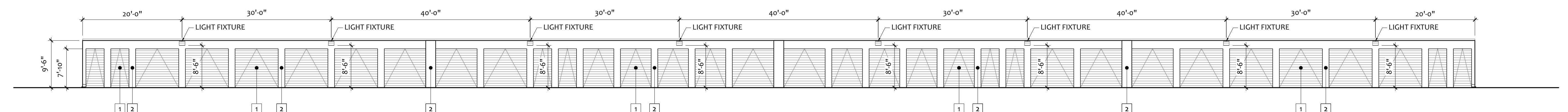
02 KEY PLAN  
3/32" = 1'-0"



03 BUILDING 5 - EAST ELEVATION  
3/32" = 1'-0"



04 BUILDING 5 - WEST ELEVATION  
3/32" = 1'-0"



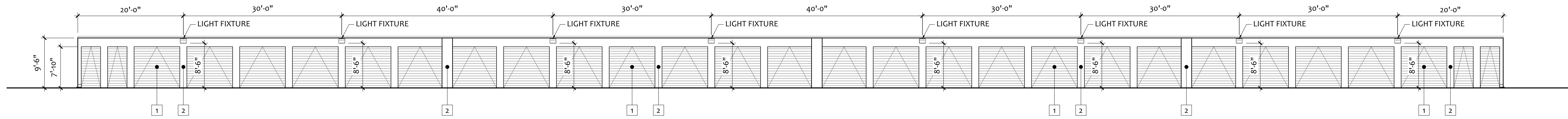
01 BUILDING 5 - SOUTH ELEVATION  
3/32" = 1'-0"

EXTERIOR FINISH LEGEND			
CODE	MATERIAL	MANUFACTURER	DESCRIPTION
			COLOR
1	EXTERIOR PAINT ON MTL. DOOR	SHERWIN WILLIAMS	EVERGREEN
2	EXTERIOR PAINT ON E.I.F.S. / METAL	SHERWIN WILLIAMS	SANDSTONE
3	EXTERIOR PAINT OVER E.I.F.S.	SHERWIN WILLIAMS	BLUE GRAY

COLORS ARE PER BETCO COLOR PALETTE UNLESS OTHERWISE NOTED

All ideas, designs, arrangements and plans indicated or represented by this drawing are owned by and are the sole property of ELEVEN18 ARCHITECTURE, P.L.L.C. and were created and developed only for use on and in connection with the project specified herein. None of the ideas, designs, arrangements and plans shall be used by or disclosed to any person, firm or corporation for any purpose whatsoever without the express written permission of ELEVEN18 ARCHITECTURE, P.L.L.C.

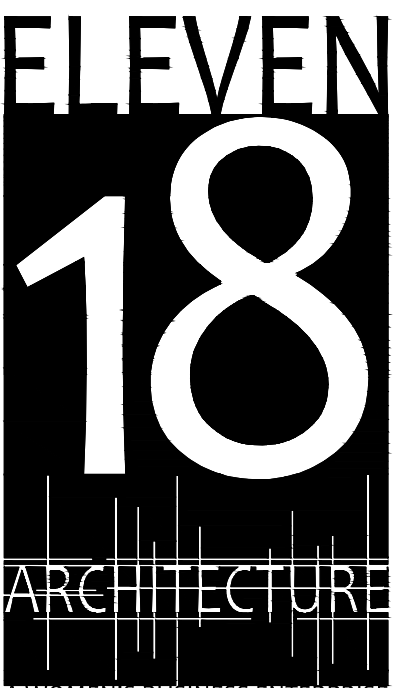
WARNING: Reproduction here-of is a criminal offense under 18U.S.C. SEC 506. Unauthorized disclosure may constitute trade secret misappropriation in violation of 1.C.24-2-41-1 ET.SEQ and other laws. The ideas, arrangements and designs disclosed herein may be patented or be the subject of a pending patent application.



05 BUILDING 6 - NORTH ELEVATION  
3/32" = 1'-0"

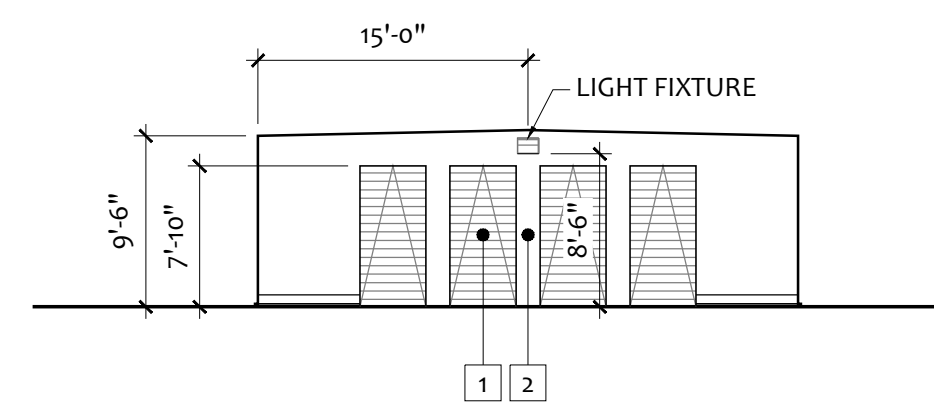
07 MAR 2016

- Mark Adams, AIA  
FL. REG.#AR0094473
- Kim Day McCann, AIA  
FL. REG.#AR0091738

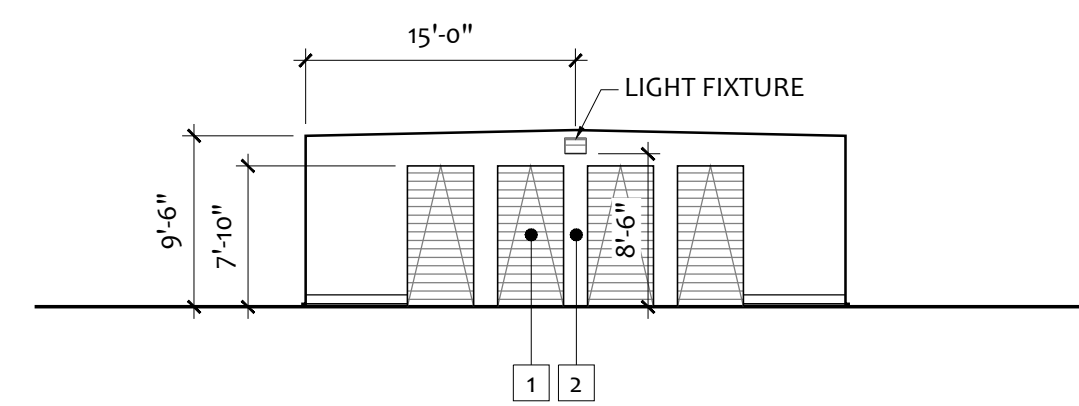


License: AA26001884  
424 E. Central Blvd. #542  
Orlando, FL 32801  
www.eleven18architecture.com  
Mark Adams: 407-756-2119  
Kim Day: 407-416-9960  
Neke White: 407-416-9965

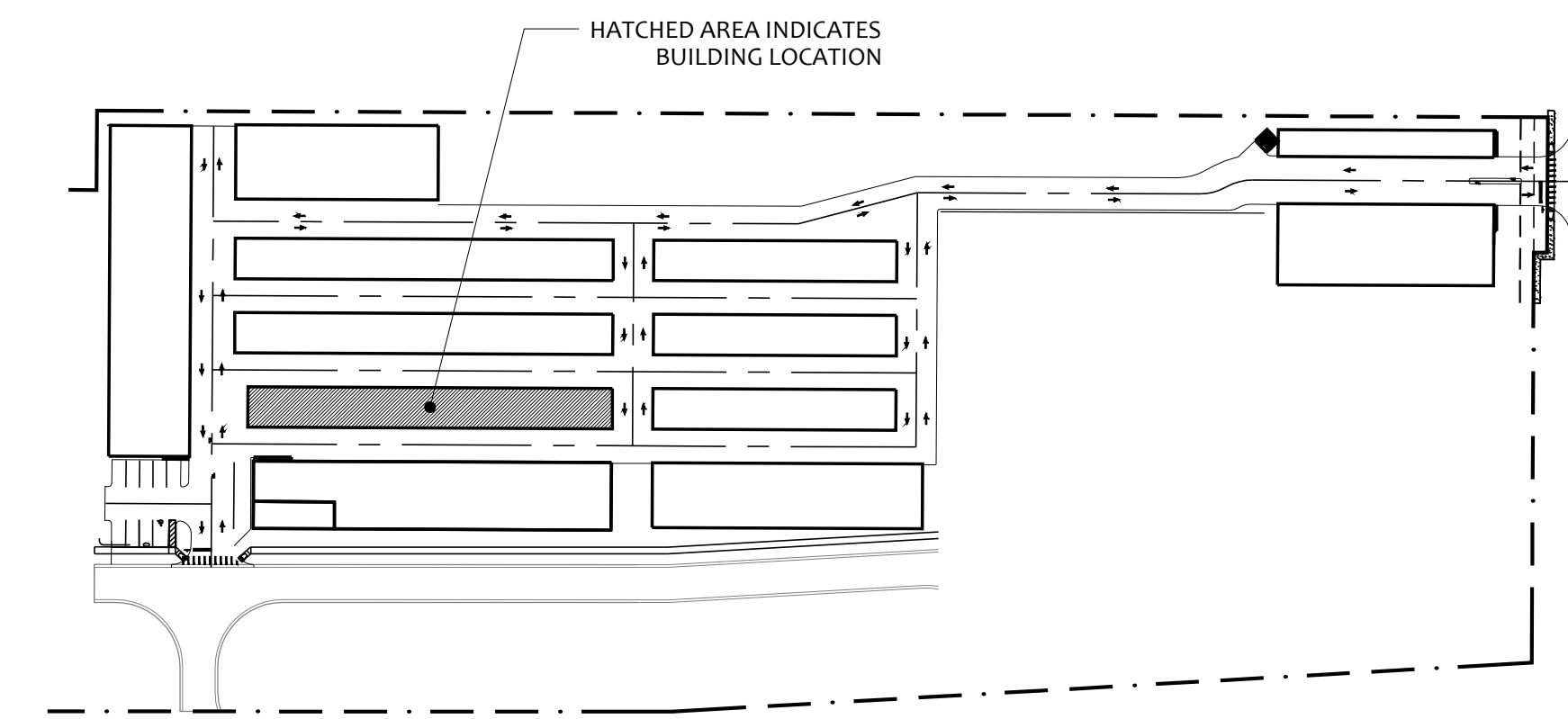
© Copyright 2016 ELEVEN18 ARCHITECTURE, P.L.L.C.  
All Rights Reserved Worldwide



04 BUILDING 6 - WEST ELEVATION  
3/32" = 1'-0"



03 BUILDING 6 - EAST ELEVATION  
3/32" = 1'-0"



02 KEY PLAN  
3/32" = 1'-0"

REVISIONS

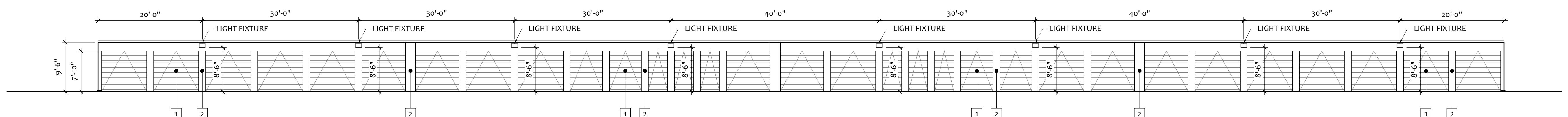
#	DATE	DESC.
--	01 JUN 15	PERMIT SET
--	20 NOV 15	PERMIT SET
--	01 MAR 16	COMMENT RESPONSE
--	07 MAR 16	COMMENT RESPONSE

PROJECT NAME:

**Rockers  
Lockers**

PROJECT CLIENT:

**Rocker Family  
Trust**



01 BUILDING 6 - SOUTH ELEVATION  
3/32" = 1'-0"

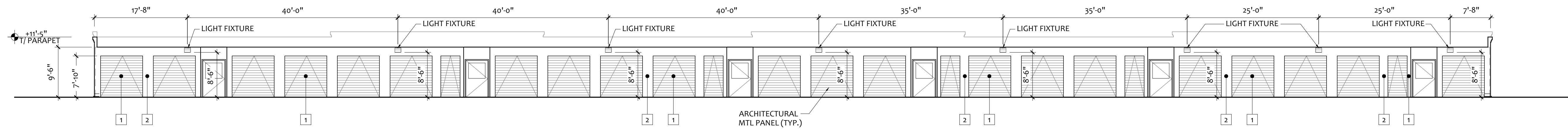
DATE: 07 MAR 2016	DRAWN BY: KM
JOB NUMBER: EXTERIOR ELEVATIONS	CHECKED BY: MA
	<b>A-305</b>

EXTERIOR FINISH LEGEND			
CODE	MATERIAL	MANUFACTURER	DESCRIPTION
			COLOR
1	EXTERIOR PAINT ON MTL. DOOR	SHERWIN WILLIAMS	EVERGREEN
2	EXTERIOR PAINT ON E.I.F.S. / METAL	SHERWIN WILLIAMS	SANDSTONE
3	EXTERIOR PAINT OVER E.I.F.S.	SHERWIN WILLIAMS	BLUE GRAY

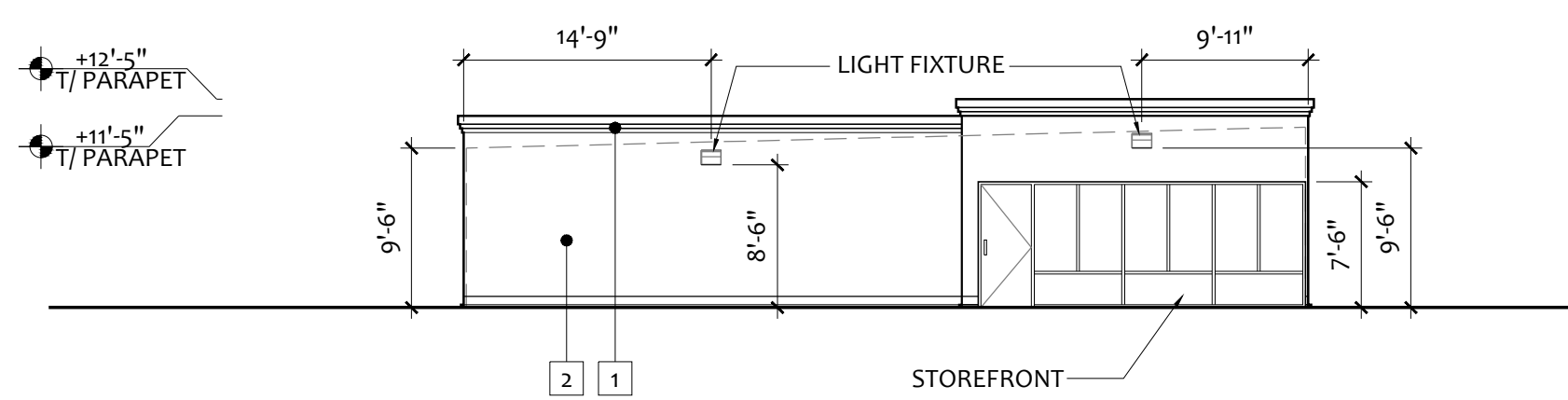
COLORS ARE PER BETCO COLOR PALETTE UNLESS OTHERWISE NOTED

All ideas, designs, arrangements and plans indicated or represented by this drawing are owned by and are the sole property of ELEVEN18 ARCHITECTURE, P.L.L.C. and were created and developed only for use on and in connection with the project specified herein. None of the ideas, designs, arrangements and plans shall be used by or disclosed to any person, firm or corporation for any purpose whatsoever without the express written permission of ELEVEN18 ARCHITECTURE, P.L.L.C.

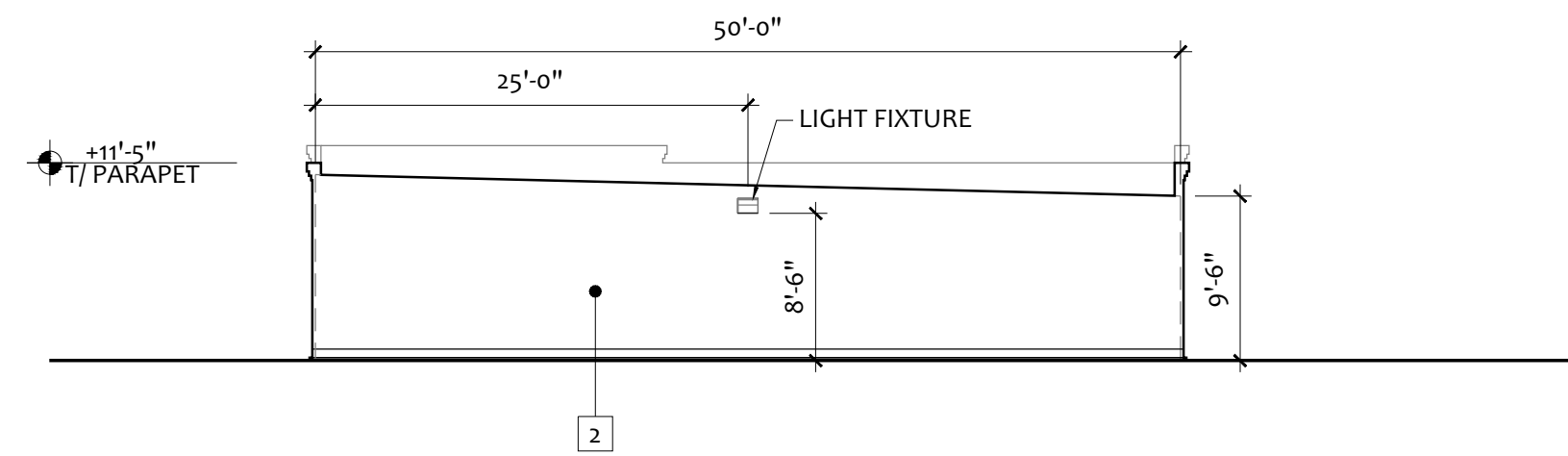
WARNING: Reproduction here-of is a criminal offense under 18U.S.C. SEC 506. Unauthorized disclosure may constitute trade secret misappropriation in violation of 1.C.24-2-41-1 ET. SEQ and other laws. The ideas, arrangements and designs disclosed herein may be patented or be the subject of a pending patent application.



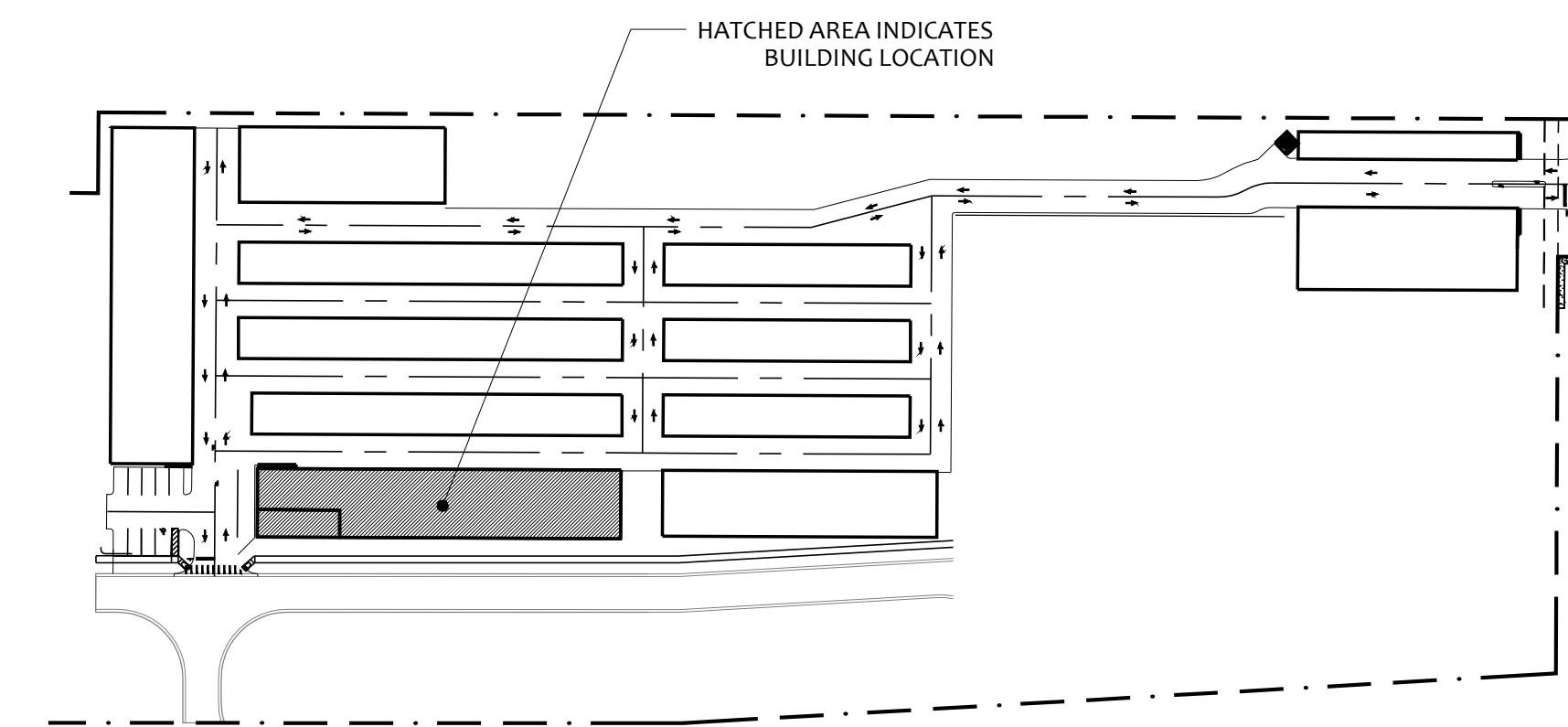
05 BUILDING 7/1 - NORTH ELEVATION  
3/32" = 1'-0"



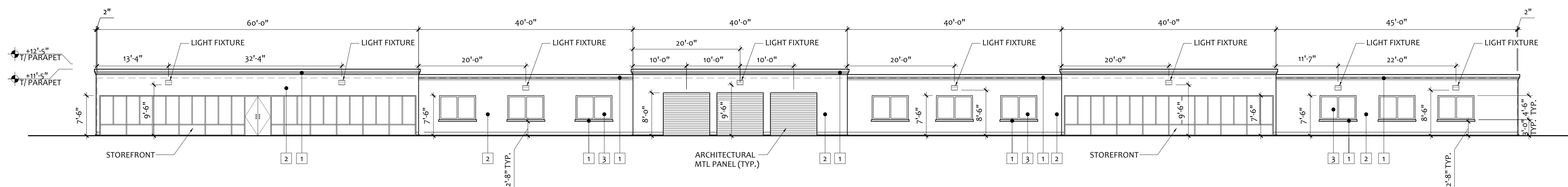
04 BUILDING 7/1 - WEST ELEVATION  
3/32" = 1'-0"



03 BUILDING 7/1 - EAST ELEVATION  
3/32" = 1'-0"



02 KEY PLAN  
3/32" = 1'-0"

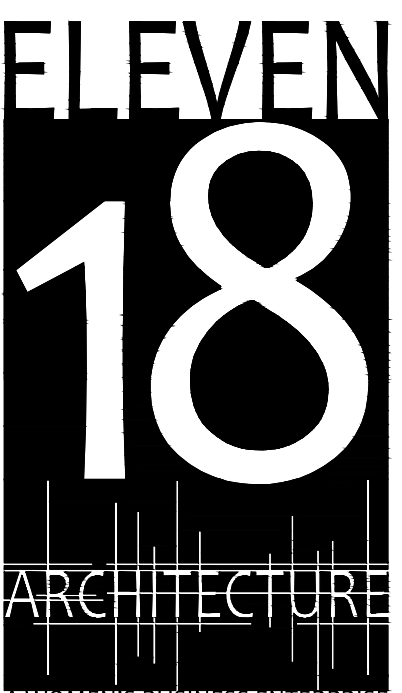


01 BUILDING 7/1 - SOUTH ELEVATION  
3/32" = 1'-0"

CONSULTANT

07 MAR 2016

- Mark Adams, AIA  
FL. REG.#AR0094473
- Kim Day McCann, AIA  
FL. REG.#AR0091738



A WOMEN'S BUSINESS ENTERPRISE  
License: AA26001884  
424 E. Central Blvd. #542  
Orlando, FL 32801  
www.eleven18architecture.com  
Mark Adams: 407-756-2119  
Kim Day: 407-416-9960  
Neke White: 407-416-9965

© Copyright 2016 ELEVEN18 ARCHITECTURE, P.L.L.C.  
All Rights Reserved Worldwide

REVISIONS		
#	DATE	DESC.
--	01 JUN 15	PERMIT SET
--	20 NOV 15	PERMIT SET
--	01 MAR 16	COMMENT RESPONSE
--	07 MAR 16	COMMENT RESPONSE

PROJECT NAME:

**Rockers Lockers**  
PROJECT CLIENT:  
**Rocker Family Trust**

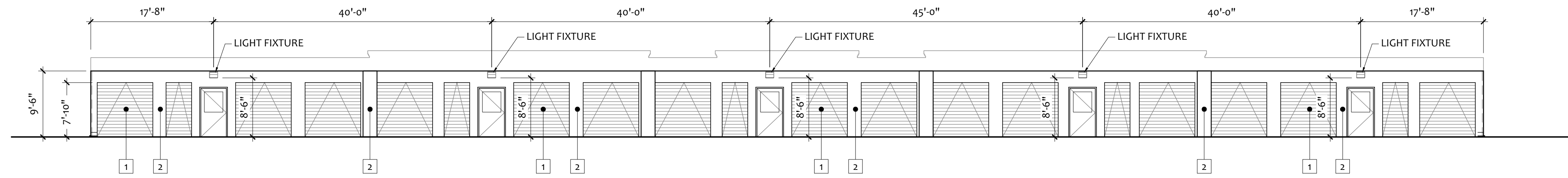
DATE: 07 MAR 2016	DRAWN BY: KM
JOB NUMBER: CHECKED BY: MA	
EXTERIOR ELEVATIONS	<b>A-306</b>

EXTERIOR FINISH LEGEND			
CODE	MATERIAL	MANUFACTURER	DESCRIPTION
			COLOR
1	EXTERIOR PAINT ON MTL. DOOR	SHERWIN WILLIAMS	EVERGREEN
2	EXTERIOR PAINT ON E.I.F.S. / METAL	SHERWIN WILLIAMS	SANDSTONE
3	EXTERIOR PAINT OVER E.I.F.S.	SHERWIN WILLIAMS	BLUE GRAY

COLORS ARE PER BETCO COLOR PALETTE UNLESS OTHERWISE NOTED

All ideas, designs, arrangements and plans indicated or represented by this drawing are owned by and are the sole property of ELEVEN18 ARCHITECTURE, P.L.L.C. and were created and developed only for use on and in connection with the project specified herein. None of the ideas, designs, arrangements and plans shall be used by or disclosed to any person, firm or corporation for any purpose whatsoever without the express written permission of ELEVEN18 ARCHITECTURE, P.L.L.C.

WARNING: Reproduction here-of is a criminal offense under 18U.S.C. SEC 506. Unauthorized disclosure may constitute trade secret misappropriation in violation of 18C.F.R. 1.24-2.41-1 ET. SEQ and other laws. The ideas, arrangements and designs disclosed herein may be patented or be the subject of a pending patent application.

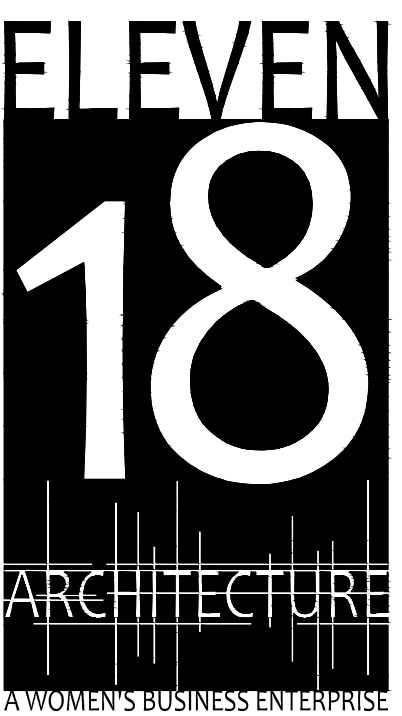


05 BUILDING 8 - NORTH ELEVATION  
3/32" = 1'-0"

CONSULTANT

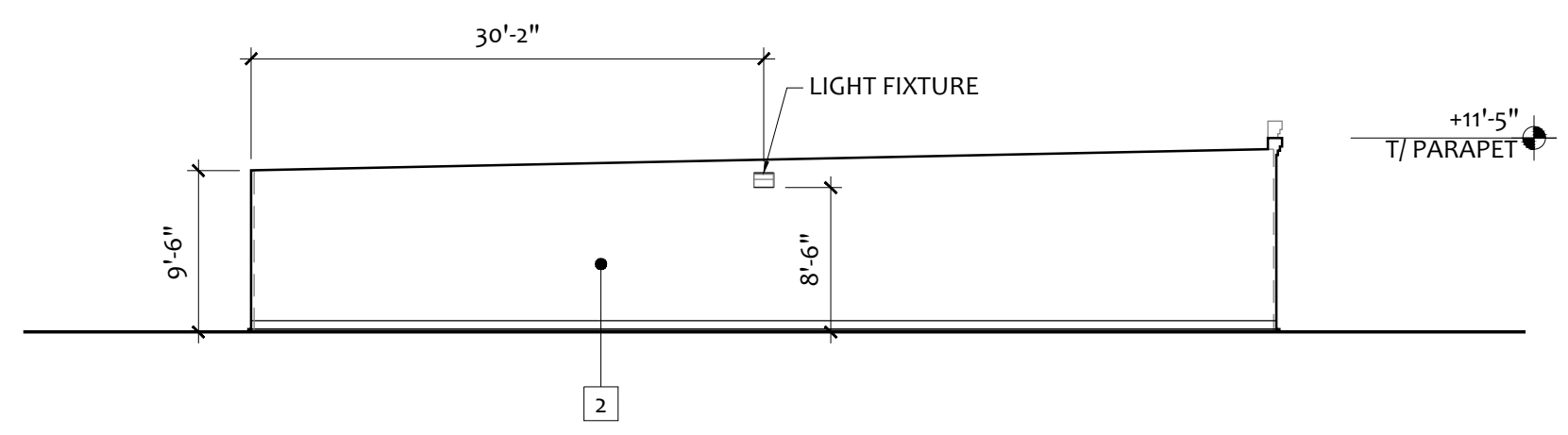
07 MAR 2016

- Mark Adams, AIA  
FL. REG.#AR0094473
- Kim Day McCann, AIA  
FL. REG.#AR0091738

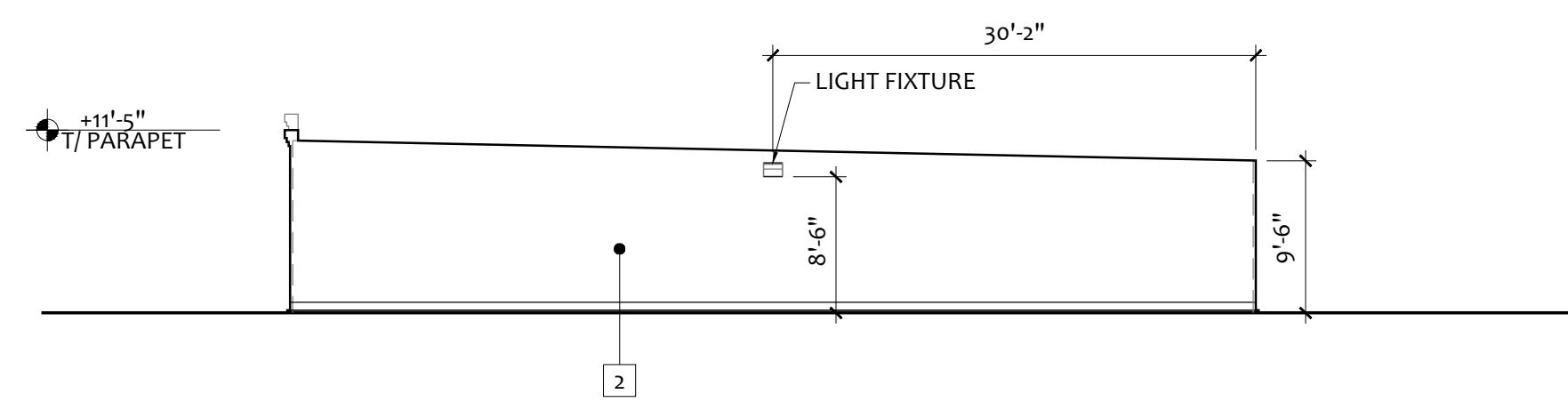


License: AA26001884  
424 E. Central Blvd. #542  
Orlando, FL 32801  
www.eleven18architecture.com  
Mark Adams: 407-756-2119  
Kim Day: 407-416-9960  
Neke White: 407-416-9965

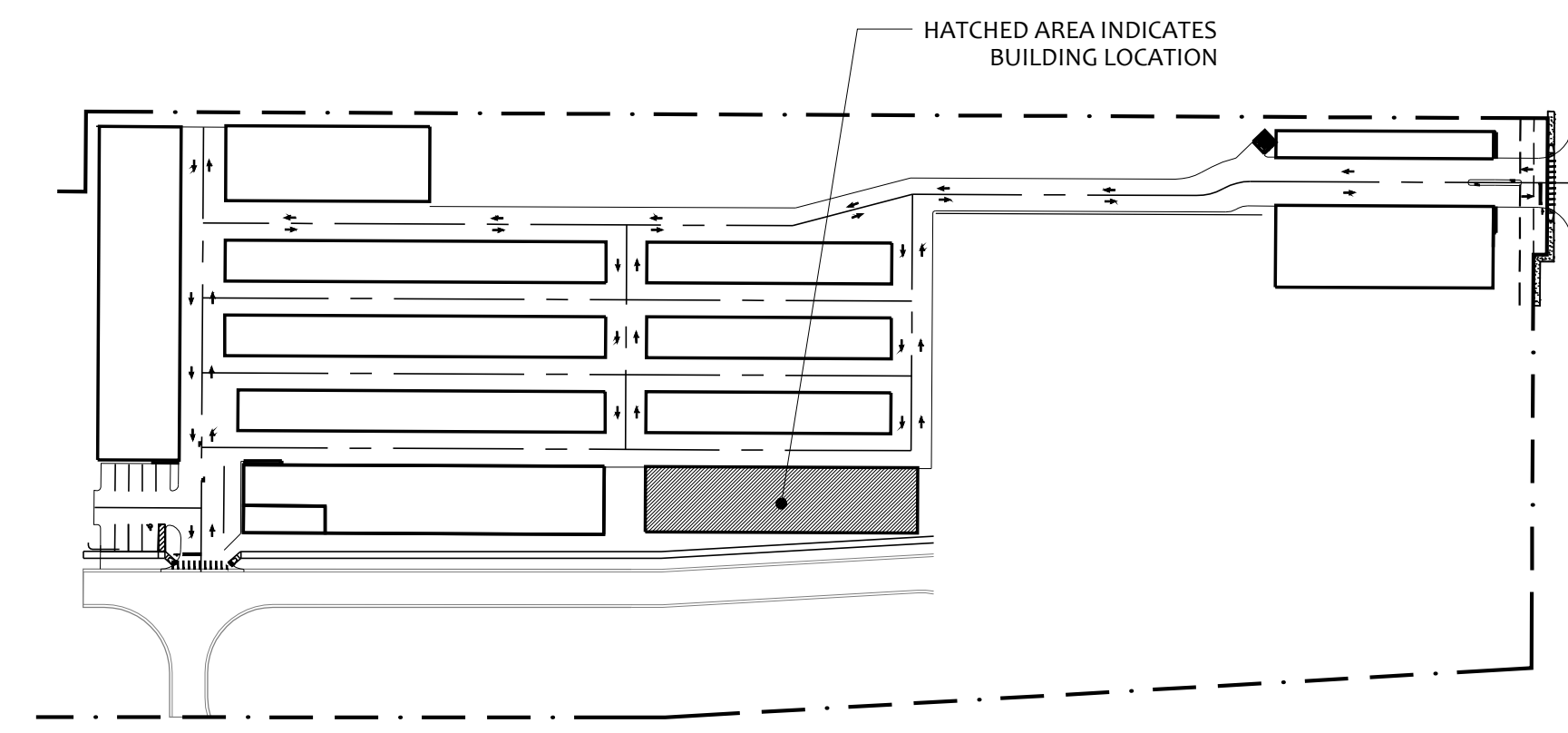
© Copyright 2016 ELEVEN18 ARCHITECTURE, P.L.L.C.  
All Rights Reserved Worldwide



04 BUILDING 8 - WEST ELEVATION  
3/32" = 1'-0"

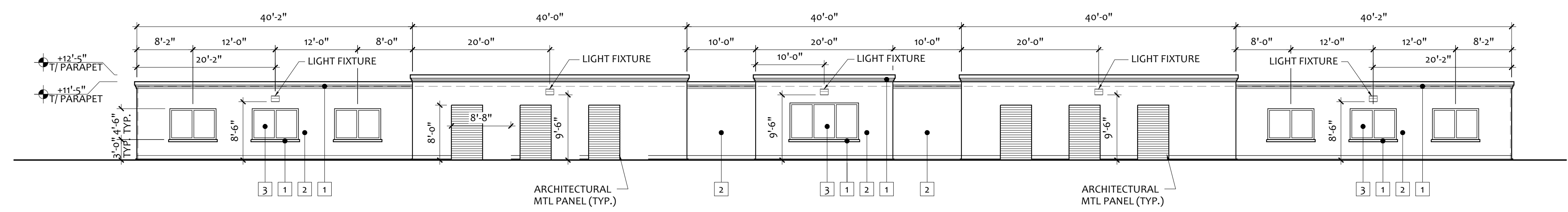


03 BUILDING 8 - EAST ELEVATION  
3/32" = 1'-0"



02 KEY PLAN  
3/32" = 1'-0"

REVISIONS		
#	DATE	DESC.
--	01 JUN 15	PERMIT SET
--	20 NOV 15	PERMIT SET
--	01 MAR 16	COMMENT RESPONSE
--	07 MAR 16	COMMENT RESPONSE



01 BUILDING 8 - SOUTH ELEVATION  
3/32" = 1'-0"

PROJECT NAME:

**Rockers Lockers**  
PROJECT CLIENT:  
**Rocker Family Trust**

DATE: 07 MAR 2016	DRAWN BY: KM
JOB NUMBER: CHECKED BY: MA	
EXTERIOR ELEVATIONS	<b>A-307</b>

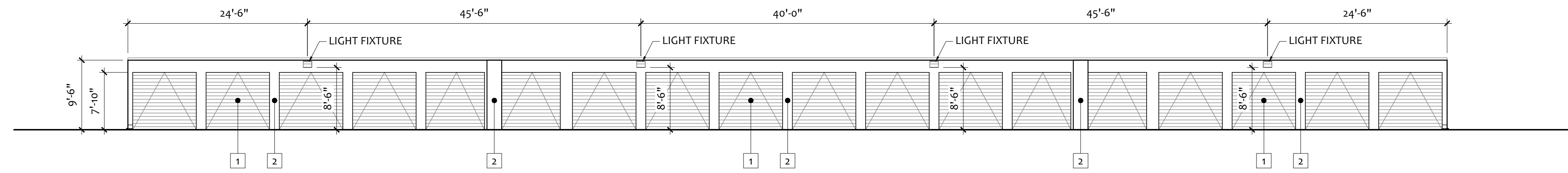


EXTERIOR FINISH LEGEND			
CODE	MATERIAL	MANUFACTURER	DESCRIPTION
			COLOR
1	EXTERIOR PAINT ON MTL. DOOR	SHERWIN WILLIAMS	EVERGREEN
2	EXTERIOR PAINT ON E.I.F.S. / METAL	SHERWIN WILLIAMS	SANDSTONE
3	EXTERIOR PAINT OVER E.I.F.S.	SHERWIN WILLIAMS	BLUE GRAY

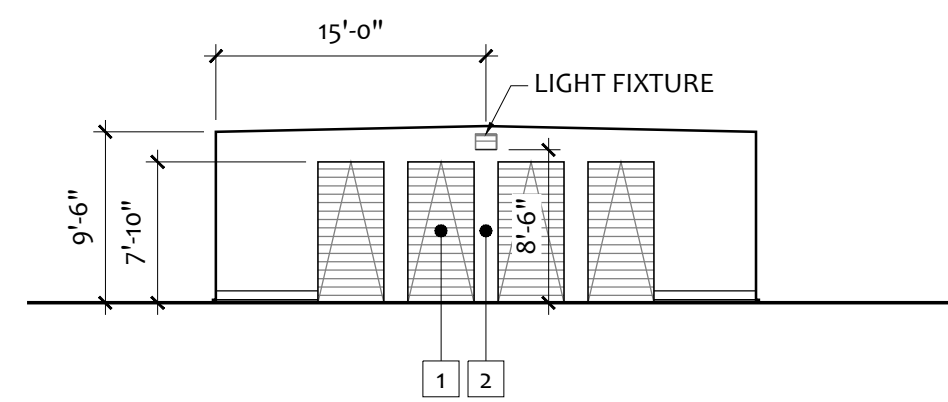
COLORS ARE PER BETCO COLOR PALETTE UNLESS OTHERWISE NOTED

All ideas, designs, arrangements and plans indicated or represented by this drawing are owned by and are the sole property of ELEVEN18 ARCHITECTURE, P.L.L.C. and were created and developed only for use on and in connection with the project specified herein. None of the ideas, designs, arrangements and plans shall be used by or disclosed to any person, firm or corporation for any purpose whatsoever without the express written permission of ELEVEN18 ARCHITECTURE, P.L.L.C.

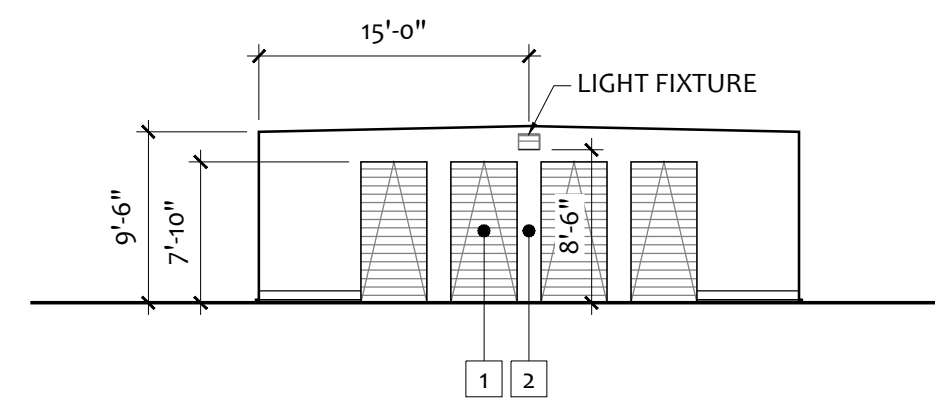
WARNING: Reproduction here-of is a criminal offense under 18U.S.C. SEC 506. Unauthorized disclosure may constitute trade secret misappropriation in violation of 18C.F.R. 1.103 and other laws. The ideas, arrangements and designs disclosed herein may be patented or be the subject of a pending patent application.



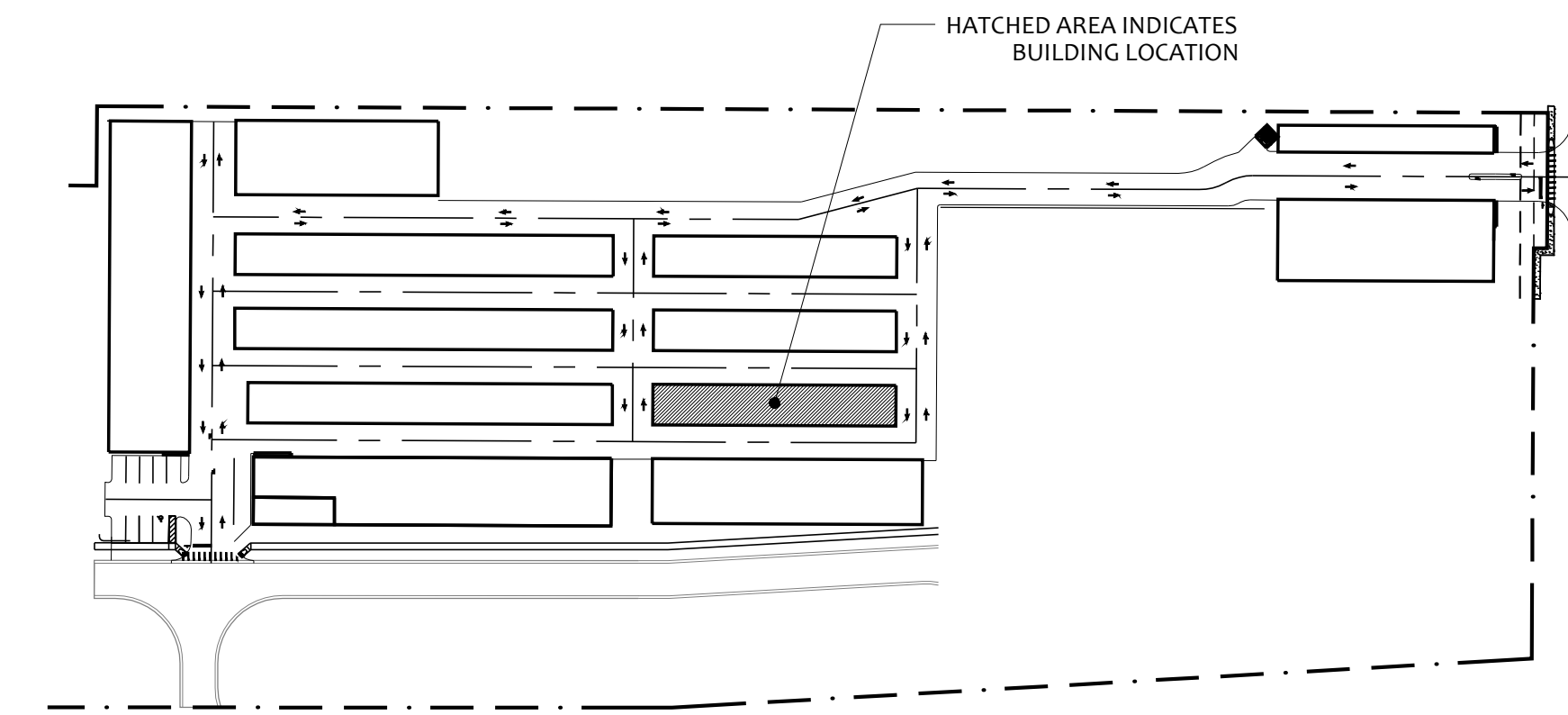
05 BUILDING 9 - NORTH ELEVATION  
3/32" = 1'-0"



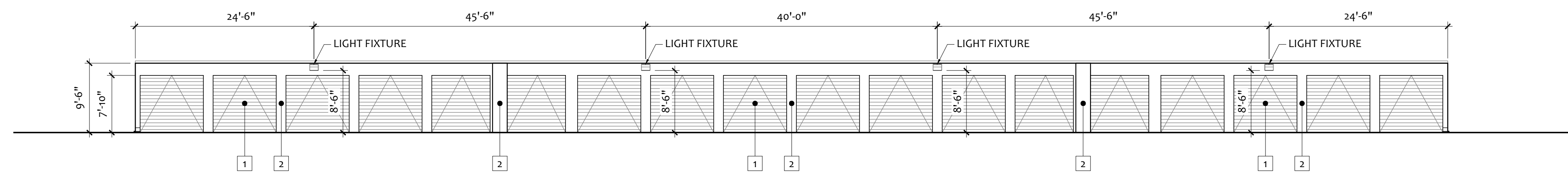
04 BUILDING 9 - WEST ELEVATION  
3/32" = 1'-0"



03 BUILDING 9 - EAST ELEVATION  
3/32" = 1'-0"



02 KEY PLAN  
3/32" = 1'-0"

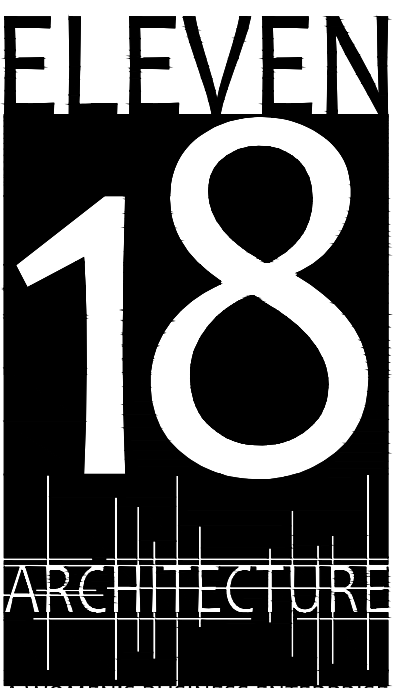


01 BUILDING 9 - SOUTH ELEVATION  
3/32" = 1'-0"

CONSULTANT

07 MAR 2016

- Mark Adams, AIA  
FL. REG.#AR0094473
- Kim Day McCann, AIA  
FL. REG.#AR0091738



A WOMEN'S BUSINESS ENTERPRISE

License: AA26001884  
424 E. Central Blvd. #542  
Orlando, FL 32801  
www.eleven18architecture.com  
Mark Adams: 407-756-2119  
Kim Day: 407-416-9960  
Neke White: 407-416-9965

© Copyright 2016 ELEVEN18 ARCHITECTURE, P.L.L.C.  
All Rights Reserved Worldwide

REVISIONS

#	DATE	DESC.
--	01 JUN 15	PERMIT SET
--	20 NOV 15	PERMIT SET
--	01 MAR 16	COMMENT RESPONSE
--	07 MAR 16	COMMENT RESPONSE

PROJECT NAME:

**Rockers  
Lockers**

PROJECT CLIENT:

**Rocker Family  
Trust**

DATE: 07 MAR 2016	DRAWN BY: KM
JOB NUMBER: CHECKED BY: MA	
EXTERIOR ELEVATIONS	<b>A-308</b>

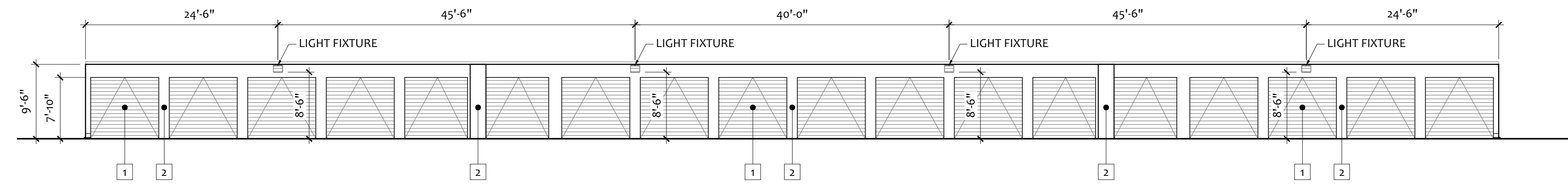


EXTERIOR FINISH LEGEND			
CODE	MATERIAL	MANUFACTURER	DESCRIPTION
			COLOR
1	EXTERIOR PAINT ON MTL. DOOR	SHERWIN WILLIAMS	EVERGREEN
2	EXTERIOR PAINT ON E.I.F.S. / METAL	SHERWIN WILLIAMS	SANDSTONE
3	EXTERIOR PAINT OVER E.I.F.S.	SHERWIN WILLIAMS	BLUE GRAY

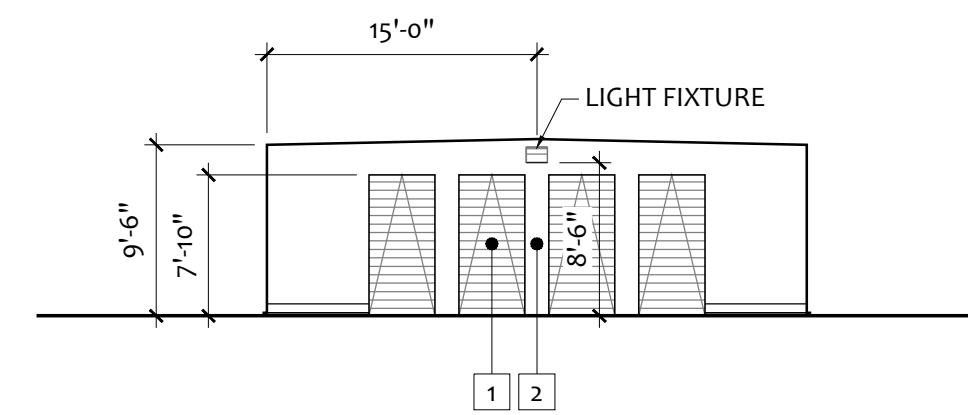
COLORS ARE PER BETCO COLOR PALETTE UNLESS OTHERWISE NOTED

All ideas, designs, arrangements and plans indicated or represented by this drawing are owned by and are the sole property of ELEVEN18 ARCHITECTURE, P.L.L.C. and were created and developed only for use on and in connection with the project specified herein. None of the ideas, designs, arrangements and plans shall be used by or disclosed to any person, firm or corporation for any purpose whatsoever without the express written permission of ELEVEN18 ARCHITECTURE, P.L.L.C.

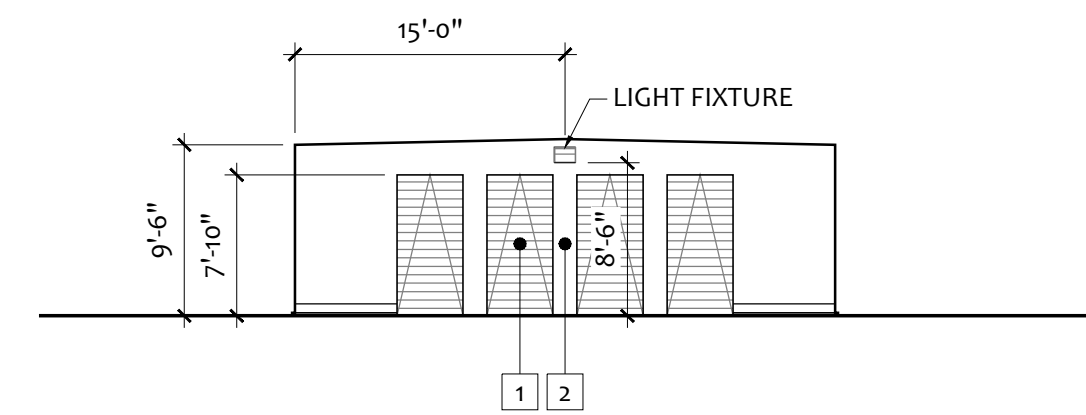
WARNING: Reproduction here-of is a criminal offense under 18U.S.C. SEC 506. Unauthorized disclosure may constitute trade secret misappropriation in violation of 1.C.24-2-41-1 ET. SEQ and other laws. The ideas, arrangements and designs disclosed herein may be patented or be the subject of a pending patent application.



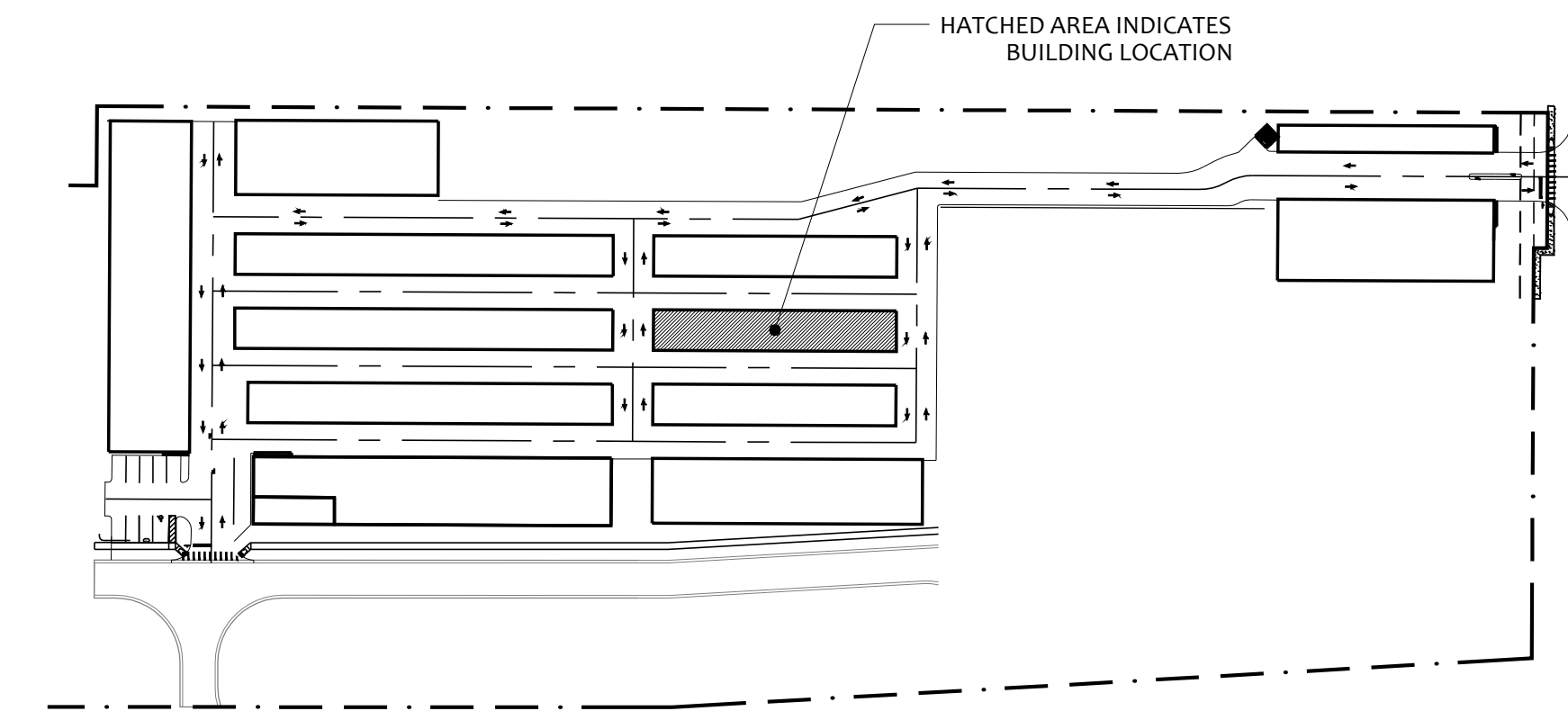
05 BUILDING 10 - NORTH ELEVATION  
3/32" = 1'-0"



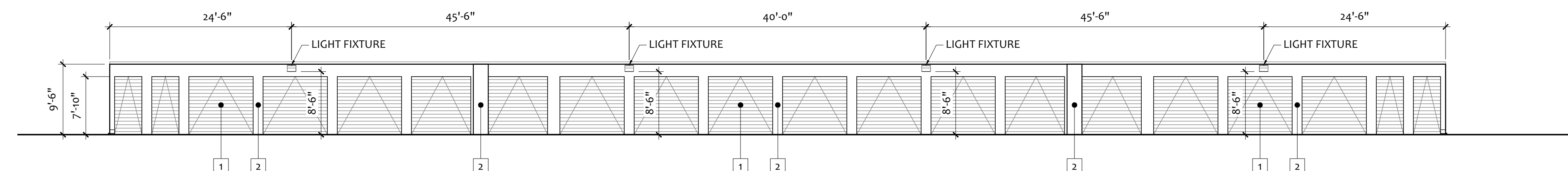
04 BUILDING 10 - WEST ELEVATION  
3/32" = 1'-0"



03 BUILDING 10 - EAST ELEVATION  
3/32" = 1'-0"



02 KEY PLAN  
3/32" = 1'-0"

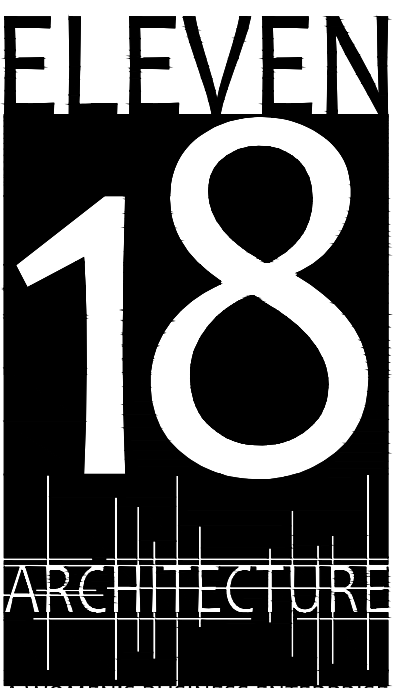


01 BUILDING 10 - SOUTH ELEVATION  
3/32" = 1'-0"

CONSULTANT

07 MAR 2016

- Mark Adams, AIA  
FL. REG.#AR0094473
- Kim Day McCann, AIA  
FL. REG.#AR0091738



A WOMEN'S BUSINESS ENTERPRISE

License: AA26001884

424 E. Central Blvd. #542  
Orlando, FL 32801  
www.eleven18architecture.com

Mark Adams: 407-756-2119  
Kim Day: 407-416-9960  
Neke White: 407-416-9965

© Copyright 2016 ELEVEN18 ARCHITECTURE, P.L.L.C.  
All Rights Reserved Worldwide

REVISIONS		
#	DATE	DESC.
--	01 JUN 15	PERMIT SET
--	20 NOV 15	PERMIT SET
--	01 MAR 16	COMMENT RESPONSE
--	07 MAR 16	COMMENT RESPONSE

PROJECT NAME:

**Rockers  
Lockers**

PROJECT CLIENT:  
**Rocker Family  
Trust**

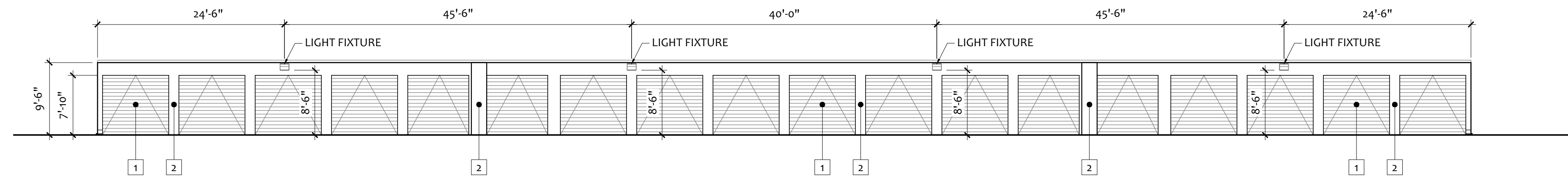
DATE: 07 MAR 2016	DRAWN BY: KM
JOB NUMBER: EXTERIOR ELEVATIONS	CHECKED BY: MA
	<b>A-309</b>

EXTERIOR FINISH LEGEND			
CODE	MATERIAL	MANUFACTURER	DESCRIPTION
			COLOR
1	EXTERIOR PAINT ON MTL. DOOR	SHERWIN WILLIAMS	EVERGREEN
2	EXTERIOR PAINT ON E.I.F.S. / METAL	SHERWIN WILLIAMS	SANDSTONE
3	EXTERIOR PAINT OVER E.I.F.S.	SHERWIN WILLIAMS	BLUE GRAY

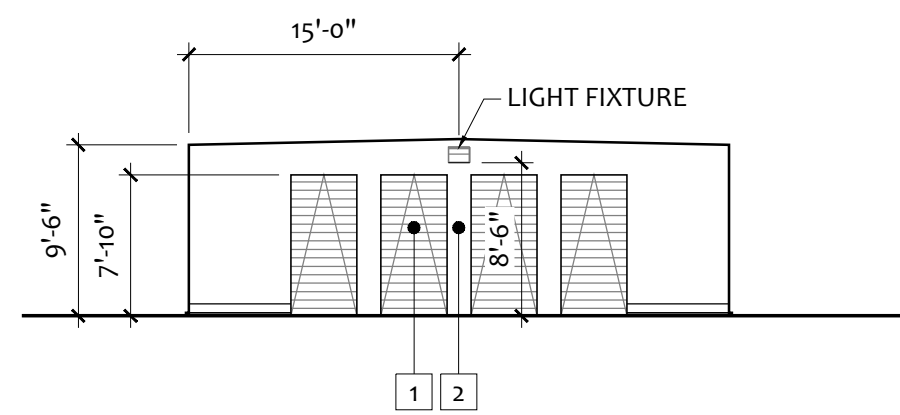
COLORS ARE PER BETCO COLOR PALETTE UNLESS OTHERWISE NOTED

All ideas, designs, arrangements and plans indicated or represented by this drawing are owned by and are the sole property of ELEVEN18 ARCHITECTURE, P.L.L.C. and were created and developed only for use on and in connection with the project specified herein. None of the ideas, designs, arrangements and plans shall be used by or disclosed to any person, firm or corporation for any purpose whatsoever without the express written permission of ELEVEN18 ARCHITECTURE, P.L.L.C.

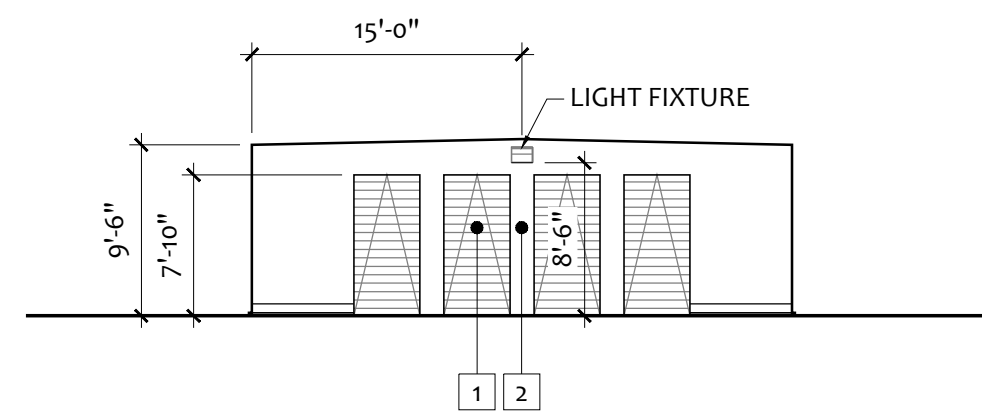
WARNING: Reproduction here-of is a criminal offense under 18U.S.C. SEC 506. Unauthorized disclosure may constitute trade secret misappropriation in violation of 1.C.24-2-41-1 ET.SEQ and other laws. The ideas, arrangements and designs disclosed herein may be patented or be the subject of a pending patent application.



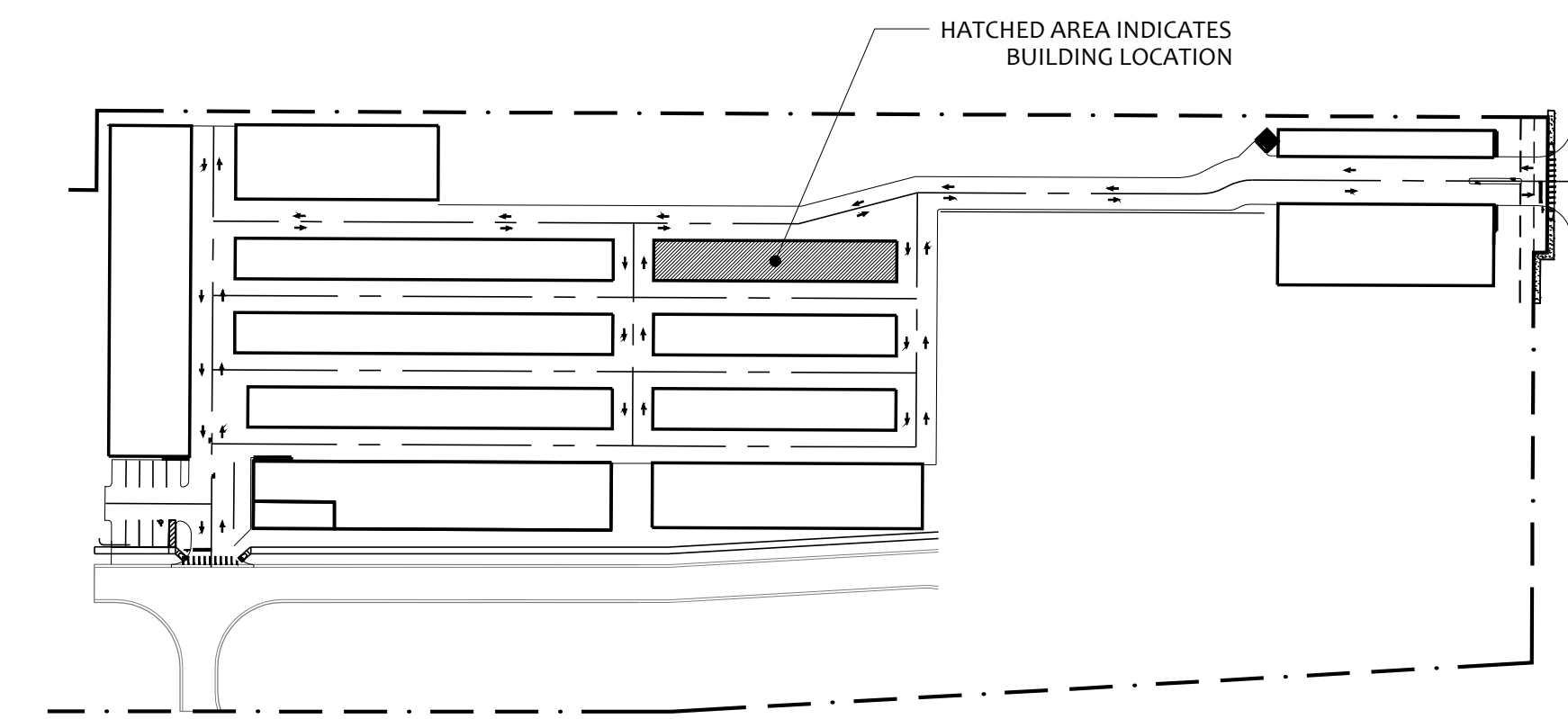
05 BUILDING 11 - NORTH ELEVATION  
3/32" = 1'-0"



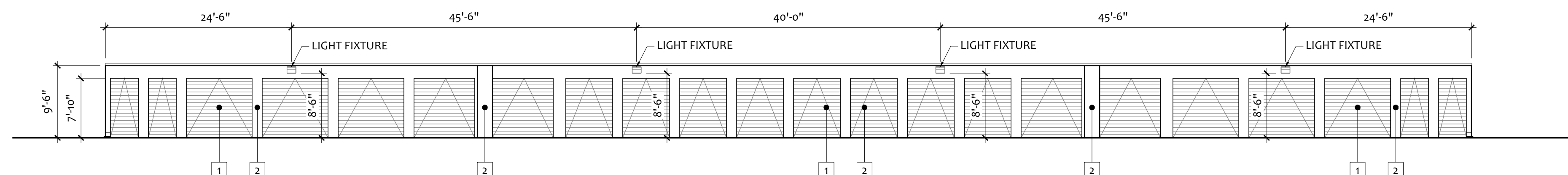
04 BUILDING 11 - WEST ELEVATION  
3/32" = 1'-0"



03 BUILDING 11 - EAST ELEVATION  
3/32" = 1'-0"



02 KEY PLAN  
3/32" = 1'-0"

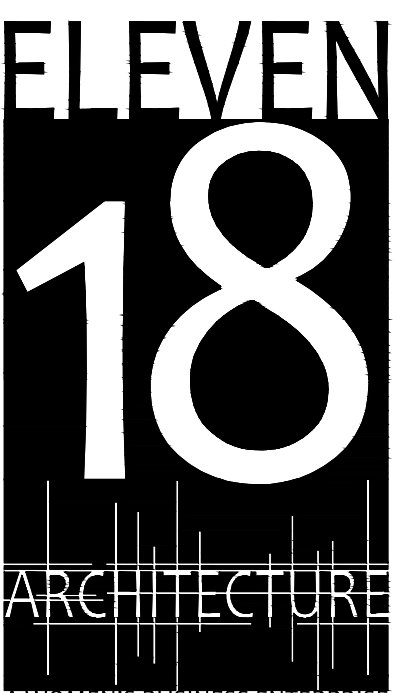


01 BUILDING 11 - SOUTH ELEVATION  
3/32" = 1'-0"

CONSULTANT

07 MAR 2016

Mark Adams, AIA  
 FL. REG.#AR0094473  
 Kim Day McCann, AIA  
 FL. REG.#AR0091738



A WOMEN'S BUSINESS ENTERPRISE

License: AA26001884

424 E. Central Blvd. #542  
Orlando, FL 32801  
www.eleven18architecture.com

Mark Adams: 407-756-2119  
Kim Day: 407-416-9960  
Neke White: 407-416-9965

© Copyright 2016 ELEVEN18 ARCHITECTURE, P.L.L.C.  
All Rights Reserved Worldwide

REVISIONS		
#	DATE	DESC.
--	01 JUN 15	PERMIT SET
--	20 NOV 15	PERMIT SET
--	01 MAR 16	COMMENT RESPONSE
--	07 MAR 16	COMMENT RESPONSE

PROJECT NAME:  
**Rockers Lockers**

PROJECT CLIENT:  
**Rocker Family Trust**

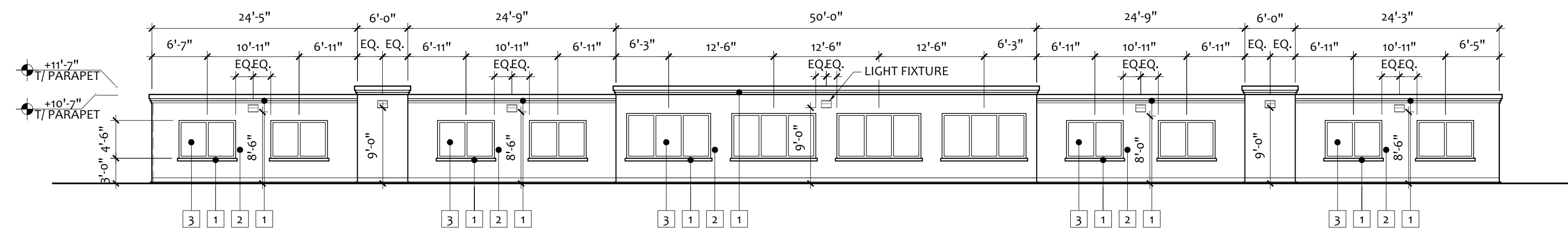
DATE: 07 MAR 2016	DRAWN BY: KM
JOB NUMBER: CHECKED BY: MA	
EXTERIOR ELEVATIONS	<b>A-310</b>

EXTERIOR FINISH LEGEND			
CODE	MATERIAL	MANUFACTURER	DESCRIPTION
			COLOR
1	EXTERIOR PAINT ON MTL. DOOR	SHERWIN WILLIAMS	EVERGREEN
2	EXTERIOR PAINT ON E.I.F.S. / METAL	SHERWIN WILLIAMS	SANDSTONE
3	EXTERIOR PAINT OVER E.I.F.S.	SHERWIN WILLIAMS	BLUE GRAY

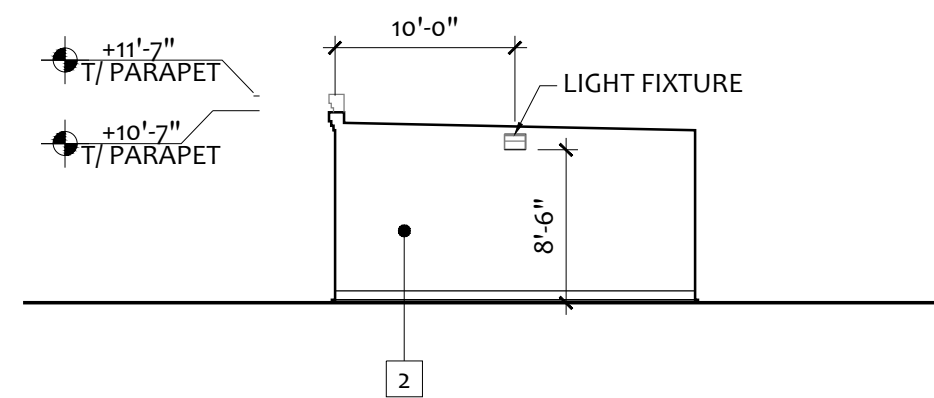
COLORS ARE PER BETCO COLOR PALETTE UNLESS OTHERWISE NOTED

All ideas, designs, arrangements and plans indicated or represented by this drawing are owned by and are the sole property of ELEVEN18 ARCHITECTURE, P.L.L.C. and were created and developed only for use on and in connection with the project specified herein. None of the ideas, designs, arrangements and plans shall be used by or disclosed to any person, firm or corporation for any purpose whatsoever without the express written permission of ELEVEN18 ARCHITECTURE, P.L.L.C.

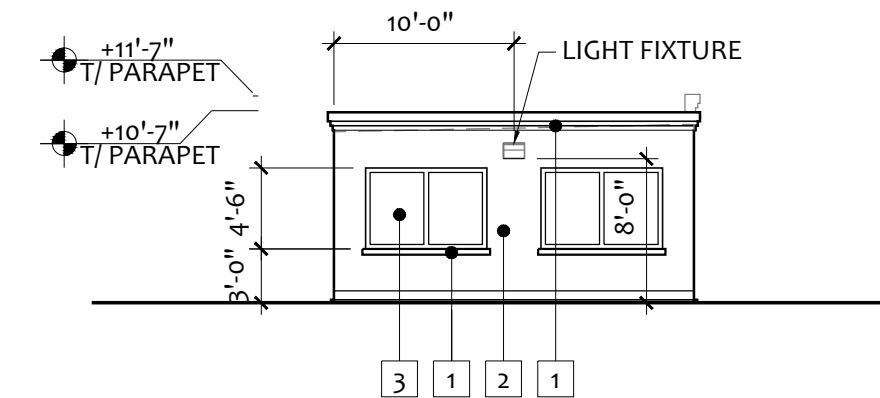
WARNING: Reproduction here-of is a criminal offense under 18U.S.C. SEC 506. Unauthorized disclosure may constitute a trade secret misappropriation in violation of 1.C.24-2-41-1 ET. SEQ and other laws. The ideas, arrangements and designs disclosed herein may be patented or be the subject of a pending patent application.



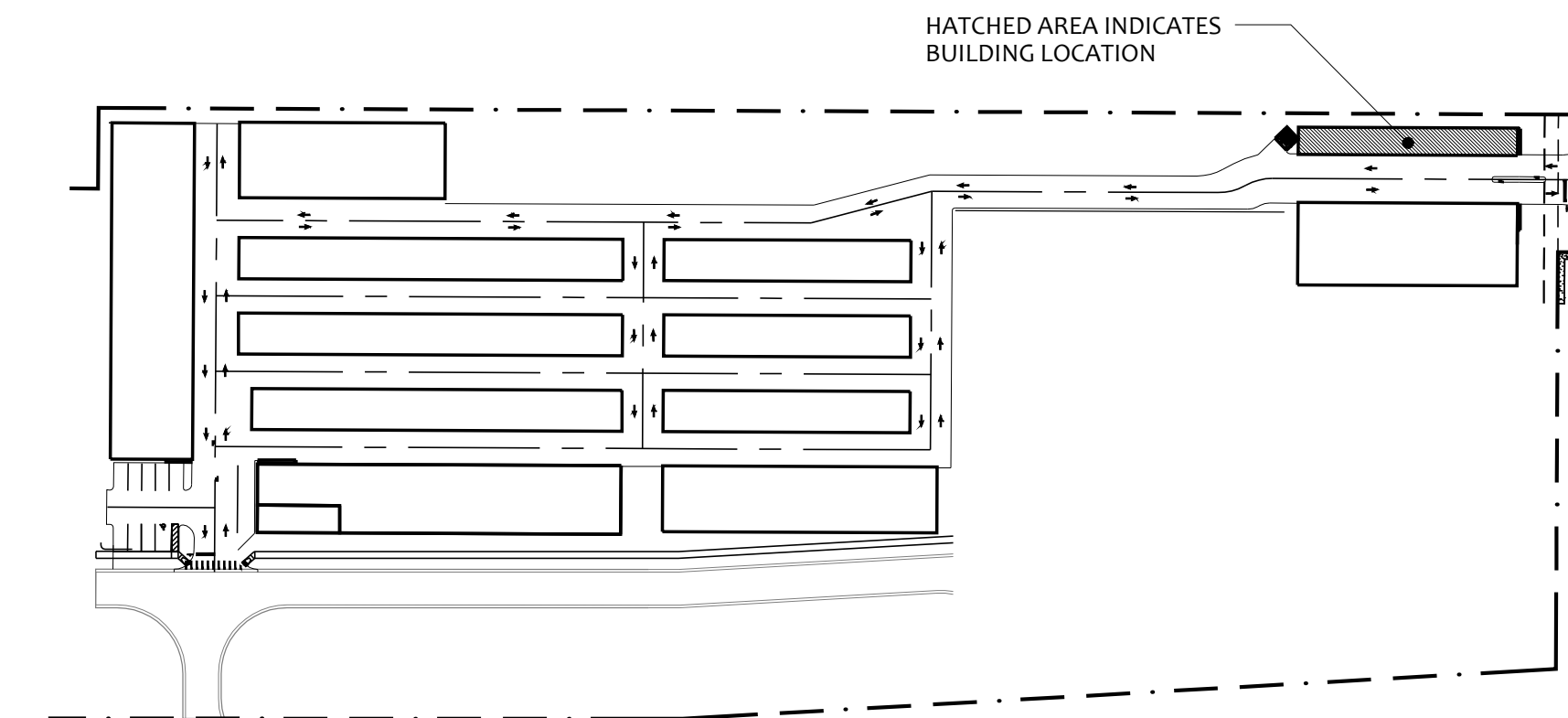
05 BUILDING 12 - NORTH ELEVATION  
3/32" = 1'-0"



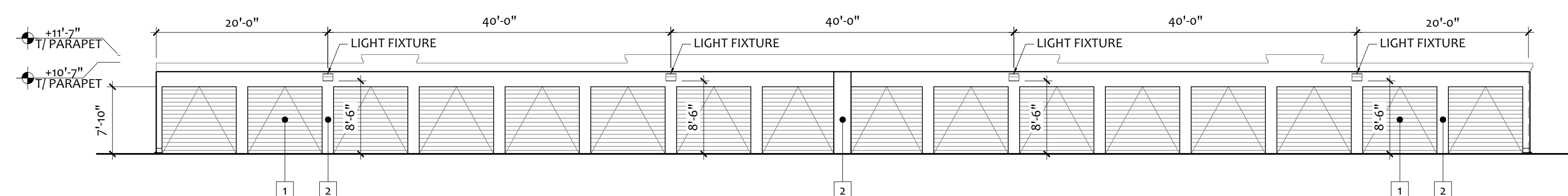
04 BUILDING 12 - WEST ELEVATION  
3/32" = 1'-0"



03 BUILDING 12 - EAST ELEVATION  
3/32" = 1'-0"



02 KEY PLAN  
3/32" = 1'-0"

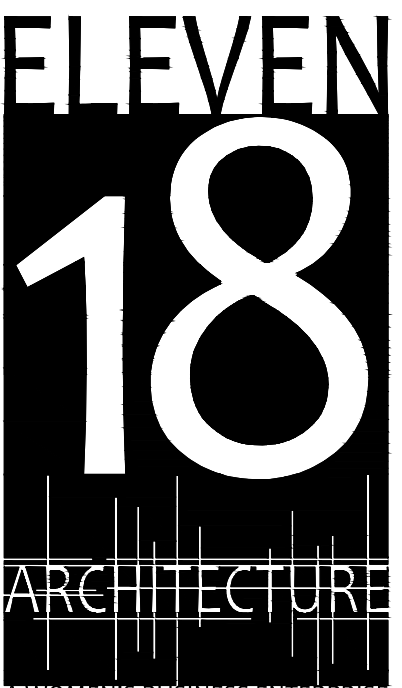


01 BUILDING 12 - SOUTH ELEVATION  
3/32" = 1'-0"

CONSULTANT

07 MAR 2016

- Mark Adams, AIA  
FL. REG.#AR0094473
- Kim Day McCann, AIA  
FL. REG.#AR0091738



License: AA26001884  
424 E. Central Blvd. #542  
Orlando, FL 32801  
www.eleven18architecture.com  
Mark Adams: 407-756-2119  
Kim Day: 407-416-9960  
Neke White: 407-416-9965

© Copyright 2016 ELEVEN18 ARCHITECTURE, P.L.L.C.  
All Rights Reserved Worldwide

REVISIONS		
#	DATE	DESC.
--	01 JUN 15	PERMIT SET
--	20 NOV 15	PERMIT SET
--	01 MAR 16	COMMENT RESPONSE
--	07 MAR 16	COMMENT RESPONSE

PROJECT NAME:  
**Rockers Lockers**  
PROJECT CLIENT:  
**Rocker Family Trust**

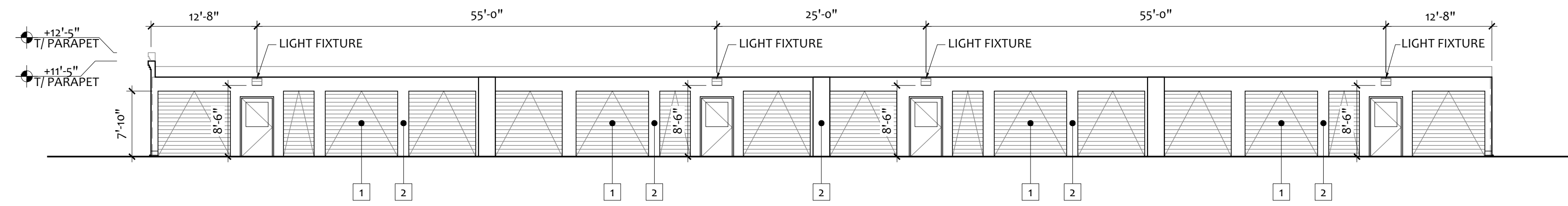
DATE: 07 MAR 2016	DRAWN BY: KM
JOB NUMBER: CHECKED BY: MA	EXTERIOR ELEVATIONS <b>A-311</b>

EXTERIOR FINISH LEGEND			
CODE	MATERIAL	MANUFACTURER	DESCRIPTION
			COLOR
1	EXTERIOR PAINT ON MTL. DOOR	SHERWIN WILLIAMS	EVERGREEN
2	EXTERIOR PAINT ON E.I.F.S. / METAL	SHERWIN WILLIAMS	SANDSTONE
3	EXTERIOR PAINT OVER E.I.F.S.	SHERWIN WILLIAMS	BLUE GRAY

COLORS ARE PER BETCO COLOR PALETTE UNLESS OTHERWISE NOTED

All ideas, designs, arrangements and plans indicated or represented by this drawing are owned by and are the sole property of ELEVEN18 ARCHITECTURE, P.L.L.C. and were created and developed only for use on and in connection with the project specified herein. None of the ideas, designs, arrangements and plans shall be used by or disclosed to any person, firm or corporation for any purpose whatsoever without the express written permission of ELEVEN18 ARCHITECTURE, P.L.L.C.

WARNING: Reproduction here-of is a criminal offense under 18U.S.C. SEC 506. Unauthorized disclosure may constitute trade secret misappropriation in violation of 1.C.24-2-41-1 ET.SEQ and other laws. The ideas, arrangements and designs disclosed herein may be patented or be the subject of a pending patent application.

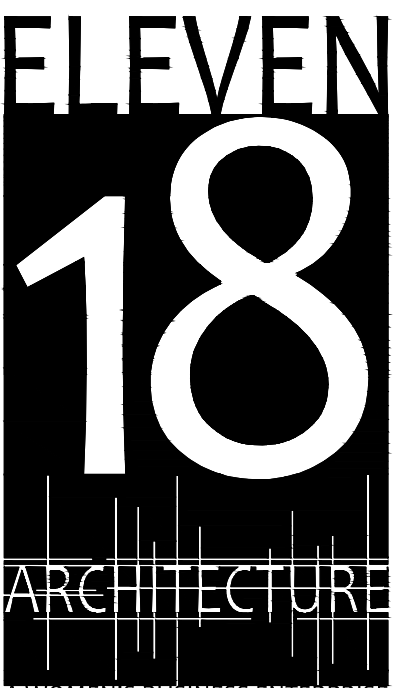


05 BUILDING 13 - NORTH ELEVATION  
3/32" = 1'-0"

CONSULTANT

07 MAR 2016

- Mark Adams, AIA  
FL. REG.#AR0094473
- Kim Day McCann, AIA  
FL. REG.#AR0091738



License: AA26001884  
424 E. Central Blvd. #542  
Orlando, FL 32801  
www.eleven18architecture.com  
Mark Adams: 407-756-2119  
Kim Day: 407-416-9960  
Neke White: 407-416-9965

© Copyright 2016 ELEVEN18 ARCHITECTURE, P.L.L.C.  
All Rights Reserved Worldwide

REVISIONS

#	DATE	DESC.
--	01 JUN 15	PERMIT SET
--	20 NOV 15	PERMIT SET
--	01 MAR 16	COMMENT RESPONSE
--	07 MAR 16	COMMENT RESPONSE

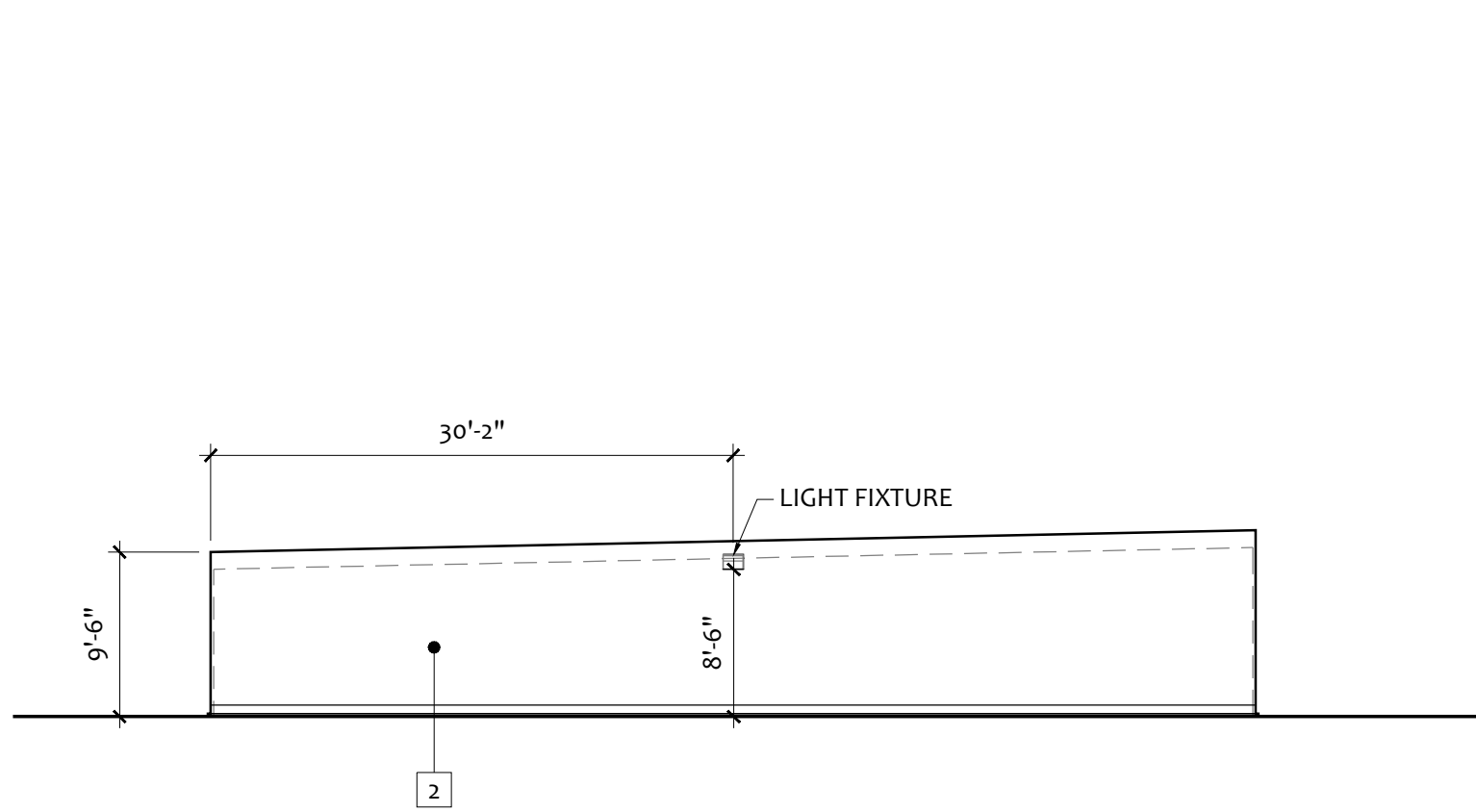
PROJECT NAME:

**Rockers Lockers**

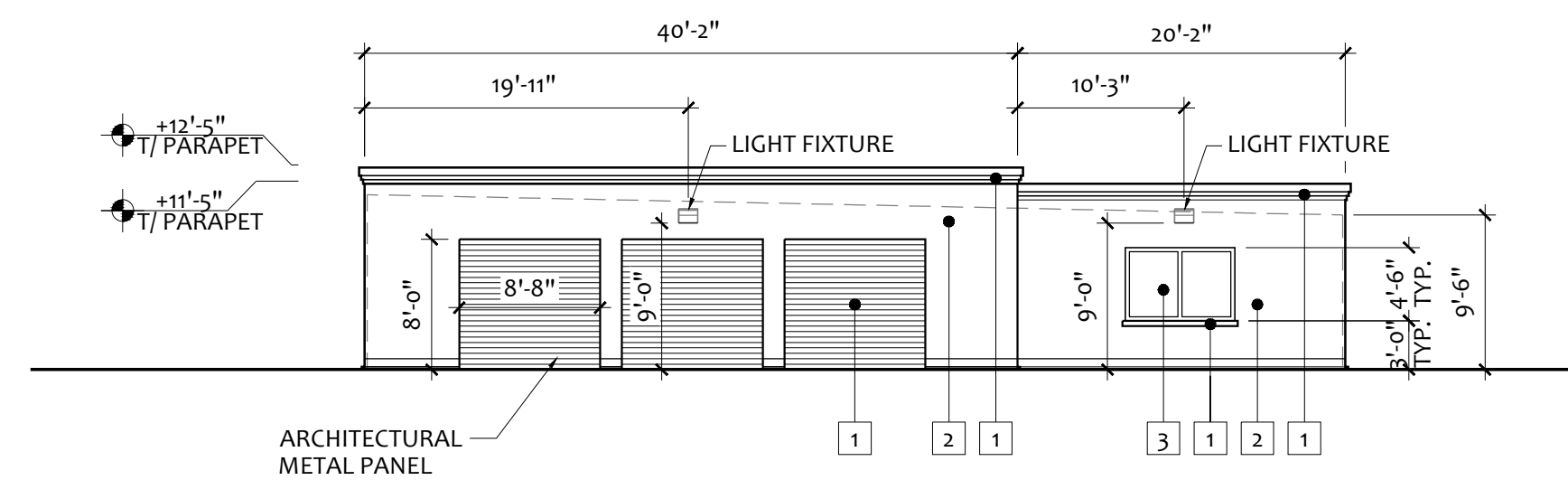
PROJECT CLIENT:

**Rocker Family Trust**

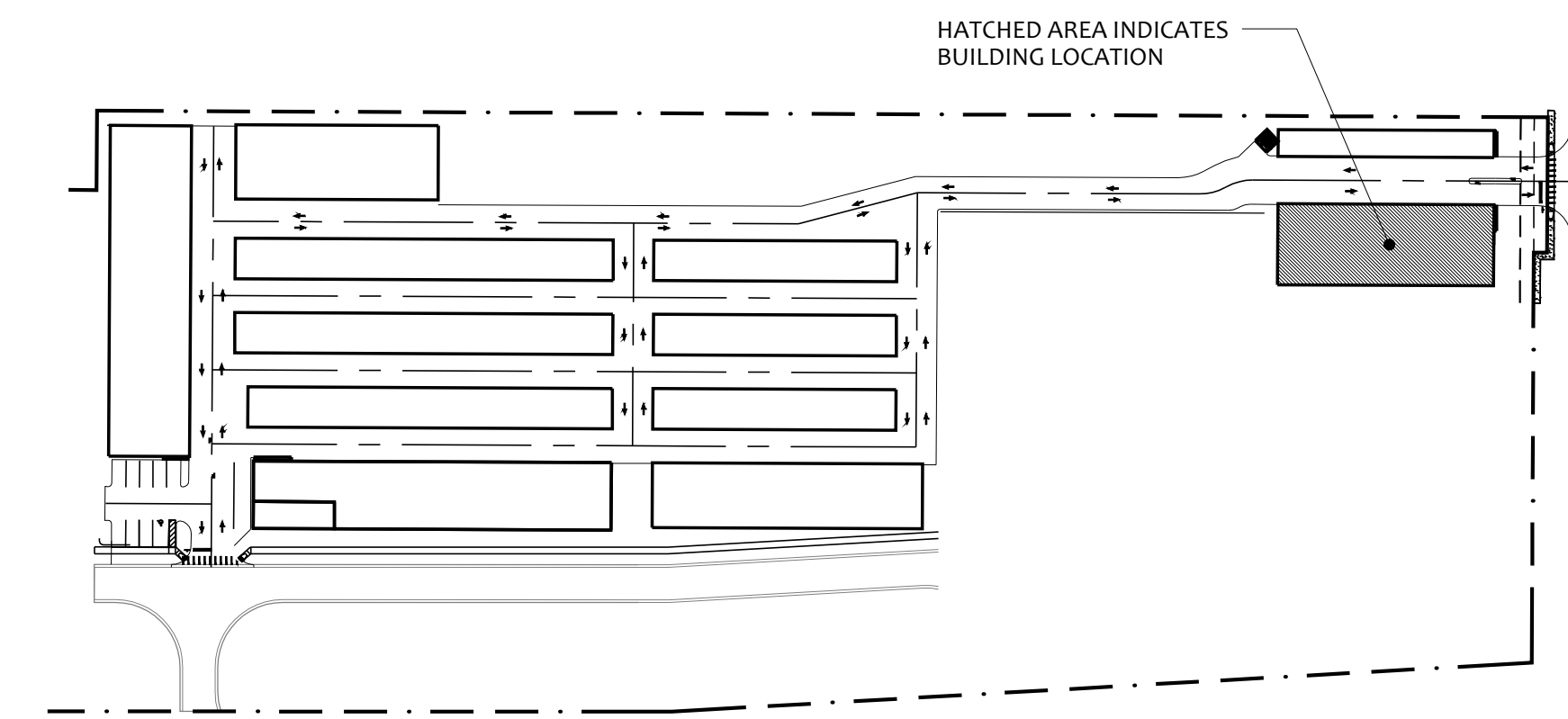
DATE: 07 MAR 2016	DRAWN BY: KM
JOB NUMBER: EXTERIOR ELEVATIONS	CHECKED BY: MA
	<b>A-312</b>



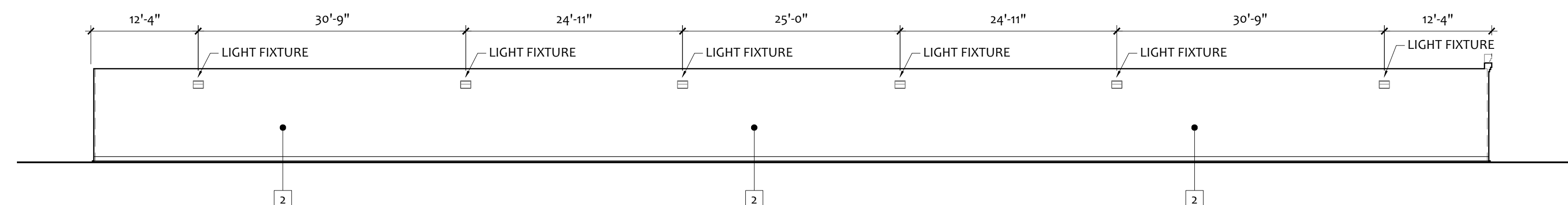
04 BUILDING 13 - WEST ELEVATION  
3/32" = 1'-0"



03 BUILDING 13 - EAST ELEVATION  
3/32" = 1'-0"



02 KEY PLAN  
3/32" = 1'-0"



01 BUILDING 13 - SOUTH ELEVATION  
3/32" = 1'-0"