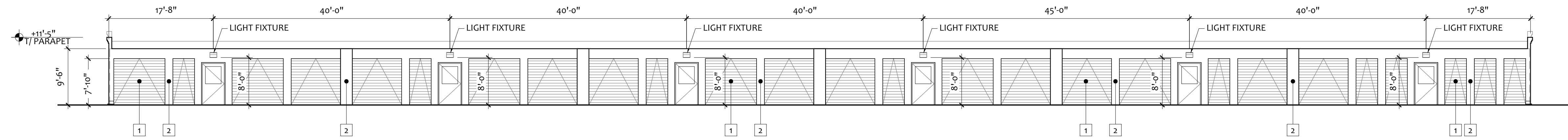


EXTERIOR FINISH LEGEND			
CODE	MATERIAL	MANUFACTURER	DESCRIPTION
			COLOR
1	EXTERIOR PAINT ON MTL. DOOR	SHERWIN WILLIAMS	EVERGREEN
2	EXTERIOR PAINT ON E.I.F.S. / METAL	SHERWIN WILLIAMS	SANDSTONE
3	EXTERIOR PAINT OVER E.I.F.S.	SHERWIN WILLIAMS	BLUE GRAY

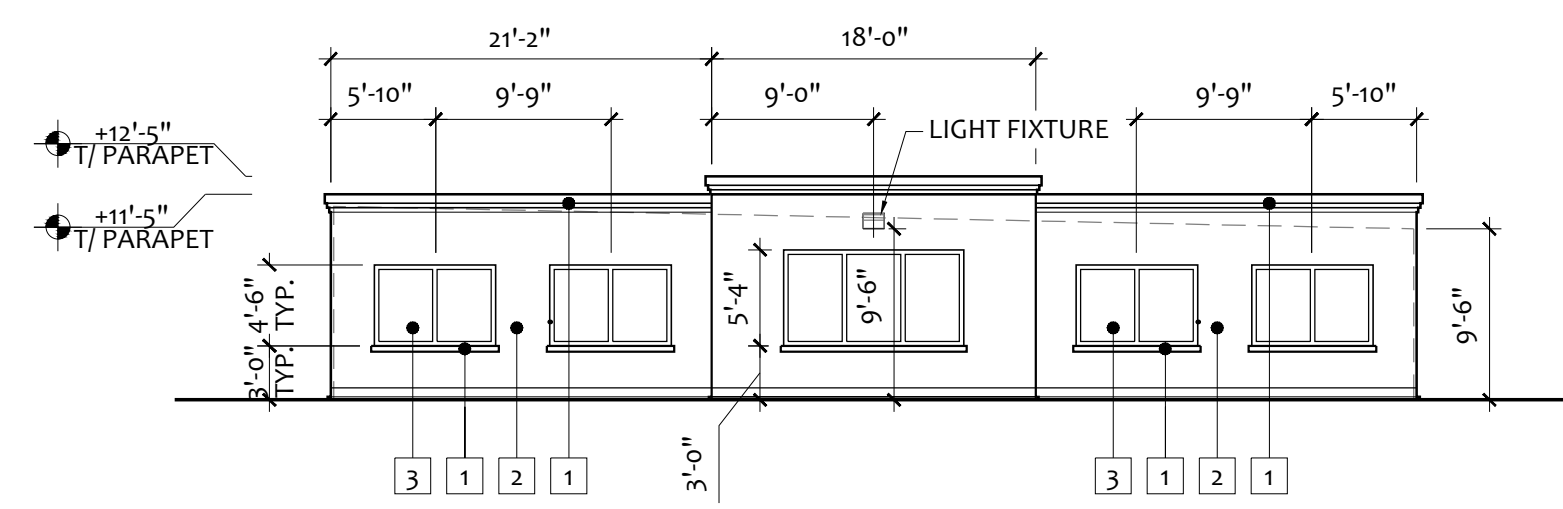
COLORS ARE PER BETCO COLOR PALETTE UNLESS OTHERWISE NOTED

All ideas, designs, arrangements and plans indicated or represented by this drawing are owned by and are the sole property of ELEVEN18 ARCHITECTURE, P.L.L.C. and were created and developed only for use on and in connection with the project specified herein. None of the ideas, designs, arrangements and plans shall be used by or disclosed to any person, firm or corporation for any purpose whatsoever without the express written permission of ELEVEN18 ARCHITECTURE, P.L.L.C.

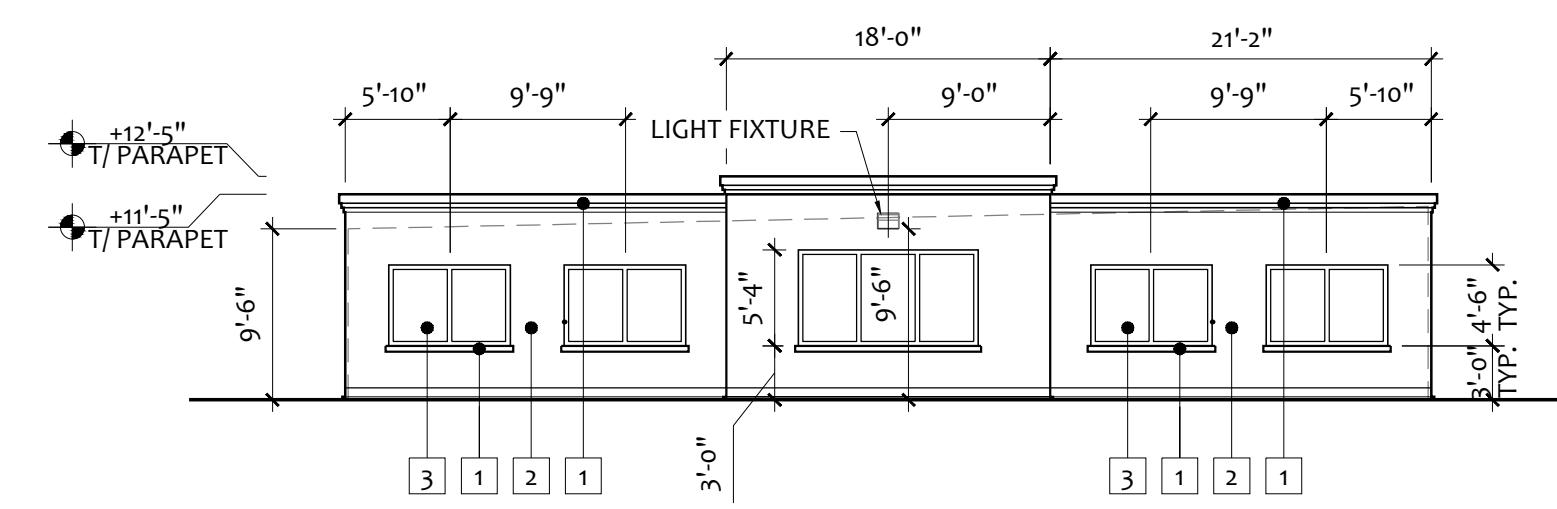
WARNING: Reproduction here-of is a criminal offense under 18U.S.C. SEC 506. Unauthorized disclosure may constitute trade secret misappropriation in violation of 18C.F.R. 1.103 and other laws. The ideas, arrangements and designs disclosed herein may be patented or be the subject of a pending patent application.



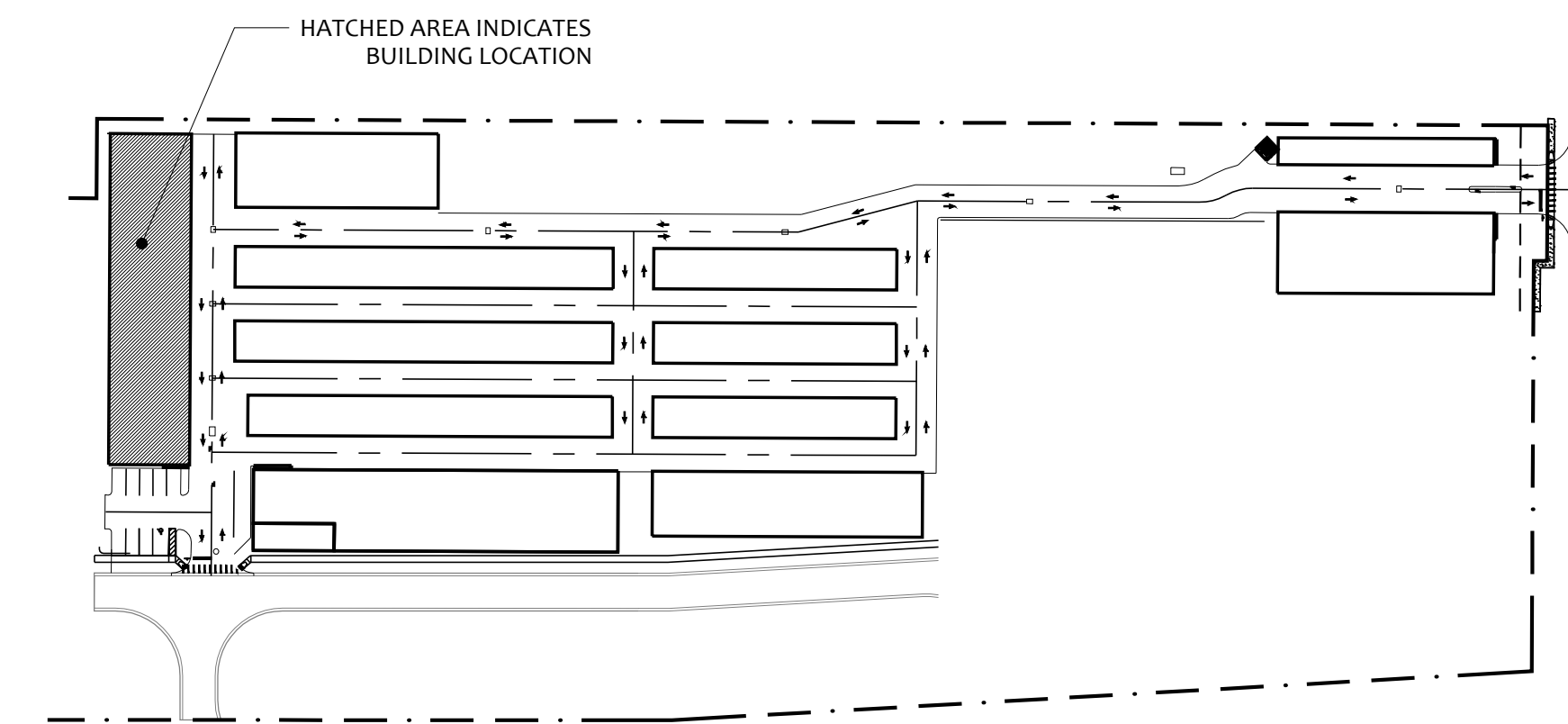
05 BUILDING 2 - EAST ELEVATION
3/32" = 1'-0"



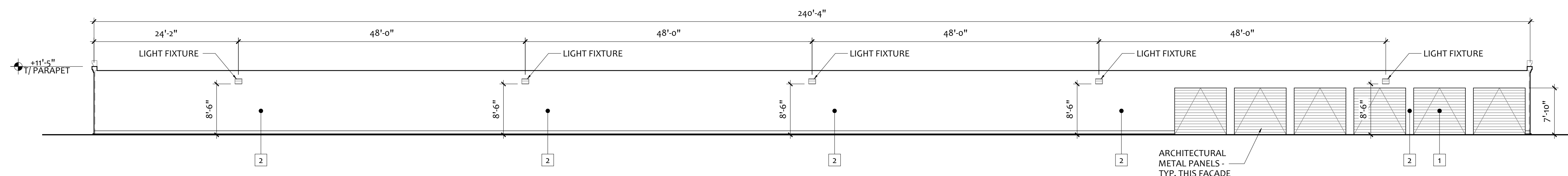
04 BUILDING 2 - SOUTH ELEVATION
3/32" = 1'-0"



03 BUILDING 2 - NORTH ELEVATION
3/32" = 1'-0"



02 KEY PLAN
3/32" = 1'-0"

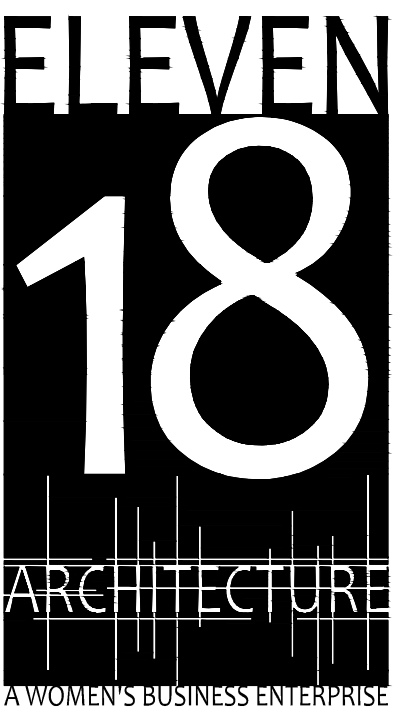


01 BUILDING 2 - WEST ELEVATION
3/32" = 1'-0"

CONSULTANT

15 DEC 2015

- Mark Adams, AIA
FL. REG.#AR0094473
- Kim Day McCann, AIA
FL. REG.#AR0091738



License: AA26001884
424 E. Central Blvd. #542
Orlando, FL 32801
www.eleven18architecture.com
Mark Adams: 407-756-2119
Kim Day: 407-416-9960
Neke White: 407-416-9965

© Copyright 2015 ELEVEN18 ARCHITECTURE, P.L.L.C.
All Rights Reserved Worldwide

REVISIONS		
#	DATE	DESC.
--	01 JUN 15	PERMIT SET
--	20 NOV 15	PERMIT SET

PROJECT NAME:

Rockers Lockers
PROJECT CLIENT:
Rocker Family Trust

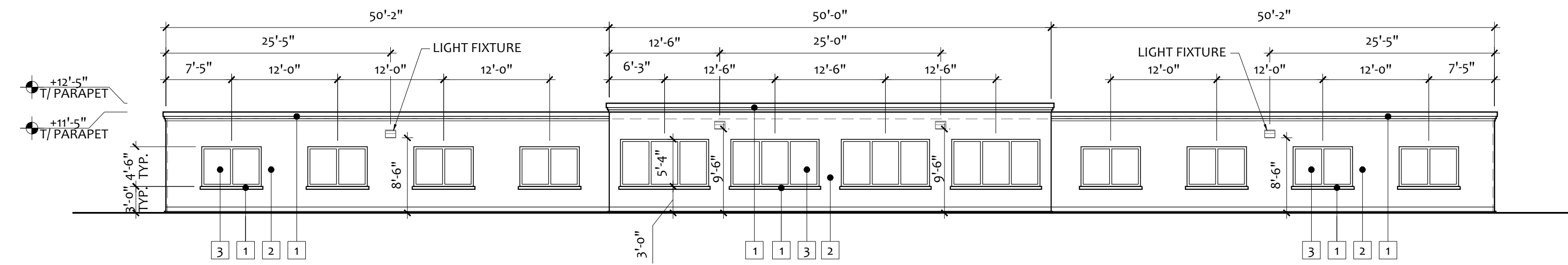
DATE: 15 DEC 2015	DRAWN BY: KM
JOB NUMBER: EXTERIOR ELEVATIONS	CHECKED BY: MA
A-301	

EXTERIOR FINISH LEGEND			
CODE	MATERIAL	MANUFACTURER	DESCRIPTION
			COLOR
1	EXTERIOR PAINT ON MTL. DOOR	SHERWIN WILLIAMS	EVERGREEN
2	EXTERIOR PAINT ON E.I.F.S. / METAL	SHERWIN WILLIAMS	SANDSTONE
3	EXTERIOR PAINT OVER E.I.F.S.	SHERWIN WILLIAMS	BLUE GRAY

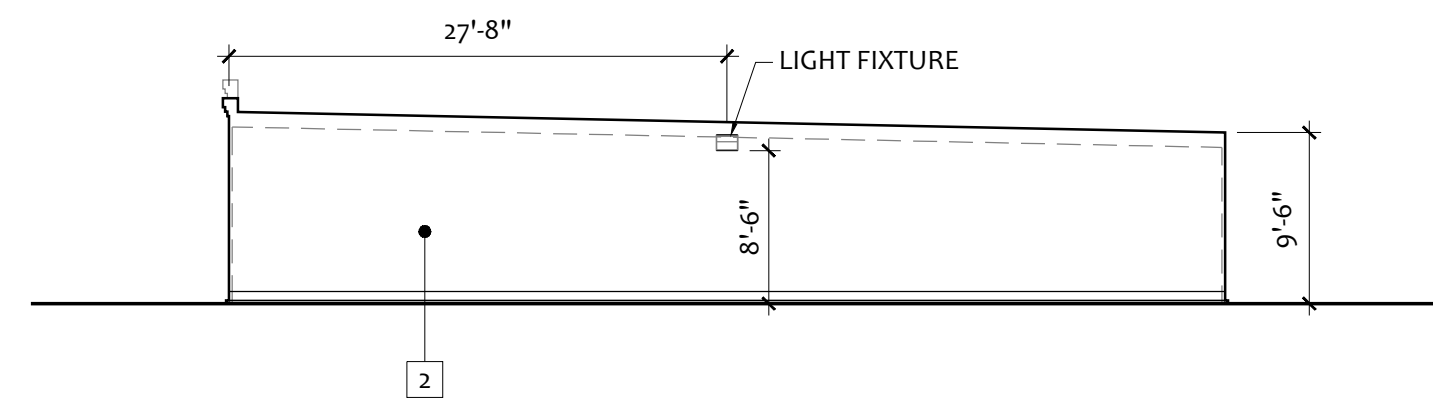
COLORS ARE PER BETCO COLOR PALETTE UNLESS OTHERWISE NOTED

All ideas, designs, arrangements and plans indicated or represented by this drawing are owned by and are the sole property of ELEVEN18 ARCHITECTURE, P.L.L.C. and were created and developed only for use on and in connection with the project specified here-in. None of the ideas, designs, arrangements and plans shall be used by or disclosed to any person, firm or corporation for any purpose whatsoever without the express written permission of ELEVEN18 ARCHITECTURE, P.L.L.C.

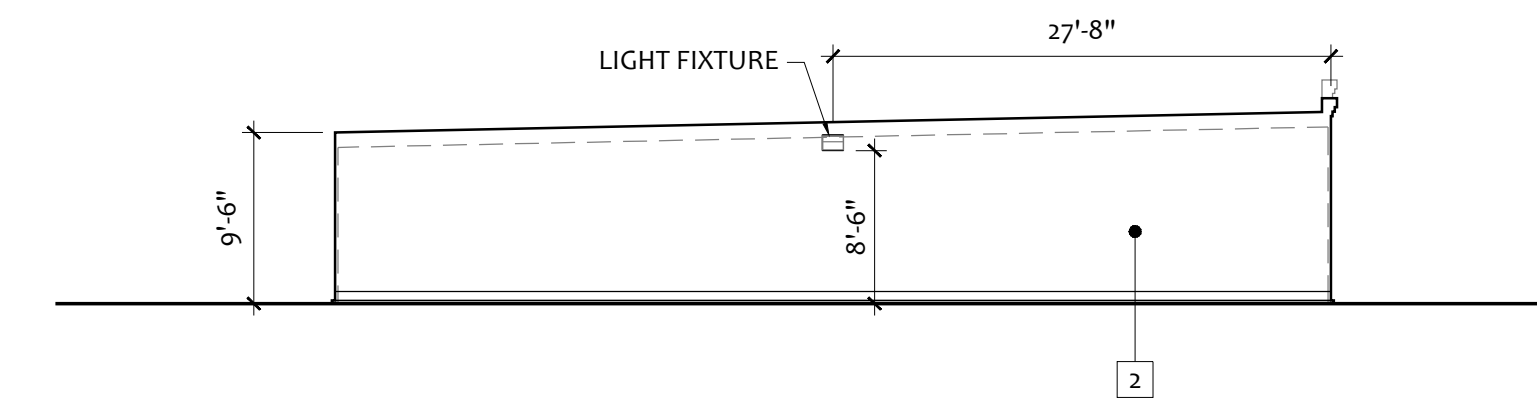
WARNING: Reproduction here-of is a criminal offense under 18U.S.C. SEC 506. Unauthorized disclosure may constitute a trade secret misappropriation in violation of 1.C.24-2-41-1 ET.SEQ and other laws. The ideas, arrangements and designs disclosed here-in may be patented or be the subject of a pending patent application.



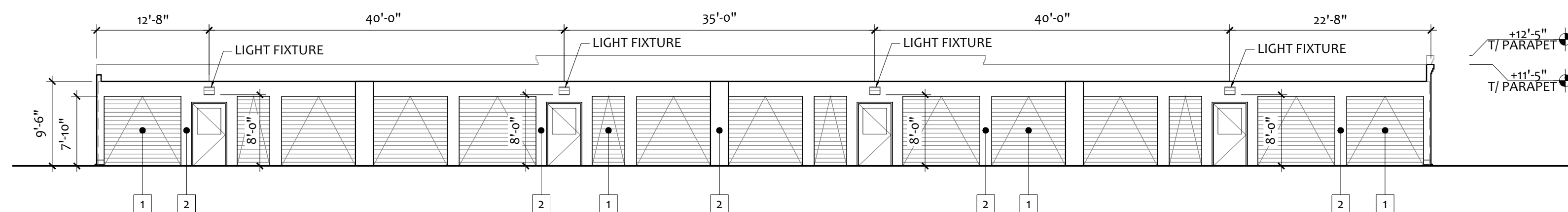
05 BUILDING 3 - NORTH ELEVATION
3/32" = 1'-0"



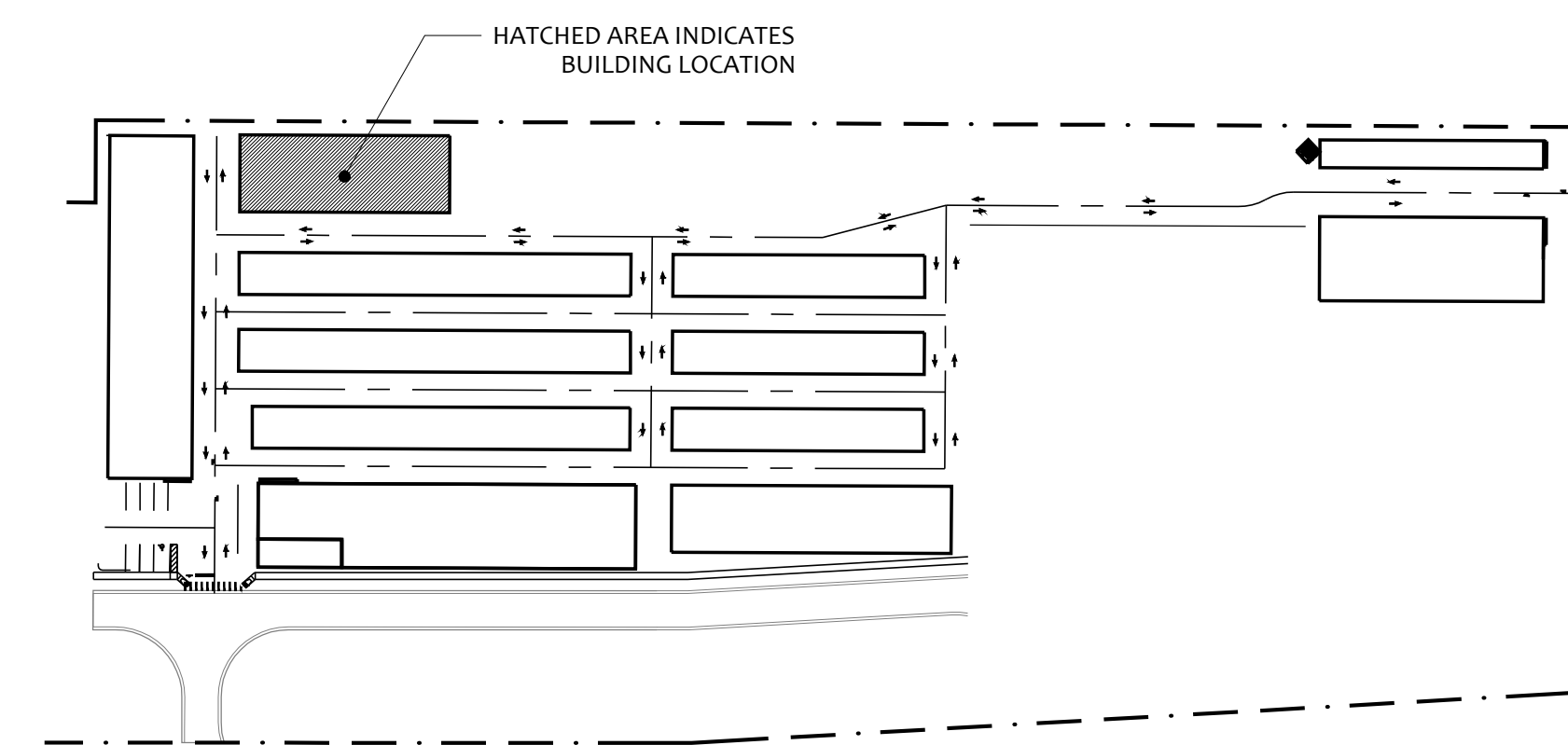
04 BUILDING 3 - WEST ELEVATION
3/32" = 1'-0"



03 BUILDING 3 - EAST ELEVATION
3/32" = 1'-0"



02 BUILDING 3 - SOUTH ELEVATION
3/32" = 1'-0"

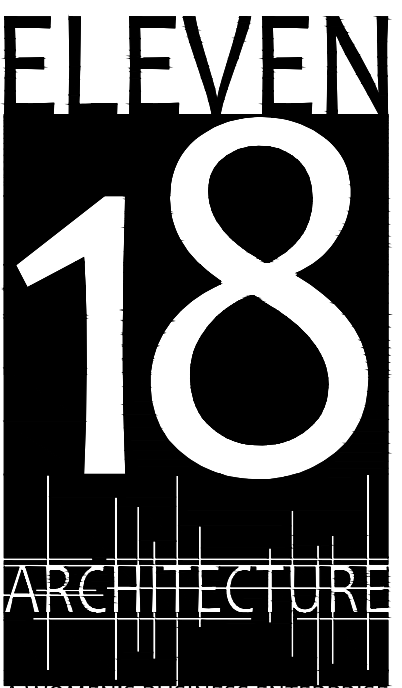


01 KEY PLAN
3/32" = 1'-0"

CONSULTANT

15 DEC 2015

- Mark Adams, AIA
FL. REG.#AR0094473
- Kim Day McCann, AIA
FL. REG.#AR0091738



License: AA26001884
424 E. Central Blvd. #542
Orlando, FL 32801
www.eleven18architecture.com
Mark Adams: 407-756-2119
Kim Day: 407-416-9960
Neke White: 407-416-9965

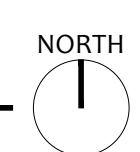
© Copyright 2015 ELEVEN18 ARCHITECTURE, P.L.L.C.
All Rights Reserved Worldwide

REVISIONS		
#	DATE	DESC.
--	01 JUN 15	PERMIT SET
--	20 NOV 15	PERMIT SET

PROJECT NAME:

Rockers Lockers
PROJECT CLIENT:
Rocker Family Trust

DATE: 15 DEC 2015	DRAWN BY: KM
JOB NUMBER: MA	CHECKED BY: MA
EXTERIOR ELEVATIONS	A-302



EXTERIOR FINISH LEGEND			
CODE	MATERIAL	MANUFACTURER	DESCRIPTION
			COLOR
1	EXTERIOR PAINT ON MTL. DOOR	SHERWIN WILLIAMS	EVERGREEN
2	EXTERIOR PAINT ON E.I.F.S. / METAL	SHERWIN WILLIAMS	SANDSTONE
3	EXTERIOR PAINT OVER E.I.F.S.	SHERWIN WILLIAMS	BLUE GRAY

COLORS ARE PER BETCO COLOR PALETTE UNLESS OTHERWISE NOTED

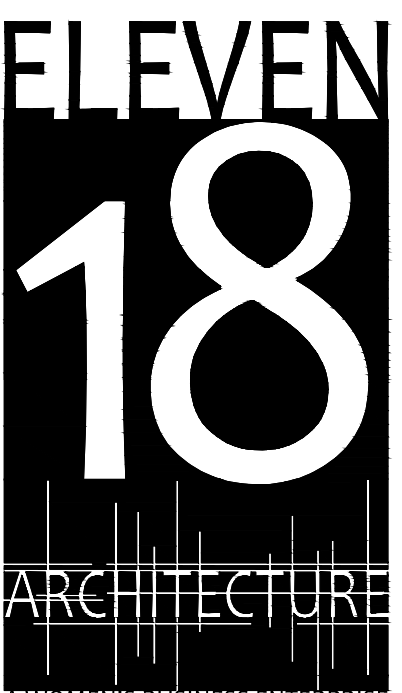
All ideas, designs, arrangements and plans indicated or represented by this drawing are owned by and are the sole property of ELEVEN18 ARCHITECTURE, P.L.L.C. and were created and developed only for use on and in connection with the project specified herein. None of the ideas, designs, arrangements and plans shall be used by or disclosed to any person, firm or corporation for any purpose whatsoever without the express written permission of ELEVEN18 ARCHITECTURE, P.L.L.C.

WARNING: Reproduction here-of is a criminal offense under 18U.S.C. SEC 506. Unauthorized disclosure may constitute a trade secret misappropriation in violation of 1.C.24-2-41-1 ET.SEQ and other laws. The ideas, arrangements and designs disclosed herein may be patented or be the subject of a pending patent application.

CONSULTANT

15 DEC 2015

- Mark Adams, AIA
FL. REG.#AR0094473
- Kim Day McCann, AIA
FL. REG.#AR0091738



A WOMEN'S BUSINESS ENTERPRISE

License: AA26001884

424 E. Central Blvd. #542
Orlando, FL 32801
www.eleven18architecture.com

Mark Adams: 407-756-2119
Kim Day: 407-416-9960
Neke White: 407-416-9965

© Copyright 2015 ELEVEN18 ARCHITECTURE, P.L.L.C.
All Rights Reserved Worldwide

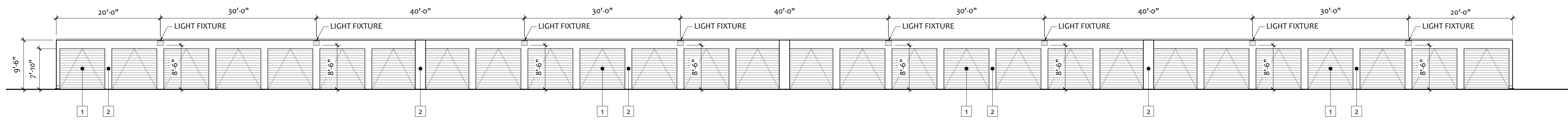
REVISIONS		
#	DATE	DESC.
--	01 JUN 15	PERMIT SET
--	20 NOV 15	PERMIT SET

PROJECT NAME:

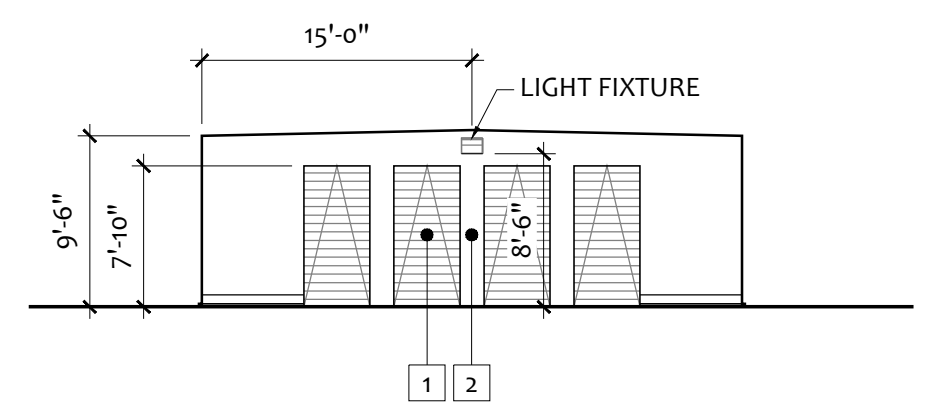
Rockers Lockers

PROJECT CLIENT:
Rocker Family Trust

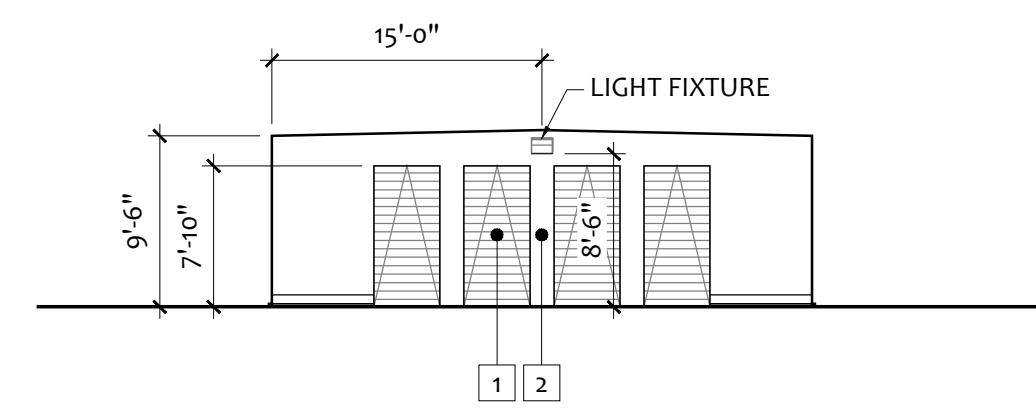
DATE: 15 DEC 2015	DRAWN BY: KM
JOB NUMBER: MA	CHECKED BY: MA
EXTERIOR ELEVATIONS	A-303



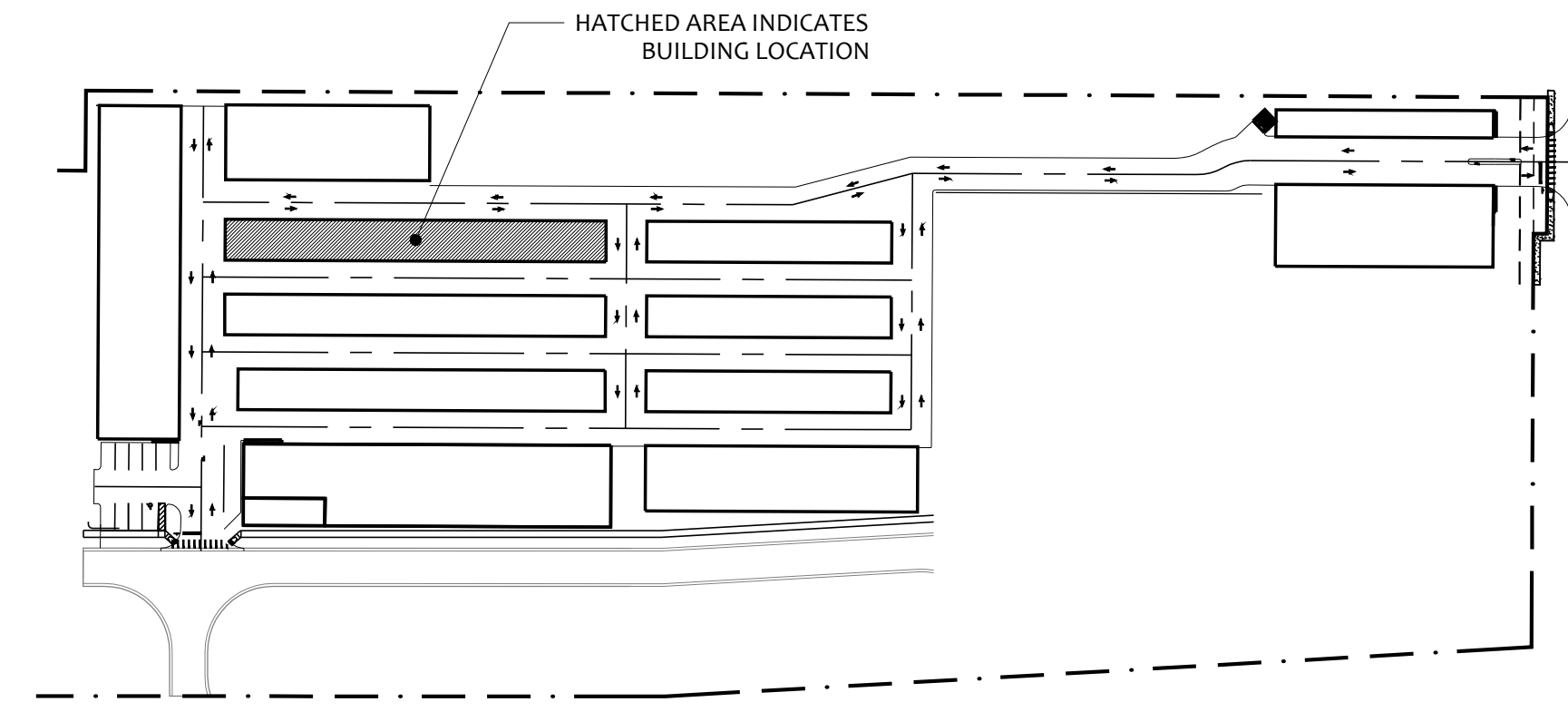
05 BUILDING 4 - NORTH ELEVATION
3/32" = 1'-0"



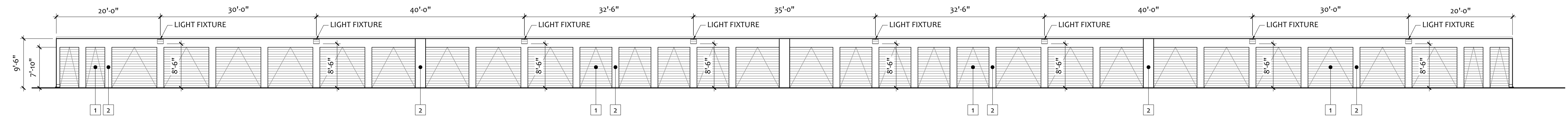
04 BUILDING 4 - WEST ELEVATION
3/32" = 1'-0"



03 BUILDING 4 - EAST ELEVATION
3/32" = 1'-0"



02 KEY PLAN
3/32" = 1'-0"



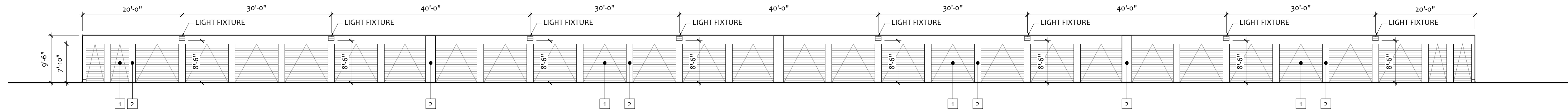
01 BUILDING 4 - SOUTH ELEVATION
3/32" = 1'-0"

EXTERIOR FINISH LEGEND			
CODE	MATERIAL	MANUFACTURER	DESCRIPTION
			COLOR
1	EXTERIOR PAINT ON MTL. DOOR	SHERWIN WILLIAMS	EVERGREEN
2	EXTERIOR PAINT ON E.I.F.S. / METAL	SHERWIN WILLIAMS	SANDSTONE
3	EXTERIOR PAINT OVER E.I.F.S.	SHERWIN WILLIAMS	BLUE GRAY

COLORS ARE PER BETCO COLOR PALETTE UNLESS OTHERWISE NOTED

All ideas, designs, arrangements and plans indicated or represented by this drawing are owned by and are the sole property of ELEVEN18 ARCHITECTURE, P.L.L.C. and were created and developed only for use on and in connection with the project specified herein. None of the ideas, designs, arrangements and plans shall be used by or disclosed to any person, firm or corporation for any purpose whatsoever without the express written permission of ELEVEN18 ARCHITECTURE, P.L.L.C.

WARNING: Reproduction here-of is a criminal offense under 18U.S.C. SEC 506. Unauthorized disclosure may constitute a trade secret misappropriation in violation of 1.C.24-2-41-1 ET.SEQ and other laws. The ideas, arrangements and designs disclosed herein may be patented or be the subject of a pending patent application.

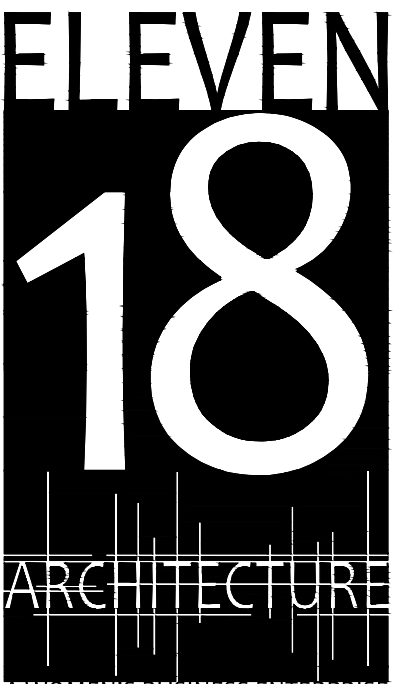


05 BUILDING 5 - NORTH ELEVATION
3/32" = 1'-0"

CONSULTANT

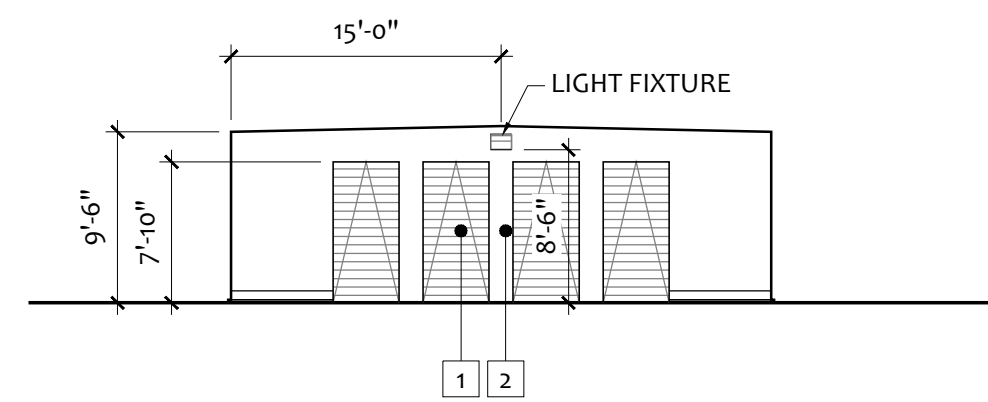
15 DEC 2015

Mark Adams, AIA
FL. REG.#AR0094473
Kim Day McCann, AIA
FL. REG.#AR0091738

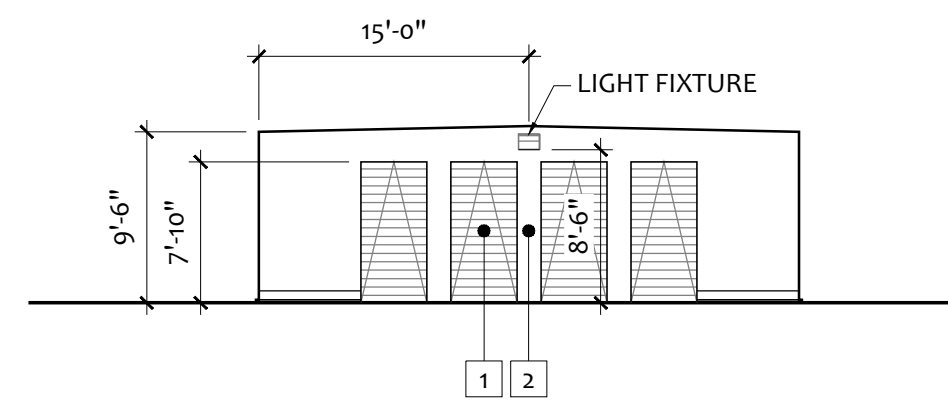


License: AA26001884
424 E. Central Blvd. #542
Orlando, FL 32801
www.eleven18architecture.com
Mark Adams: 407-756-2119
Kim Day: 407-416-9960
Neke White: 407-416-9965

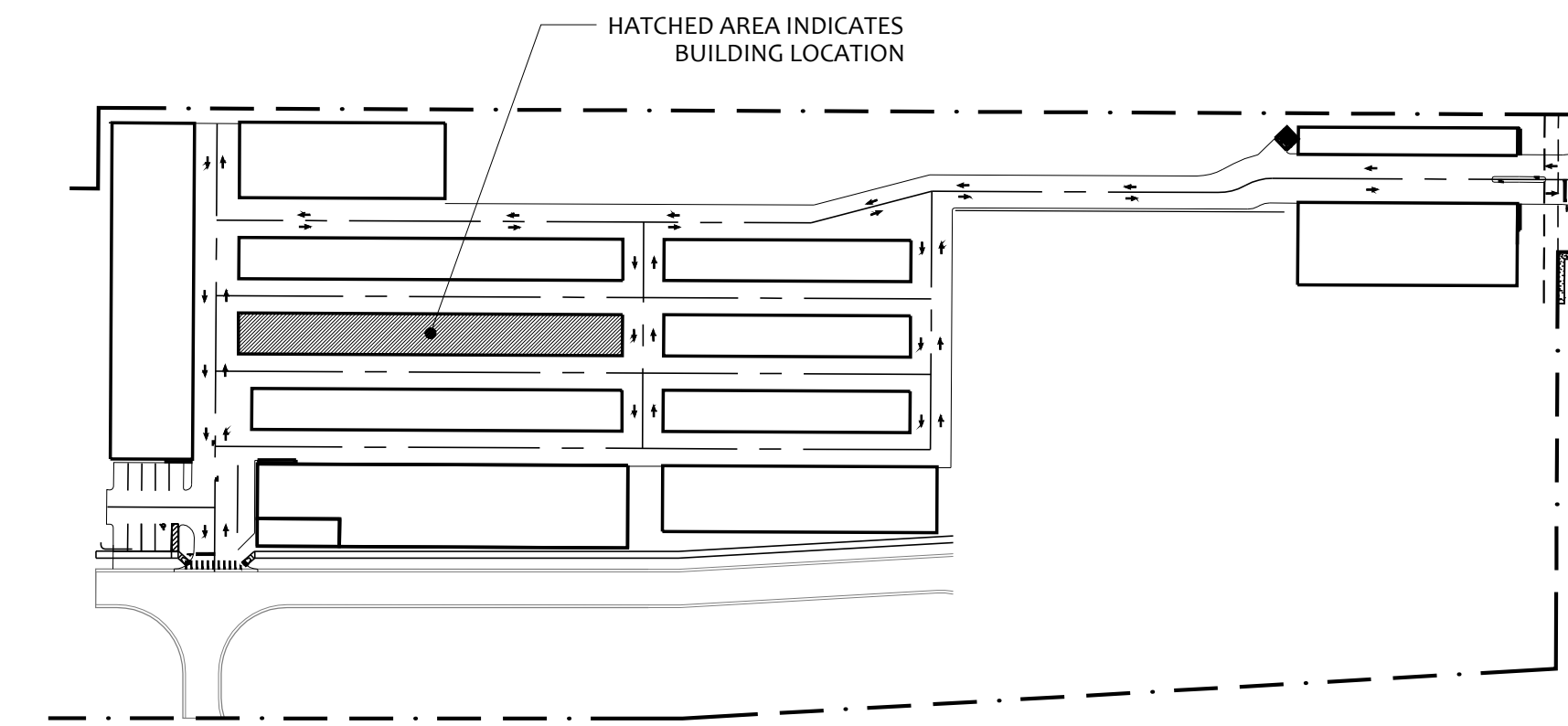
© Copyright 2015 ELEVEN18 ARCHITECTURE, P.L.L.C.
All Rights Reserved Worldwide



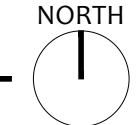
04 BUILDING 5 - WEST ELEVATION
3/32" = 1'-0"



03 BUILDING 5 - EAST ELEVATION
3/32" = 1'-0"



02 KEY PLAN
3/32" = 1'-0"



REVISIONS

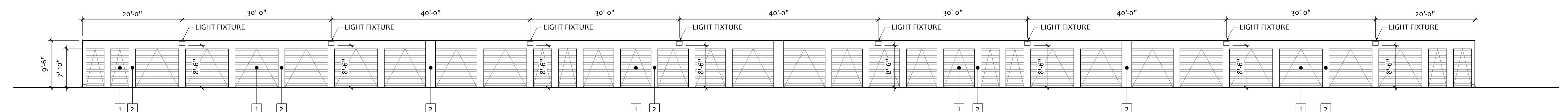
#	DATE	DESC.
--	01 JUN 15	PERMIT SET
--	20 NOV 15	PERMIT SET

PROJECT NAME:

**Rockers
Lockers**

PROJECT CLIENT:

**Rocker Family
Trust**



01 BUILDING 5 - SOUTH ELEVATION
3/32" = 1'-0"

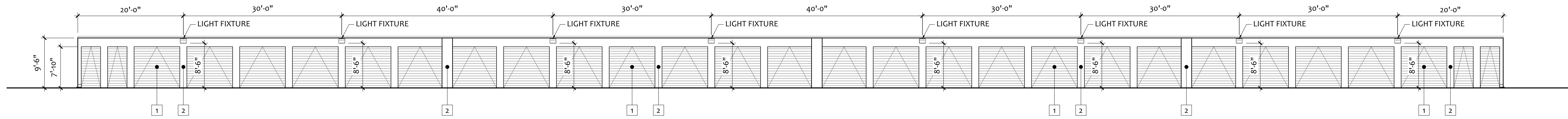
DATE: 15 DEC 2015	DRAWN BY: KM
JOB NUMBER:	CHECKED BY: MA
EXTERIOR ELEVATIONS	A-304

EXTERIOR FINISH LEGEND			
CODE	MATERIAL	MANUFACTURER	DESCRIPTION
			COLOR
1	EXTERIOR PAINT ON MTL. DOOR	SHERWIN WILLIAMS	EVERGREEN
2	EXTERIOR PAINT ON E.I.F.S. / METAL	SHERWIN WILLIAMS	SANDSTONE
3	EXTERIOR PAINT OVER E.I.F.S.	SHERWIN WILLIAMS	BLUE GRAY

COLORS ARE PER BETCO COLOR PALETTE UNLESS OTHERWISE NOTED

All ideas, designs, arrangements and plans indicated or represented by this drawing are owned by and are the sole property of ELEVEN18 ARCHITECTURE, P.L.L.C. and were created and developed only for use on and in connection with the project specified herein. None of the ideas, designs, arrangements and plans shall be used by or disclosed to any person, firm or corporation for any purpose whatsoever without the express written permission of ELEVEN18 ARCHITECTURE, P.L.L.C.

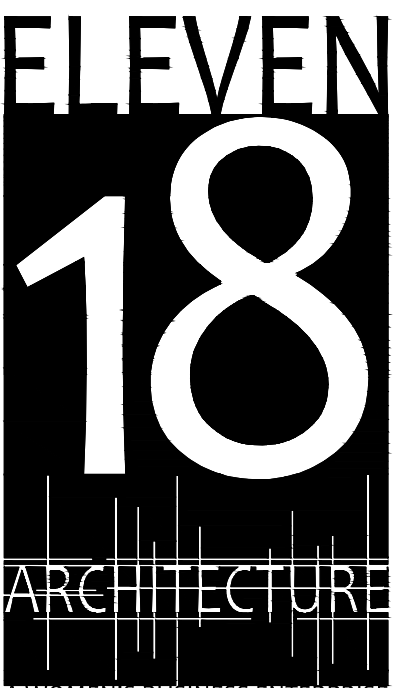
WARNING: Reproduction here-of is a criminal offense under 18U.S.C. SEC 506. Unauthorized disclosure may constitute trade secret misappropriation in violation of 1.C.24-2-41-1 ET. SEQ and other laws. The ideas, arrangements and designs disclosed herein may be patented or be the subject of a pending patent application.



05 BUILDING 6 - NORTH ELEVATION
3/32" = 1'-0"

15 DEC 2015

- Mark Adams, AIA
FL. REG.#AR0094473
- Kim Day McCann, AIA
FL. REG.#AR0091738



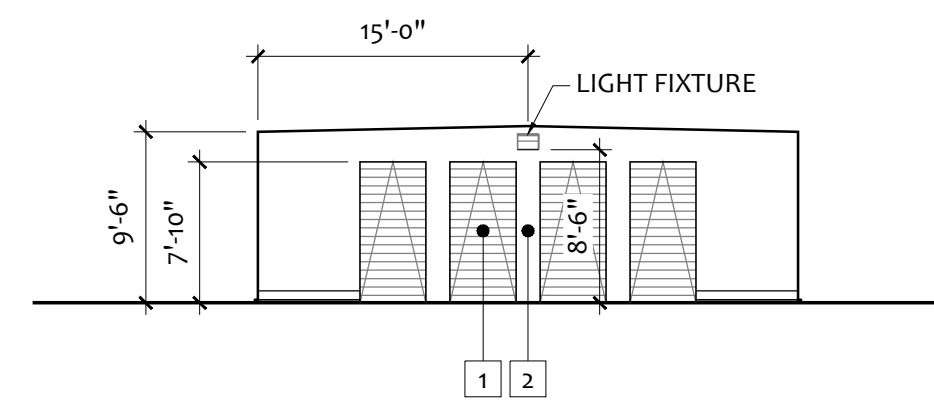
A WOMEN'S BUSINESS ENTERPRISE

License: AA26001884

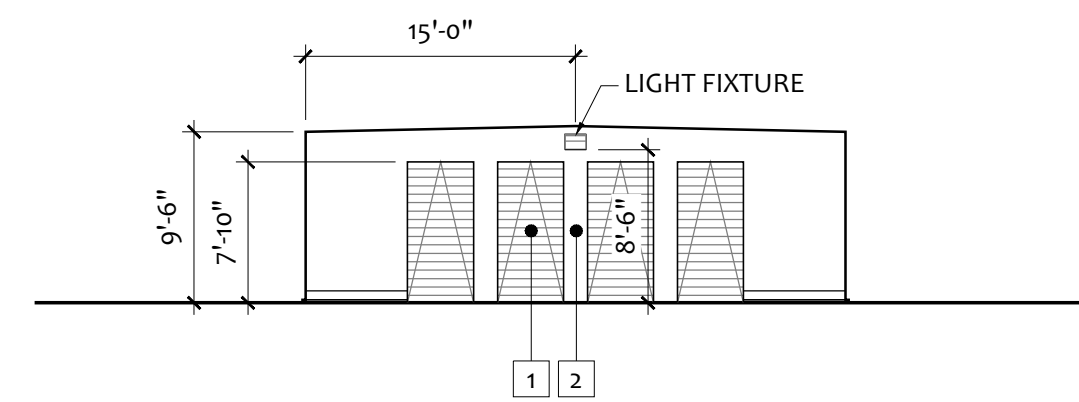
424 E. Central Blvd. #542
Orlando, FL 32801
www.eleven18architecture.com

Mark Adams: 407-756-2119
Kim Day: 407-416-9960
Neke White: 407-416-9965

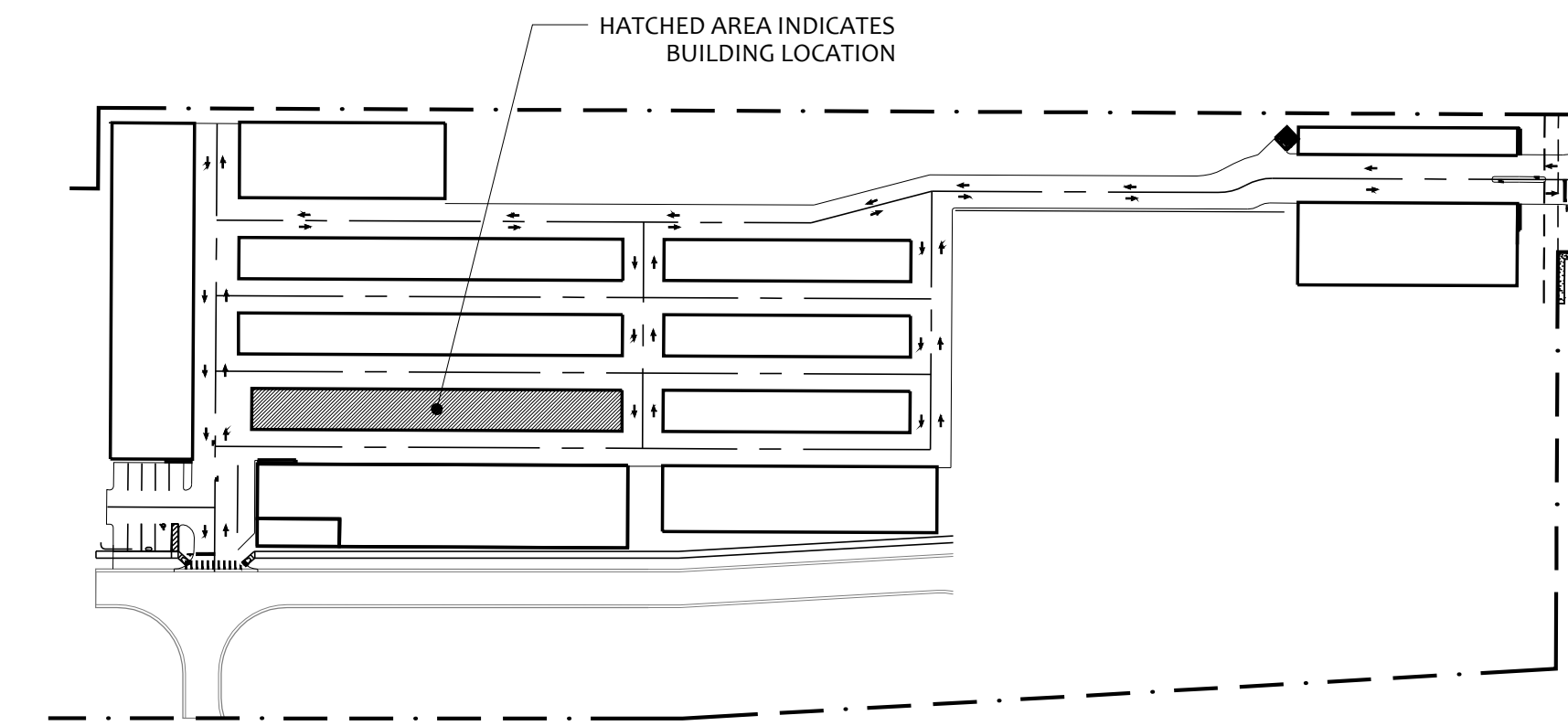
© Copyright 2015 ELEVEN18 ARCHITECTURE, P.L.L.C.
All Rights Reserved Worldwide



04 BUILDING 6 - WEST ELEVATION
3/32" = 1'-0"



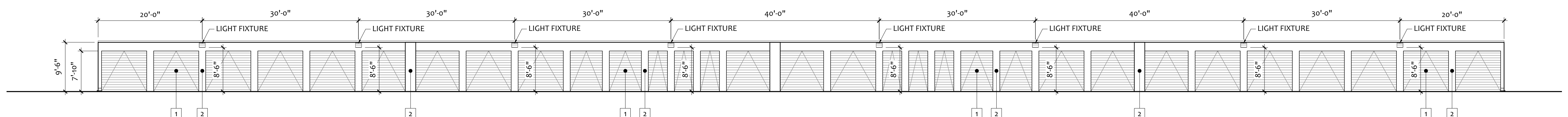
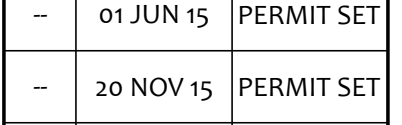
03 BUILDING 6 - EAST ELEVATION
3/32" = 1'-0"



02 KEY PLAN
3/32" = 1'-0"

REVISIONS

#	DATE	DESC.
--	01 JUN 15	PERMIT SET
--	20 NOV 15	PERMIT SET



01 BUILDING 6 - SOUTH ELEVATION
3/32" = 1'-0"

PROJECT NAME:

**Rockers
Lockers**

PROJECT CLIENT:

**Rocker Family
Trust**

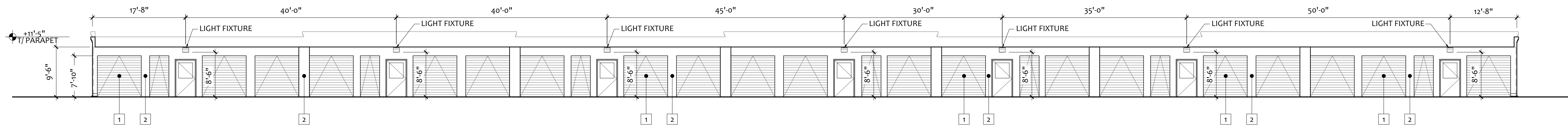
DATE: 15 DEC 2015	DRAWN BY: KM
JOB NUMBER: MA	CHECKED BY: MA
EXTERIOR ELEVATIONS	A-305

EXTERIOR FINISH LEGEND			
CODE	MATERIAL	MANUFACTURER	DESCRIPTION
1	EXTERIOR PAINT ON MTL. DOOR	SHERWIN WILLIAMS	EVERGREEN
2	EXTERIOR PAINT ON E.I.F.S. / METAL	SHERWIN WILLIAMS	SANDSTONE
3	EXTERIOR PAINT OVER E.I.F.S.	SHERWIN WILLIAMS	BLUE GRAY

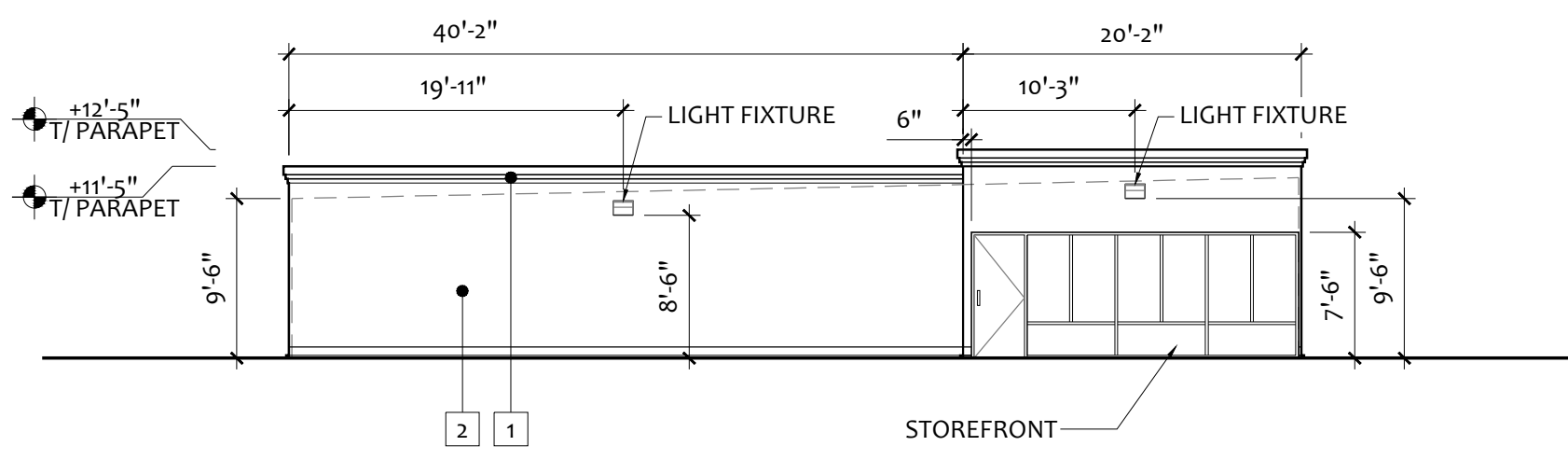
COLORS ARE PER BETCO COLOR PALETTE UNLESS OTHERWISE NOTED

All ideas, designs, arrangements and plans indicated or represented by this drawing are owned by and are the sole property of ELEVEN18 ARCHITECTURE, P.L.L.C. and were created and developed only for use on and in connection with the project specified herein. None of the ideas, designs, arrangements and plans shall be used or disclosed to any person, firm or corporation for any purpose whatsoever without the express written permission of ELEVEN18 ARCHITECTURE, P.L.L.C.

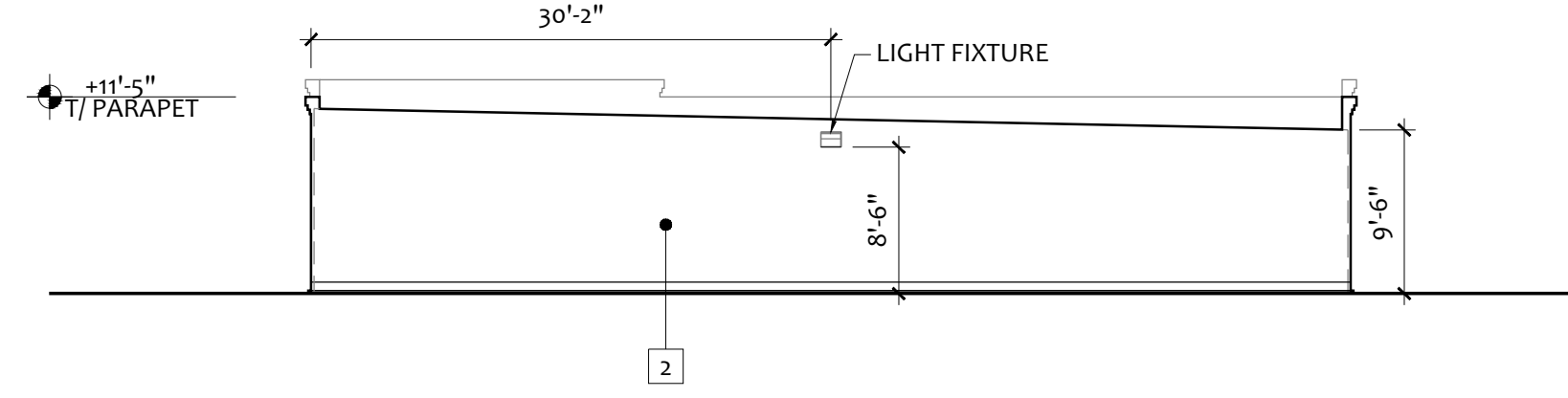
WARNING: Reproduction here-of is a criminal offense under 18U.S.C. SEC 506. Unauthorized disclosure may constitute trade secret misappropriation in violation of 1.C.24-2-41-1 ET.SEQ and other laws. The ideas, arrangements and designs disclosed herein may be patented or be the subject of a pending patent application.



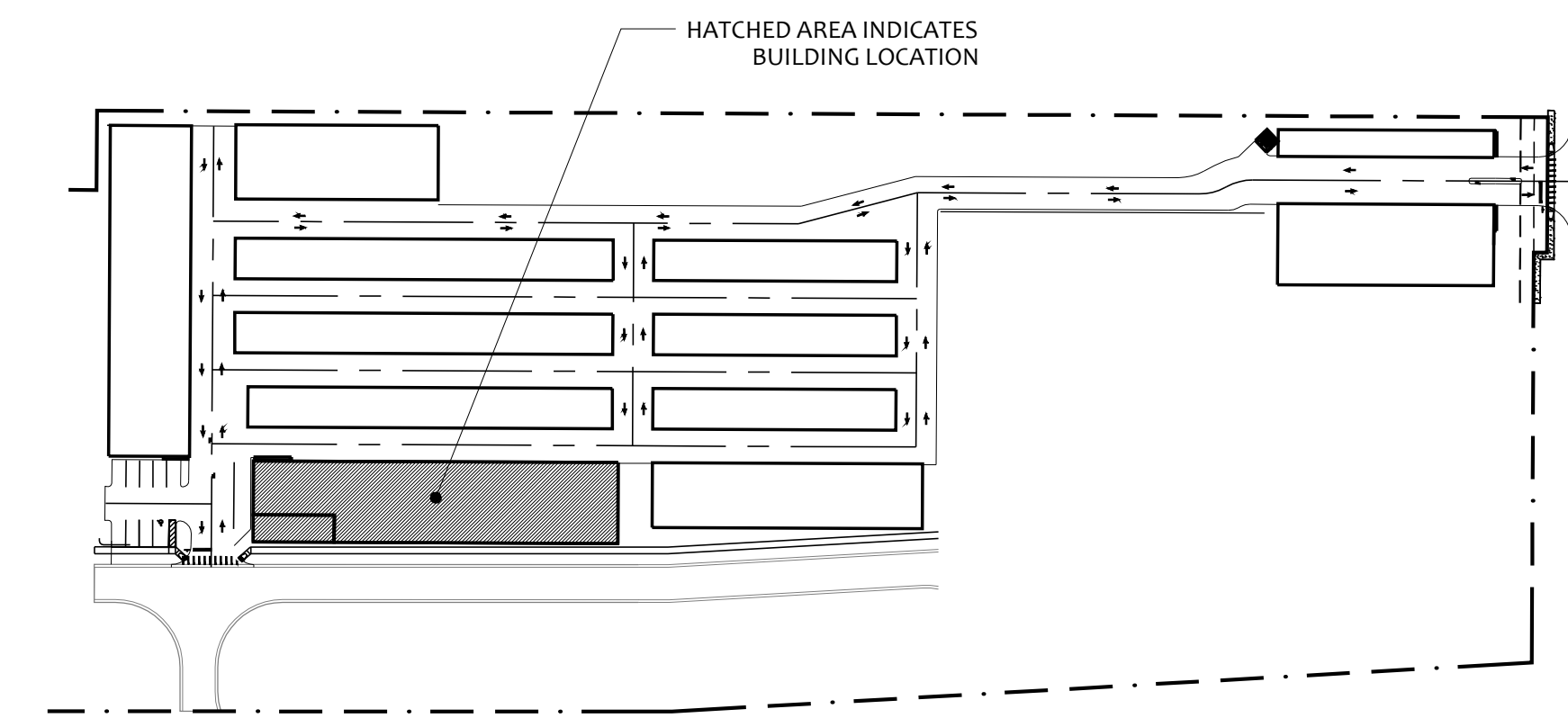
05 BUILDING 7/1 - NORTH ELEVATION
3/32" = 1'-0"



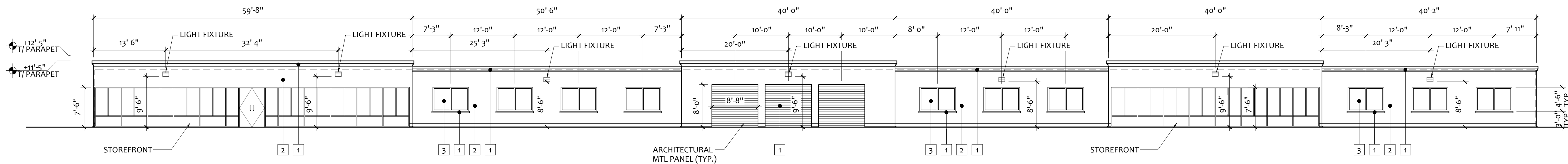
04 BUILDING 7/1 - WEST ELEVATION
3/32" = 1'-0"



03 BUILDING 7/1 - EAST ELEVATION
3/32" = 1'-0"



02 KEY PLAN
3/32" = 1'-0"

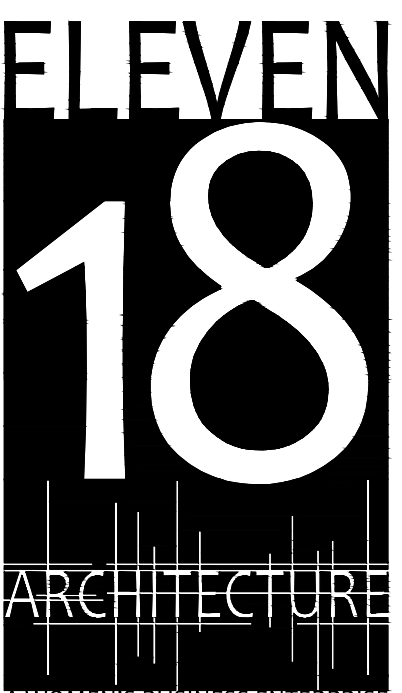


01 BUILDING 7/1 - SOUTH ELEVATION
3/32" = 1'-0"

CONSULTANT

15 DEC 2015

- Mark Adams, AIA
FL. REG.#AR0094473
- Kim Day McCann, AIA
FL. REG.#AR0091738



License: AA26001884
424 E. Central Blvd. #542
Orlando, FL 32801
www.eleven18architecture.com
Mark Adams: 407-756-2119
Kim Day: 407-416-9960
Neke White: 407-416-9965

© Copyright 2015 ELEVEN18 ARCHITECTURE, P.L.L.C.
All Rights Reserved Worldwide

REVISIONS		
#	DATE	DESC.
--	01 JUN 15	PERMIT SET
--	20 NOV 15	PERMIT SET

PROJECT NAME:

Rockers Lockers
PROJECT CLIENT:
Rocker Family Trust

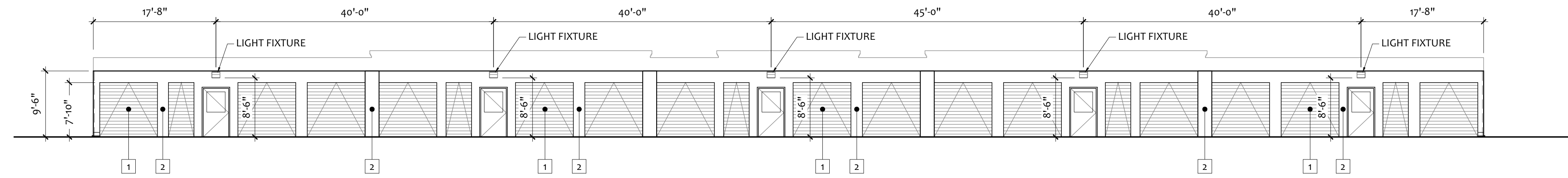
DATE: 15 DEC 2015	DRAWN BY: KM
JOB NUMBER: CHECKED BY: MA	
EXTERIOR ELEVATIONS	A-306

EXTERIOR FINISH LEGEND			
CODE	MATERIAL	MANUFACTURER	DESCRIPTION
			COLOR
1	EXTERIOR PAINT ON MTL. DOOR	SHERWIN WILLIAMS	EVERGREEN
2	EXTERIOR PAINT ON E.I.F.S. / METAL	SHERWIN WILLIAMS	SANDSTONE
3	EXTERIOR PAINT OVER E.I.F.S.	SHERWIN WILLIAMS	BLUE GRAY

COLORS ARE PER BETCO COLOR PALETTE UNLESS OTHERWISE NOTED

All ideas, designs, arrangements and plans indicated or represented by this drawing are owned by and are the sole property of ELEVEN18 ARCHITECTURE, P.L.L.C. and were created and developed only for use on and in connection with the project specified herein. None of the ideas, designs, arrangements and plans shall be used by or disclosed to any person, firm or corporation for any purpose whatsoever without the express written permission of ELEVEN18 ARCHITECTURE, P.L.L.C.

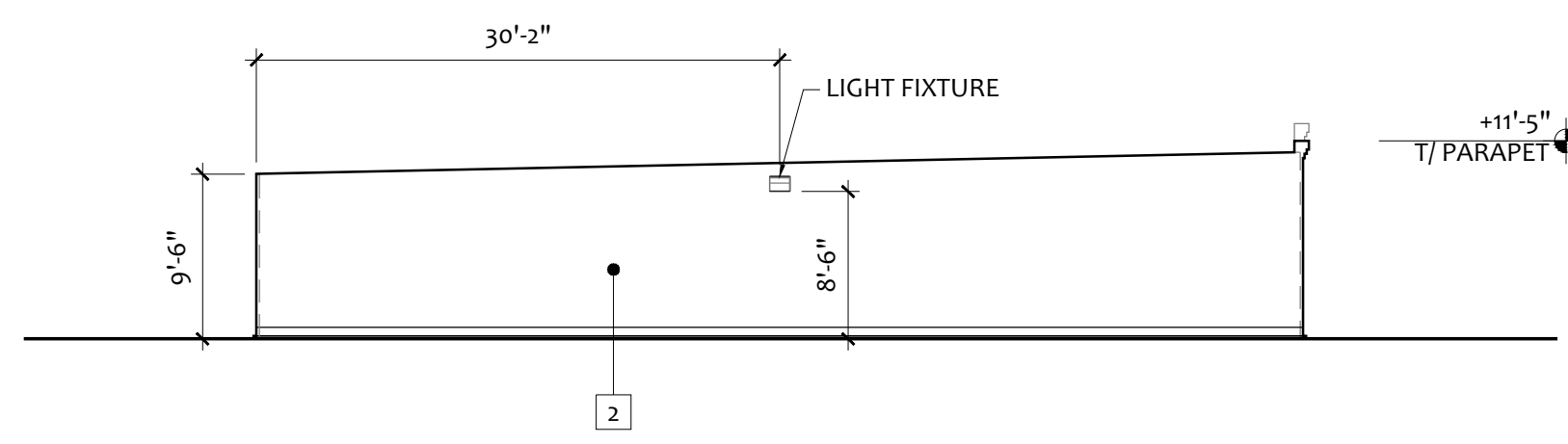
WARNING: Reproduction here-of is a criminal offense under 18U.S.C. SEC 506. Unauthorized disclosure may constitute trade secret misappropriation in violation of 18C.F.R. 1.24-2.41-1 ET. SEQ and other laws. The ideas, arrangements and designs disclosed herein may be patented or be the subject of a pending patent application.



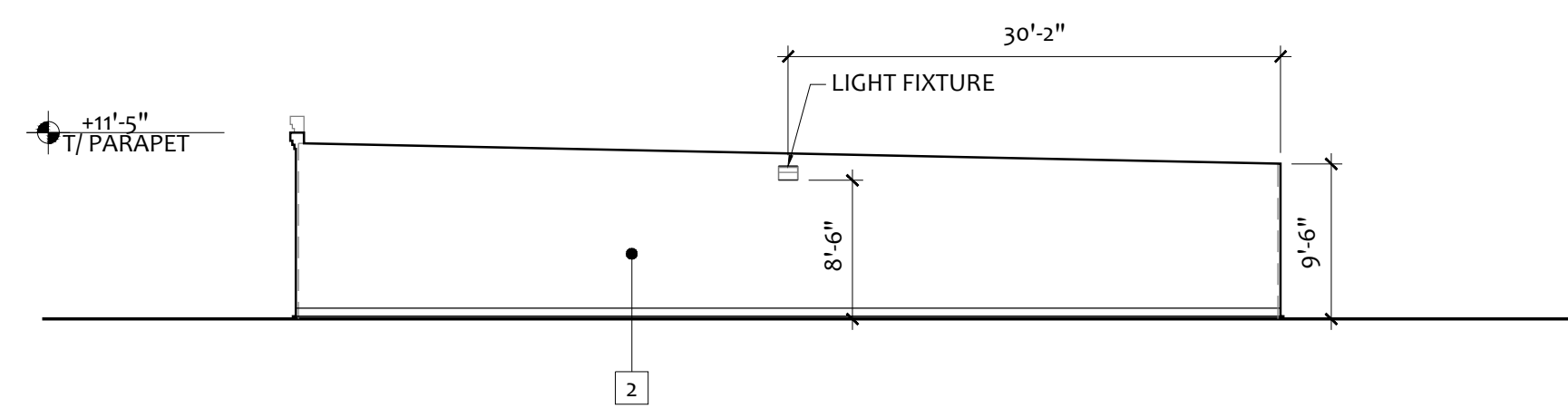
05 BUILDING 8 - NORTH ELEVATION
3/32" = 1'-0"

15 DEC 2015

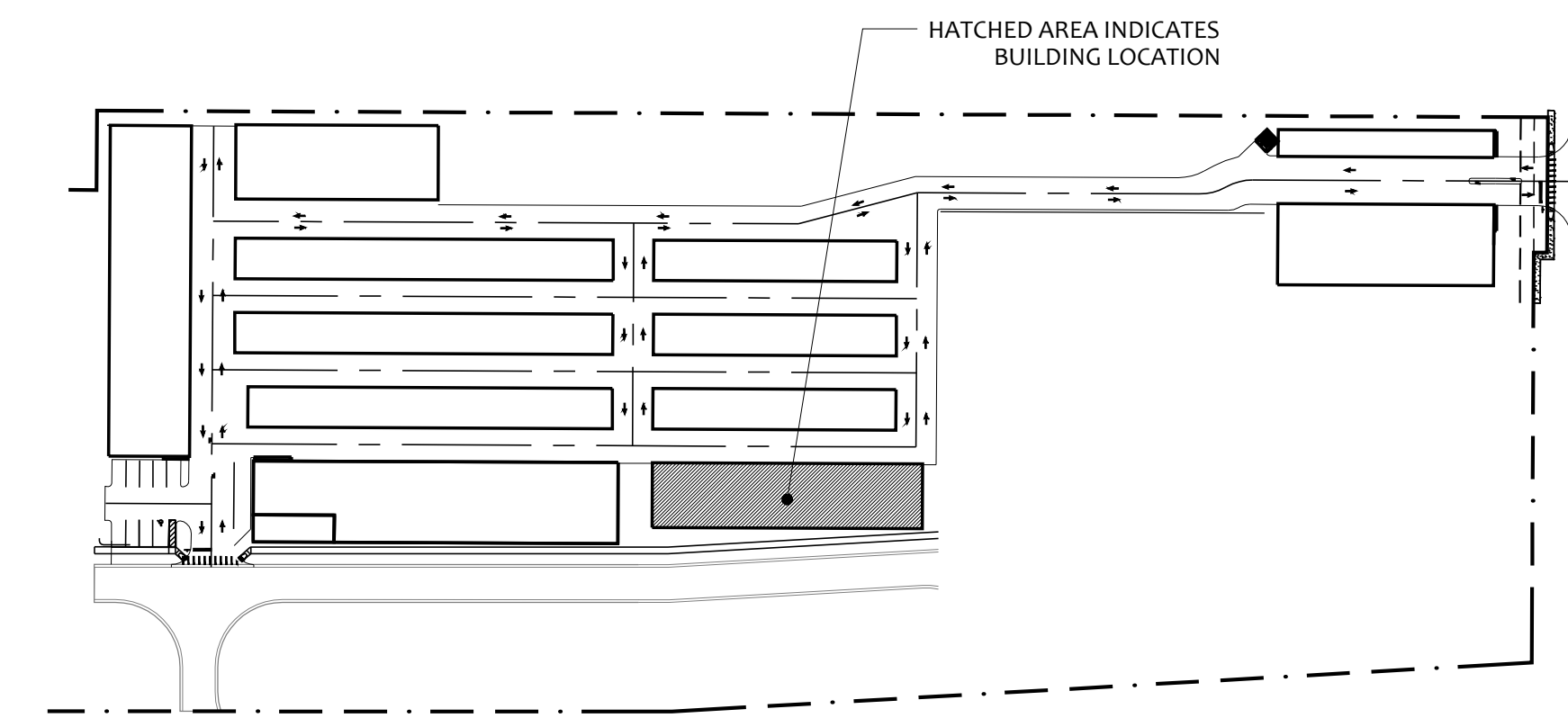
Mark Adams, AIA
 FL. REG.#AR0094473
 Kim Day McCann, AIA
 FL. REG.#AR0091738



04 BUILDING 8 - WEST ELEVATION
3/32" = 1'-0"



03 BUILDING 8 - EAST ELEVATION
3/32" = 1'-0"



02 KEY PLAN
3/32" = 1'-0"

ELEVEN18
ARCHITECTURE

A WOMEN'S BUSINESS ENTERPRISE

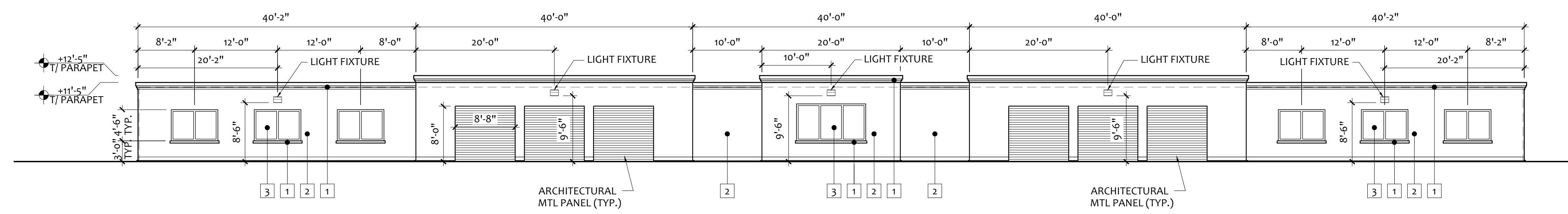
License: AA26001884

424 E. Central Blvd. #542
Orlando, FL 32801
www.eleven18architecture.com

Mark Adams: 407-756-2119
Kim Day: 407-416-9960
Neke White: 407-416-9965

© Copyright 2015 ELEVEN18 ARCHITECTURE, P.L.L.C.
All Rights Reserved Worldwide

REVISIONS		
#	DATE	DESC.
--	01 JUN 15	PERMIT SET
--	20 NOV 15	PERMIT SET



01 BUILDING 8 - SOUTH ELEVATION
3/32" = 1'-0"

PROJECT NAME:
Rockers Lockers

PROJECT CLIENT:
Rocker Family Trust

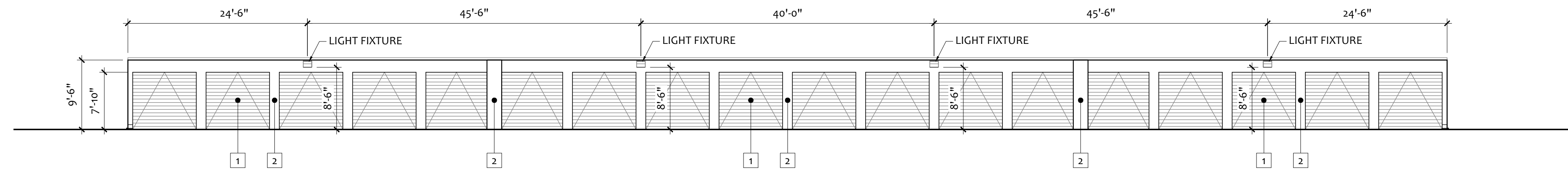
DATE: 15 DEC 2015	DRAWN BY: KM
JOB NUMBER: CHECKED BY: MA	
EXTERIOR ELEVATIONS	A-307

EXTERIOR FINISH LEGEND			
CODE	MATERIAL	MANUFACTURER	DESCRIPTION
			COLOR
1	EXTERIOR PAINT ON MTL. DOOR	SHERWIN WILLIAMS	EVERGREEN
2	EXTERIOR PAINT ON E.I.F.S. / METAL	SHERWIN WILLIAMS	SANDSTONE
3	EXTERIOR PAINT OVER E.I.F.S.	SHERWIN WILLIAMS	BLUE GRAY

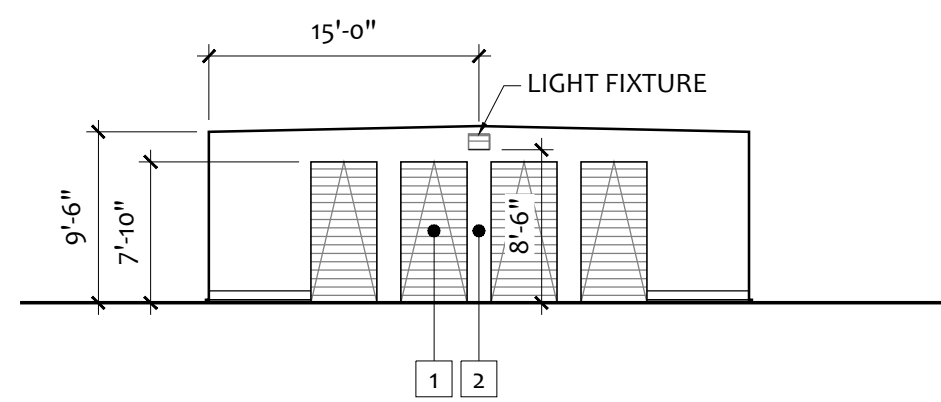
COLORS ARE PER BETCO COLOR PALETTE UNLESS OTHERWISE NOTED

All ideas, designs, arrangements and plans indicated or represented by this drawing are owned by and are the sole property of ELEVEN18 ARCHITECTURE, P.L.L.C. and were created and developed only for use on and in connection with the project specified herein. None of the ideas, designs, arrangements and plans shall be used by or disclosed to any person, firm or corporation for any purpose whatsoever without the express written permission of ELEVEN18 ARCHITECTURE, P.L.L.C.

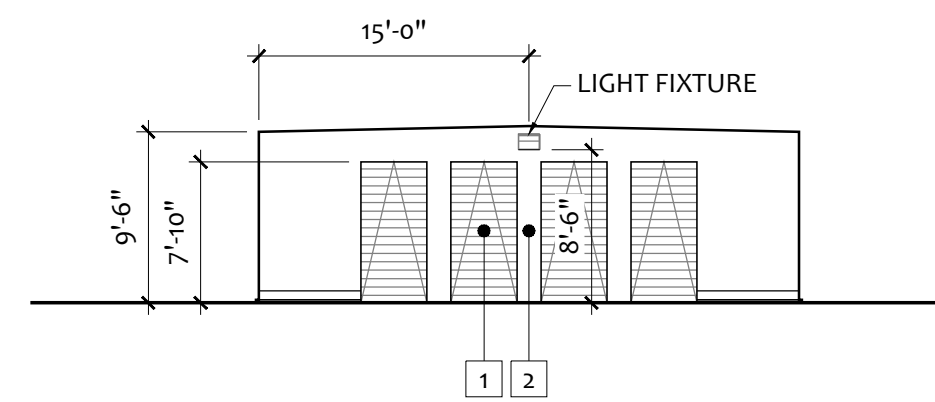
WARNING: Reproduction here-of is a criminal offense under 18U.S.C. SEC 506. Unauthorized disclosure may constitute a trade secret misappropriation in violation of 18C.F.R. 1.24-2.41-1 ET. SEQ and other laws. The ideas, arrangements and designs disclosed herein may be patented or be the subject of a pending patent application.



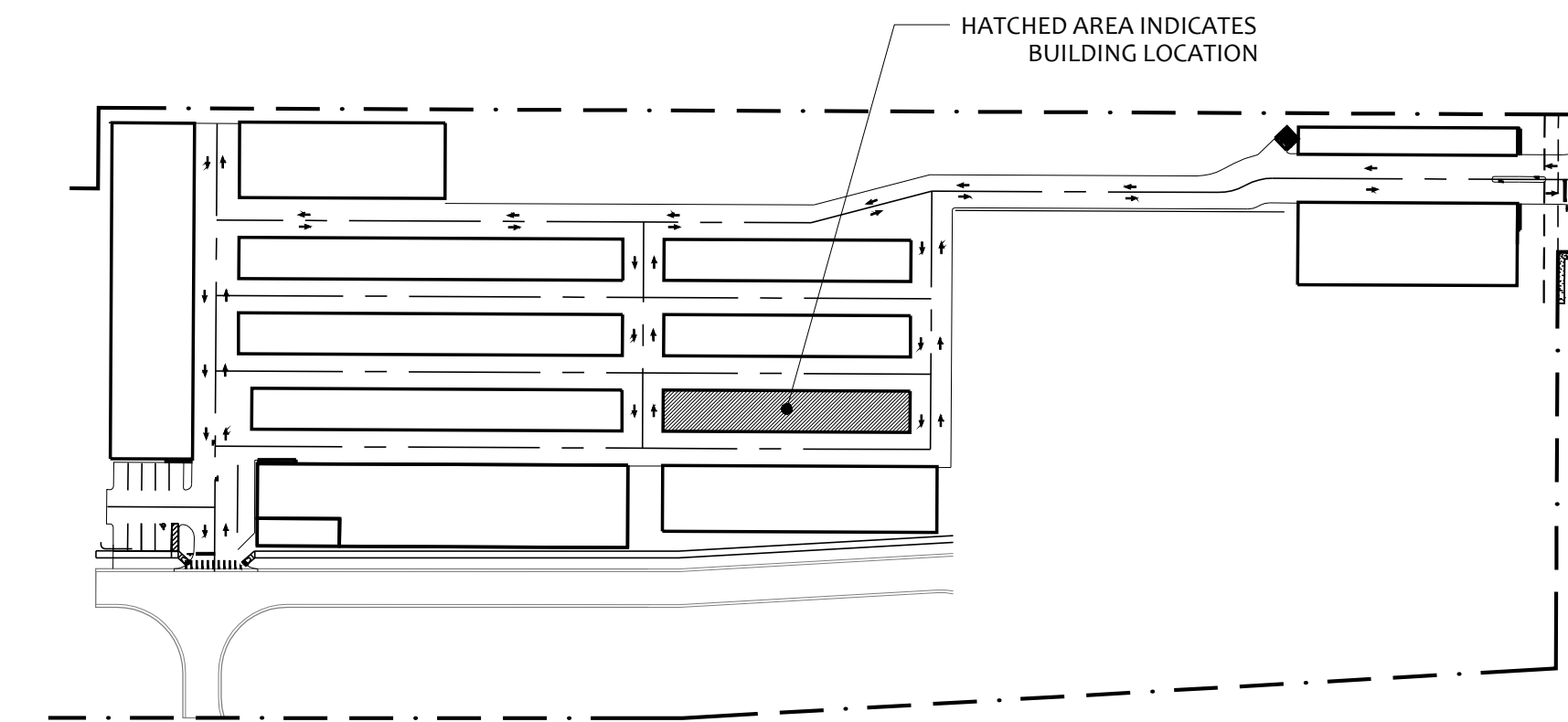
05 BUILDING 9 - NORTH ELEVATION
3/32" = 1'-0"



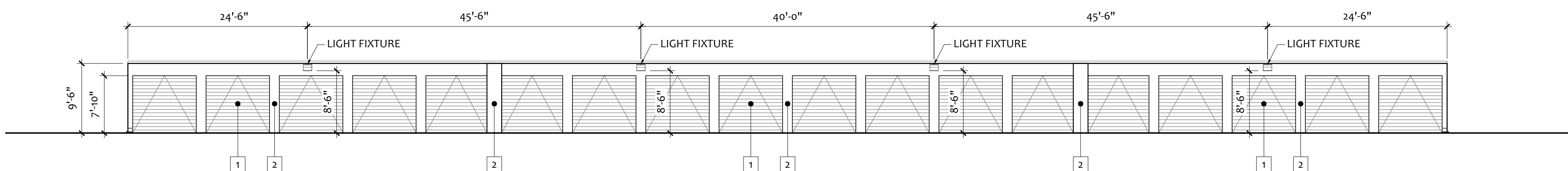
04 BUILDING 9 - WEST ELEVATION
3/32" = 1'-0"



03 BUILDING 9 - EAST ELEVATION
3/32" = 1'-0"



02 KEY PLAN
3/32" = 1'-0"

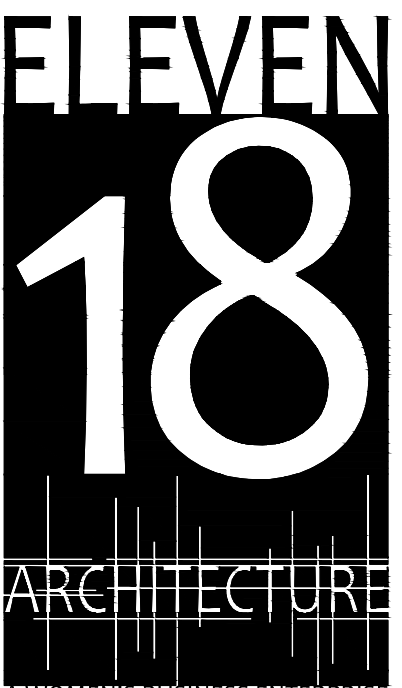


01 BUILDING 9 - SOUTH ELEVATION
3/32" = 1'-0"

CONSULTANT

15 DEC 2015

- Mark Adams, AIA
FL. REG.#AR0094473
- Kim Day McCann, AIA
FL. REG.#AR0091738



A WOMEN'S BUSINESS ENTERPRISE

License: AA26001884
424 E. Central Blvd. #542
Orlando, FL 32801
www.eleven18architecture.com
Mark Adams: 407-756-2119
Kim Day: 407-416-9960
Neke White: 407-416-9965

© Copyright 2015 ELEVEN18 ARCHITECTURE, P.L.L.C.
All Rights Reserved Worldwide

REVISIONS		
#	DATE	DESC.
--	01 JUN 15	PERMIT SET
--	20 NOV 15	PERMIT SET

PROJECT NAME:

**Rockers
Lockers**

PROJECT CLIENT:

**Rocker Family
Trust**

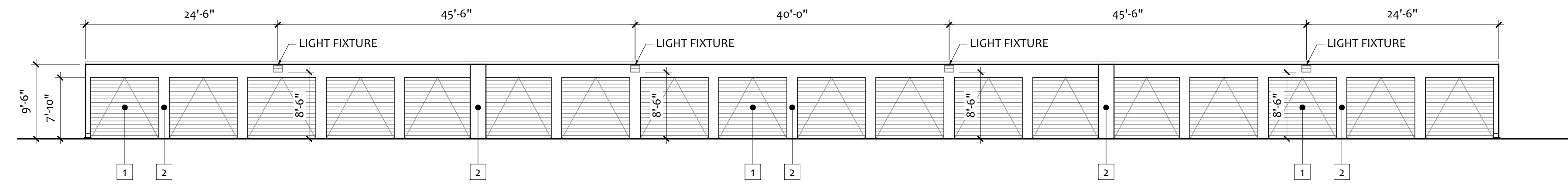
DATE: 15 DEC 2015	DRAWN BY: KM
JOB NUMBER: MA	CHECKED BY: MA
EXTERIOR ELEVATIONS	A-308

EXTERIOR FINISH LEGEND			
CODE	MATERIAL	MANUFACTURER	DESCRIPTION
			COLOR
1	EXTERIOR PAINT ON MTL. DOOR	SHERWIN WILLIAMS	EVERGREEN
2	EXTERIOR PAINT ON E.I.F.S. / METAL	SHERWIN WILLIAMS	SANDSTONE
3	EXTERIOR PAINT OVER E.I.F.S.	SHERWIN WILLIAMS	BLUE GRAY

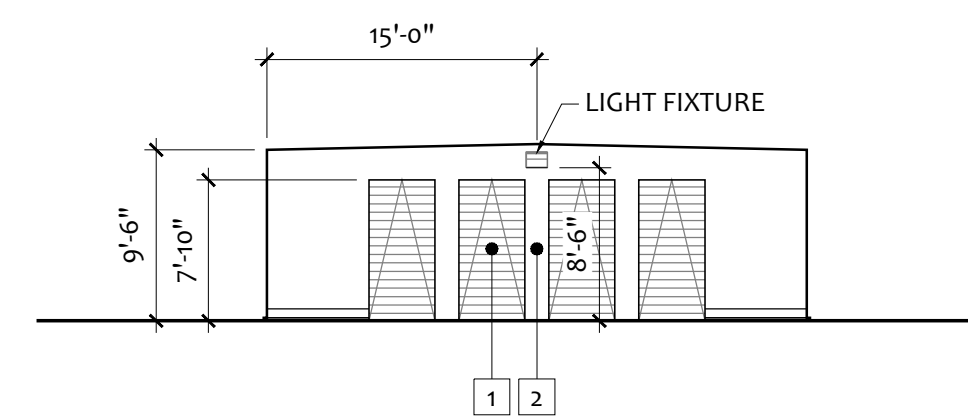
COLORS ARE PER BETCO COLOR PALETTE UNLESS OTHERWISE NOTED

All ideas, designs, arrangements and plans indicated or represented by this drawing are owned by and are the sole property of ELEVEN18 ARCHITECTURE, P.L.L.C. and were created and developed only for use on and in connection with the project specified herein. None of the ideas, designs, arrangements and plans shall be used by or disclosed to any person, firm or corporation for any purpose whatsoever without the express written permission of ELEVEN18 ARCHITECTURE, P.L.L.C.

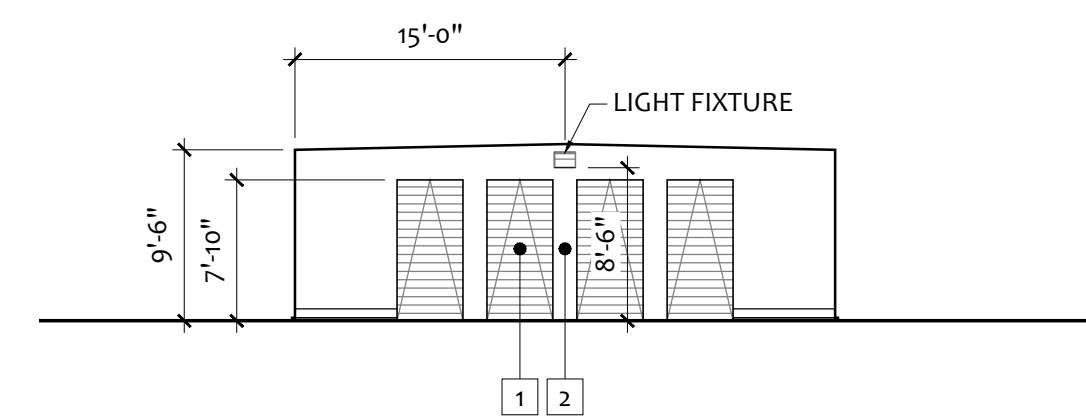
WARNING: Reproduction here-of is a criminal offense under 18U.S.C. SEC 506. Unauthorized disclosure may constitute trade secret misappropriation in violation of 18C.F.R. 1.103 and other laws. The ideas, arrangements and designs disclosed herein may be patented or be the subject of a pending patent application.



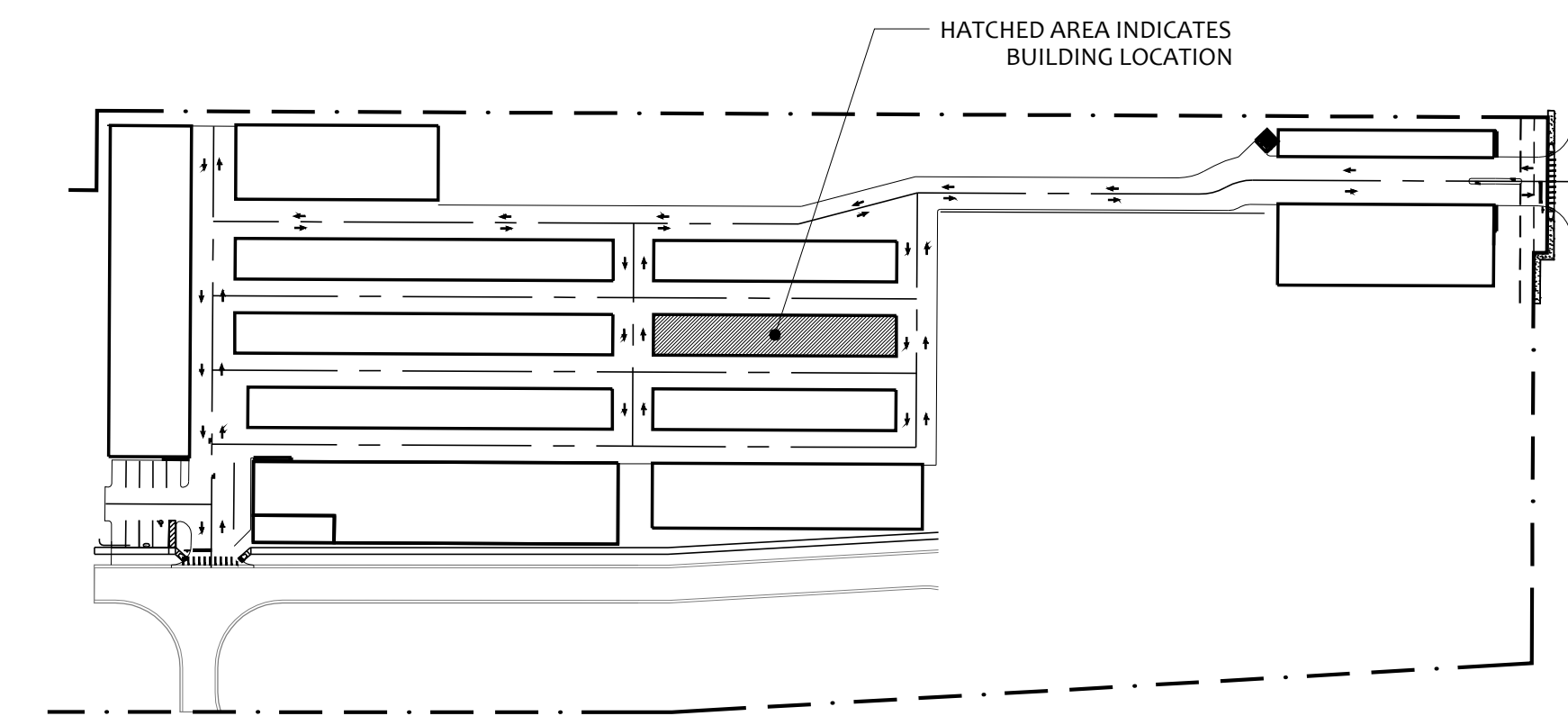
05 BUILDING 10 - NORTH ELEVATION
3/32" = 1'-0"



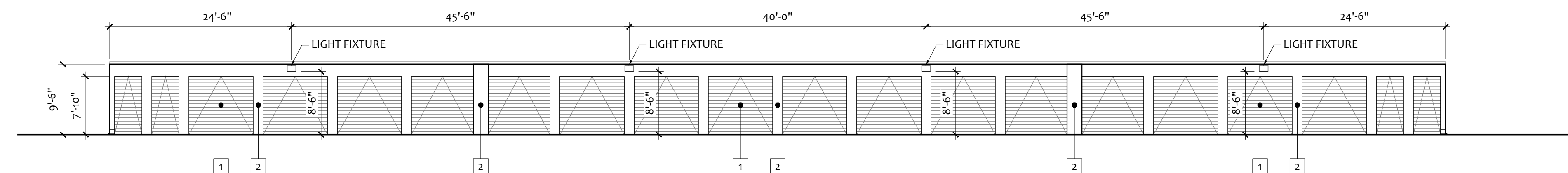
04 BUILDING 10 - WEST ELEVATION
3/32" = 1'-0"



03 BUILDING 10 - EAST ELEVATION
3/32" = 1'-0"



02 KEY PLAN
3/32" = 1'-0"

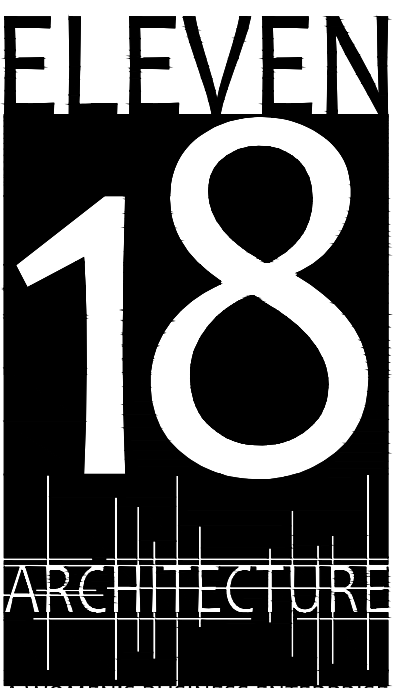


01 BUILDING 10 - SOUTH ELEVATION
3/32" = 1'-0"

CONSULTANT

15 DEC 2015

- Mark Adams, AIA
FL. REG.#AR0094473
- Kim Day McCann, AIA
FL. REG.#AR0091738



License: AA26001884
424 E. Central Blvd. #542
Orlando, FL 32801
www.eleven18architecture.com
Mark Adams: 407-756-2119
Kim Day: 407-416-9960
Neke White: 407-416-9965

© Copyright 2015 ELEVEN18 ARCHITECTURE, P.L.L.C.
All Rights Reserved Worldwide

REVISIONS		
#	DATE	DESC.
--	01 JUN 15	PERMIT SET
--	20 NOV 15	PERMIT SET

PROJECT NAME:

**Rockers
Lockers**

PROJECT CLIENT:
**Rocker Family
Trust**

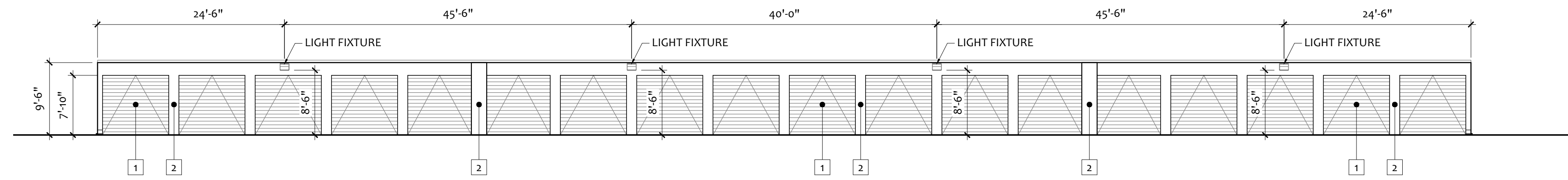
DATE: 15 DEC 2015	DRAWN BY: KM
JOB NUMBER:	CHECKED BY: MA
EXTERIOR ELEVATIONS	A-309

EXTERIOR FINISH LEGEND			
CODE	MATERIAL	MANUFACTURER	DESCRIPTION
			COLOR
1	EXTERIOR PAINT ON MTL. DOOR	SHERWIN WILLIAMS	EVERGREEN
2	EXTERIOR PAINT ON E.I.F.S. / METAL	SHERWIN WILLIAMS	SANDSTONE
3	EXTERIOR PAINT OVER E.I.F.S.	SHERWIN WILLIAMS	BLUE GRAY

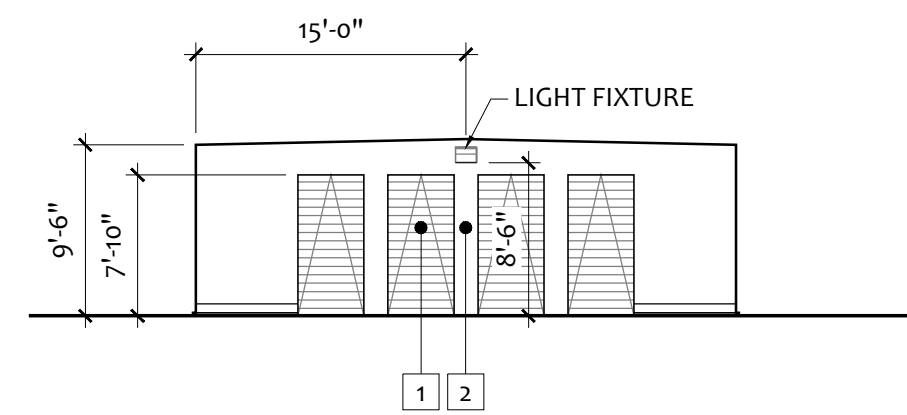
COLORS ARE PER BETCO COLOR PALETTE UNLESS OTHERWISE NOTED

All ideas, designs, arrangements and plans indicated or represented by this drawing are owned by and are the sole property of ELEVEN18 ARCHITECTURE, P.L.L.C. and were created and developed only for use on and in connection with the project specified herein. None of the ideas, designs, arrangements and plans shall be used by or disclosed to any person, firm or corporation for any purpose whatsoever without the express written permission of ELEVEN18 ARCHITECTURE, P.L.L.C.

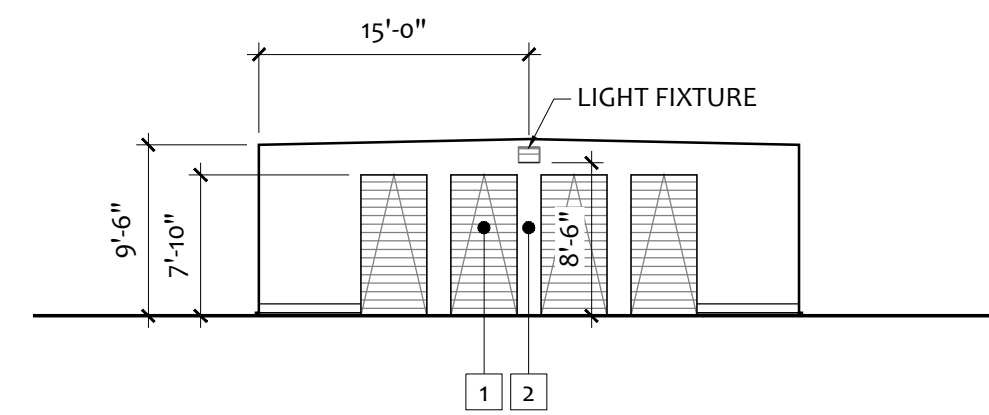
WARNING: Reproduction here-of is a criminal offense under 18U.S.C. SEC 506. Unauthorized disclosure may constitute trade secret misappropriation in violation of 1.C.24-2-41-1 ET. SEQ and other laws. The ideas, arrangements and designs disclosed herein may be patented or be the subject of a pending patent application.



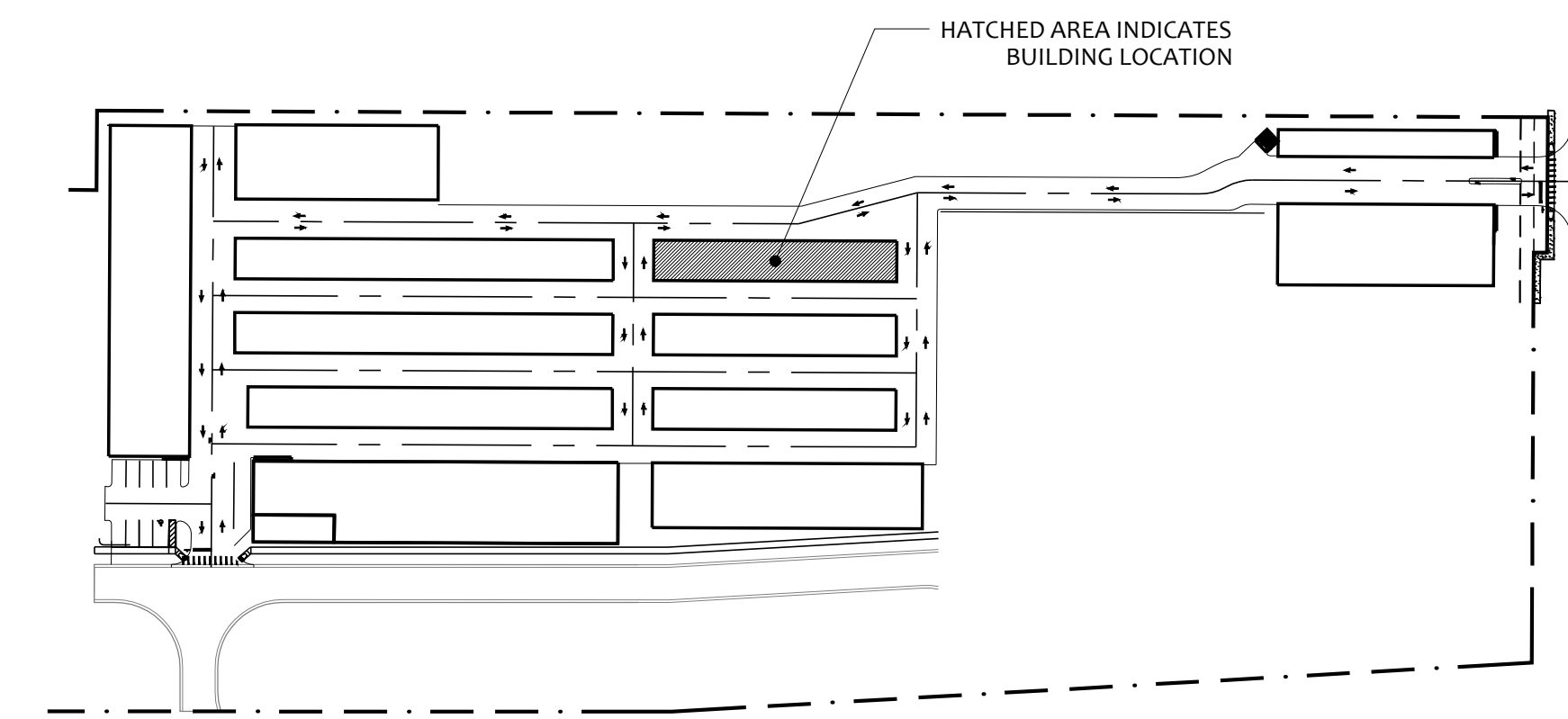
05 BUILDING 11 - NORTH ELEVATION
3/32" = 1'-0"



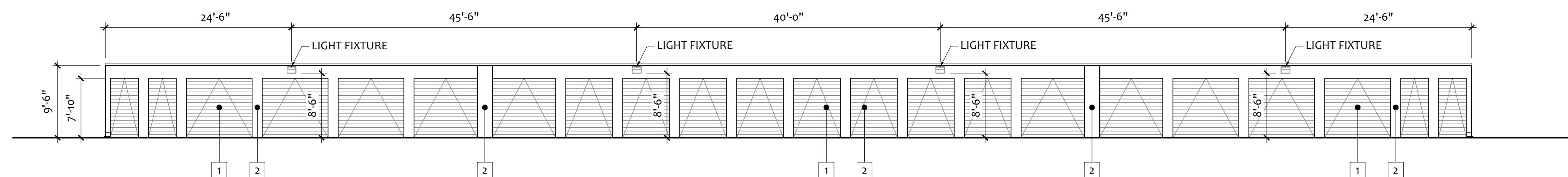
04 BUILDING 11 - WEST ELEVATION
3/32" = 1'-0"



03 BUILDING 11 - EAST ELEVATION
3/32" = 1'-0"



02 KEY PLAN
3/32" = 1'-0"

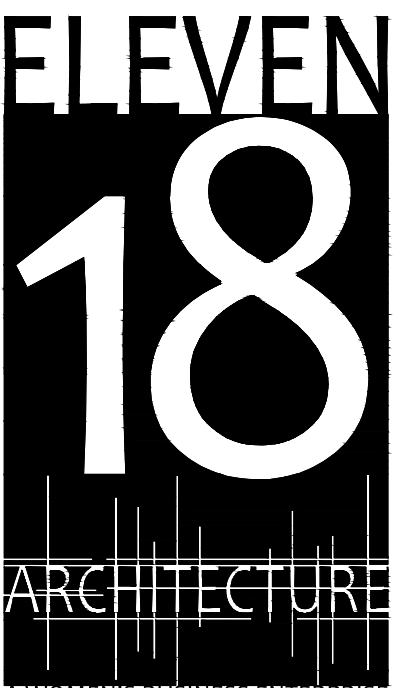


01 BUILDING 11 - SOUTH ELEVATION
3/32" = 1'-0"

CONSULTANT

15 DEC 2015

- Mark Adams, AIA
FL. REG.#AR0094473
- Kim Day McCann, AIA
FL. REG.#AR0091738



A WOMEN'S BUSINESS ENTERPRISE

License: AA26001884

424 E. Central Blvd. #542
Orlando, FL 32801
www.eleven18architecture.com

Mark Adams: 407-756-2119
Kim Day: 407-416-9960
Neke White: 407-416-9965

© Copyright 2015 ELEVEN18 ARCHITECTURE, P.L.L.C.
All Rights Reserved Worldwide

REVISIONS		
#	DATE	DESC.
--	01 JUN 15	PERMIT SET
--	20 NOV 15	PERMIT SET

PROJECT NAME:

Rockers Lockers
PROJECT CLIENT:
Rocker Family Trust

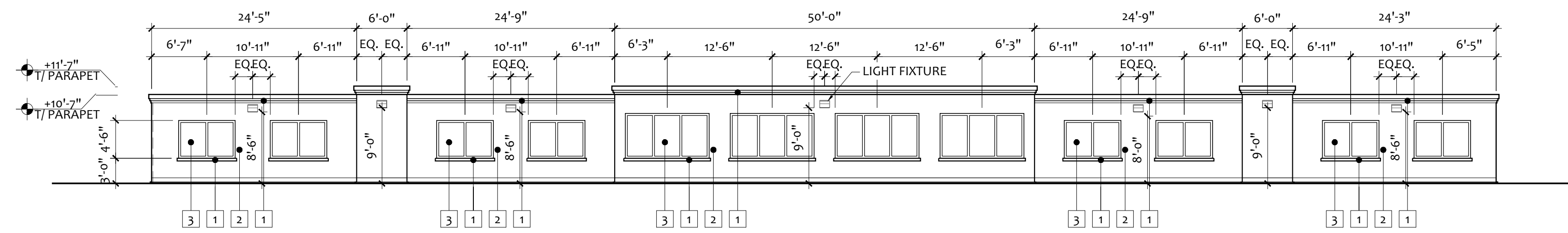
DATE: 15 DEC 2015	DRAWN BY: KM
JOB NUMBER: CHECKED BY: MA	EXTERIOR ELEVATIONS A-310

EXTERIOR FINISH LEGEND			
CODE	MATERIAL	MANUFACTURER	DESCRIPTION
			COLOR
1	EXTERIOR PAINT ON MTL. DOOR	SHERWIN WILLIAMS	EVERGREEN
2	EXTERIOR PAINT ON E.I.F.S. / METAL	SHERWIN WILLIAMS	SANDSTONE
3	EXTERIOR PAINT OVER E.I.F.S.	SHERWIN WILLIAMS	BLUE GRAY

COLORS ARE PER BETCO COLOR PALETTE UNLESS OTHERWISE NOTED

All ideas, designs, arrangements and plans indicated or represented by this drawing are owned by and are the sole property of ELEVEN18 ARCHITECTURE, P.L.L.C. and were created and developed only for use on and in connection with the project specified herein. None of the ideas, designs, arrangements and plans shall be used by or disclosed to any person, firm or corporation for any purpose whatsoever without the express written permission of ELEVEN18 ARCHITECTURE, P.L.L.C.

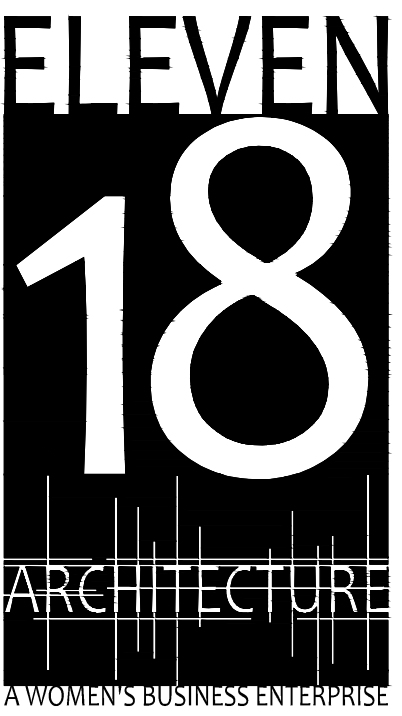
WARNING: Reproduction here-of is a criminal offense under 18U.S.C. SEC 506. Unauthorized disclosure may constitute a trade secret misappropriation in violation of 18U.S.C. 1832 and other laws. The ideas, arrangements and designs disclosed herein may be patented or be the subject of a pending patent application.



05 BUILDING 12 - NORTH ELEVATION
3/32" = 1'-0"

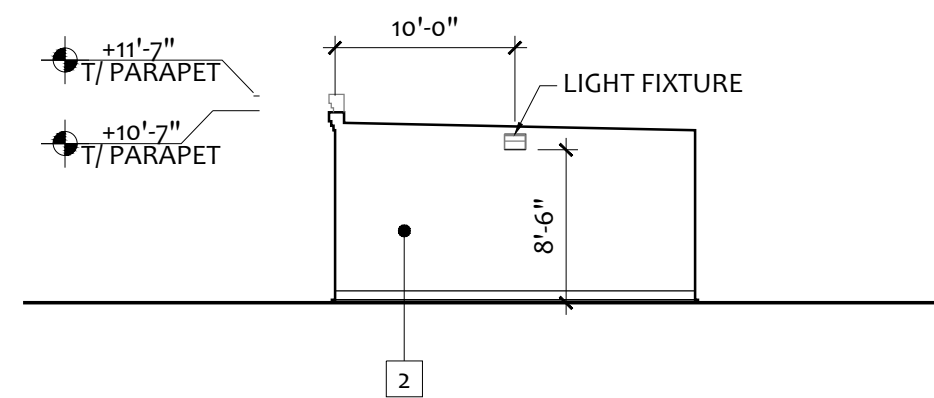
15 DEC 2015

- Mark Adams, AIA
FL. REG.#AR0094473
- Kim Day McCann, AIA
FL. REG.#AR0091738

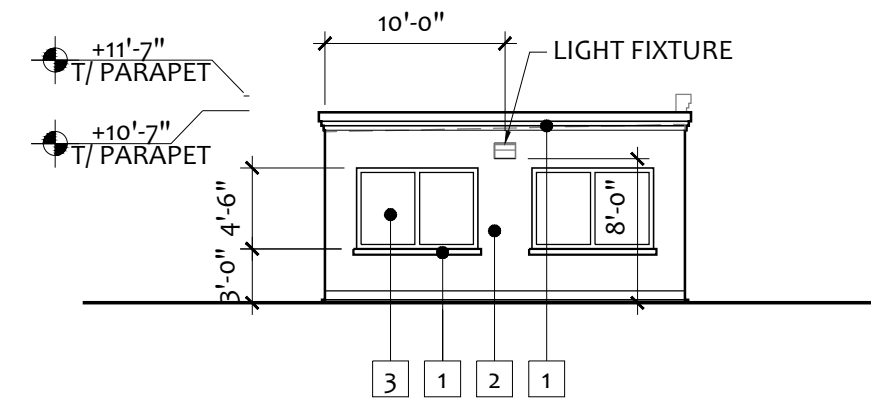


License: AA26001884
424 E. Central Blvd. #542
Orlando, FL 32801
www.eleven18architecture.com
Mark Adams: 407-756-2119
Kim Day: 407-416-9960
Neke White: 407-416-9965

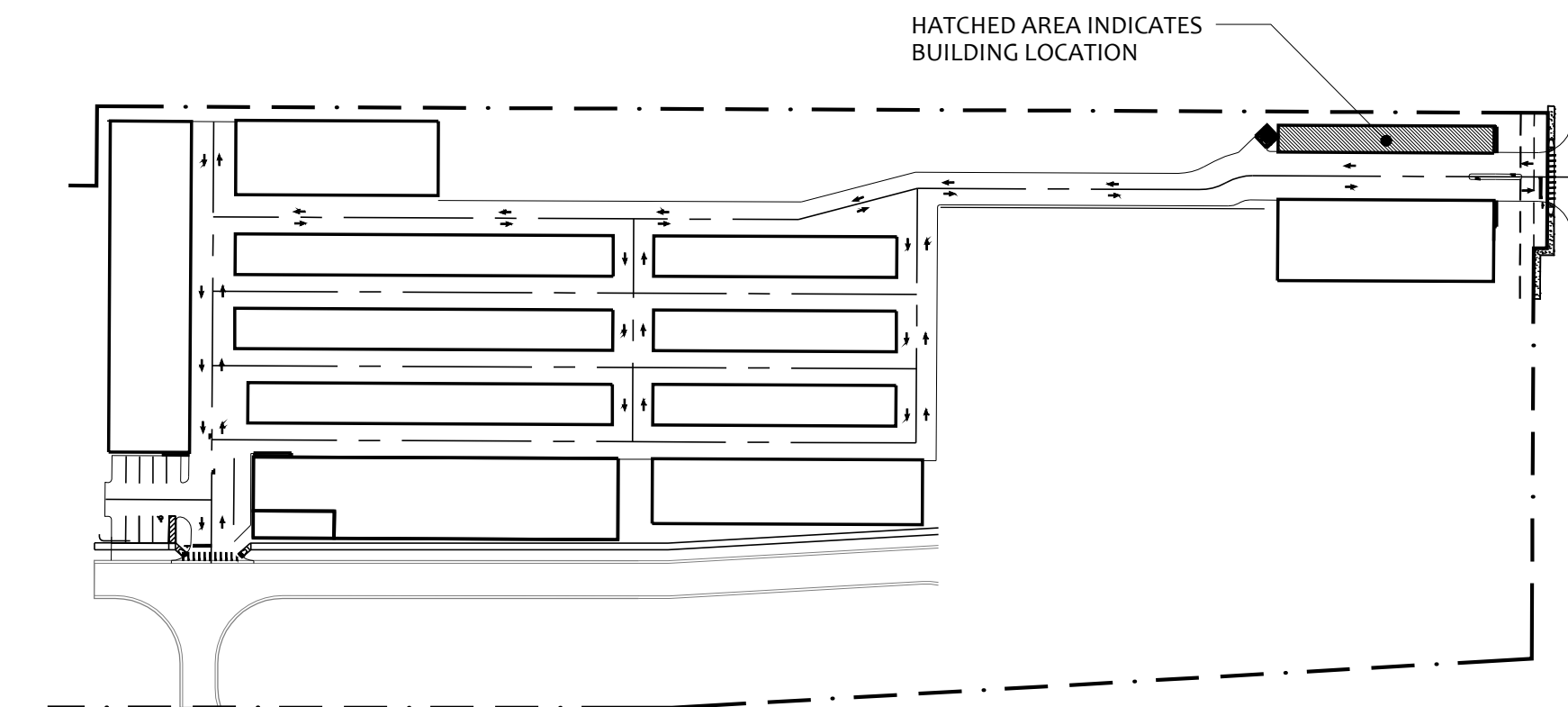
© Copyright 2015 ELEVEN18 ARCHITECTURE, P.L.L.C.
All Rights Reserved Worldwide



04 BUILDING 12 - WEST ELEVATION
3/32" = 1'-0"



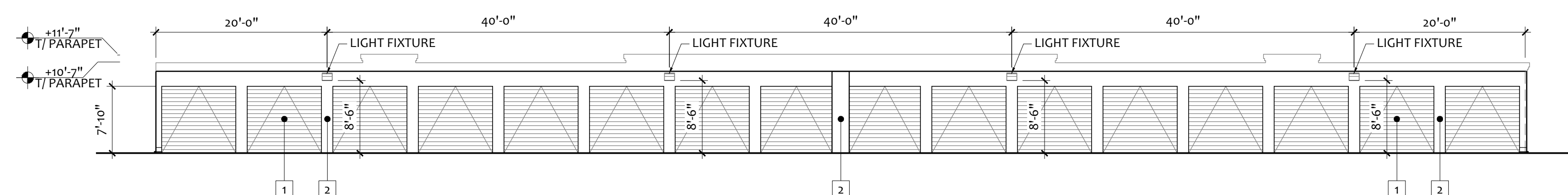
03 BUILDING 12 - EAST ELEVATION
3/32" = 1'-0"



02 KEY PLAN
3/32" = 1'-0"

REVISIONS

#	DATE	DESC.
--	01 JUN 15	PERMIT SET
--	20 NOV 15	PERMIT SET



01 BUILDING 12 - SOUTH ELEVATION
3/32" = 1'-0"

PROJECT NAME:

**Rockers
Lockers**

PROJECT CLIENT:
**Rocker Family
Trust**

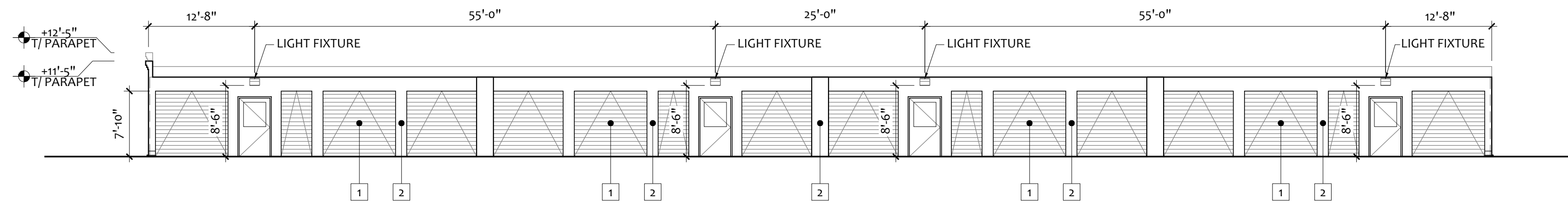
DATE: 15 DEC 2015	DRAWN BY: KM
JOB NUMBER: MA	CHECKED BY: MA
EXTERIOR ELEVATIONS	A-311

EXTERIOR FINISH LEGEND			
CODE	MATERIAL	MANUFACTURER	DESCRIPTION
			COLOR
1	EXTERIOR PAINT ON MTL. DOOR	SHERWIN WILLIAMS	EVERGREEN
2	EXTERIOR PAINT ON E.I.F.S. / METAL	SHERWIN WILLIAMS	SANDSTONE
3	EXTERIOR PAINT OVER E.I.F.S.	SHERWIN WILLIAMS	BLUE GRAY

COLORS ARE PER BETCO COLOR PALETTE UNLESS OTHERWISE NOTED

All ideas, designs, arrangements and plans indicated or represented by this drawing are owned by and are the sole property of ELEVEN18 ARCHITECTURE, P.A. and were created and developed only for use on and in connection with the project specified herein. None of the ideas, designs, arrangements and plans shall be used by or disclosed to any person, firm or corporation for any purpose whatsoever without the express written permission of ELEVEN18 ARCHITECTURE, P.L.L.C.

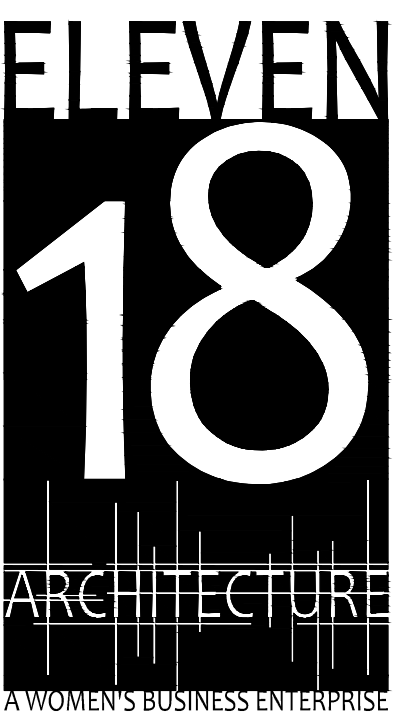
WARNING: Reproduction here-of is a criminal offense under 18U.S.C. SEC 506. Unauthorized disclosure may constitute trade secret misappropriation in violation of 18C.F.R. 1.24-2.41-1 ET. SEQ and other laws. The ideas, arrangements and designs disclosed herein may be patented or be the subject of a pending patent application.



05 BUILDING 13 - NORTH ELEVATION
3/32" = 1'-0"

15 DEC 2015

Mark Adams, AIA
 FL. REG.#AR0094473
 Kim Day McCann, AIA
 FL. REG.#AR0091738



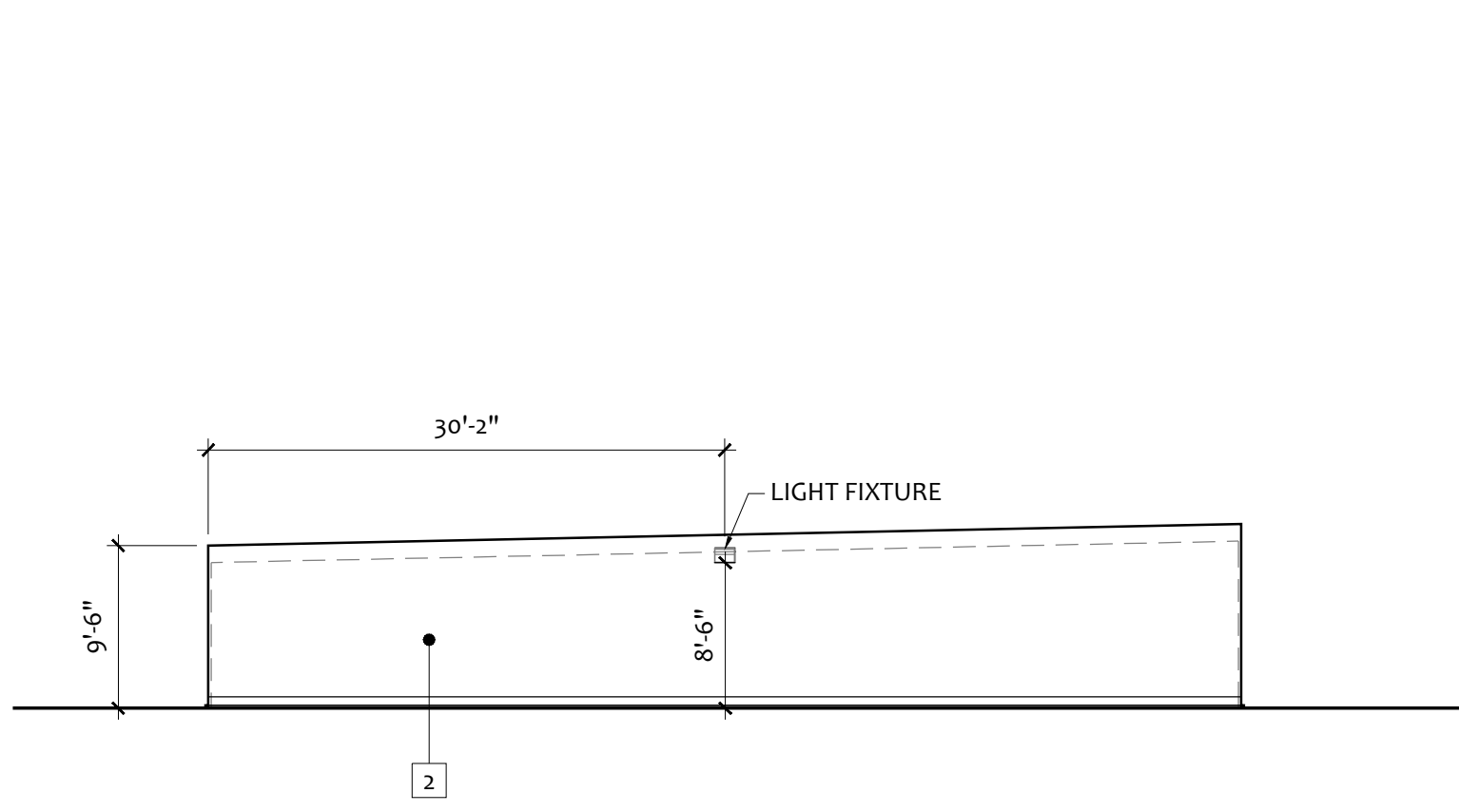
License: AA26001884
 424 E. Central Blvd. #542
 Orlando, FL 32801
 www.eleven18architecture.com
 Mark Adams: 407-756-2119
 Kim Day: 407-416-9960
 Neke White: 407-416-9965

© Copyright 2015 ELEVEN18 ARCHITECTURE, P.L.L.C.
 All Rights Reserved Worldwide

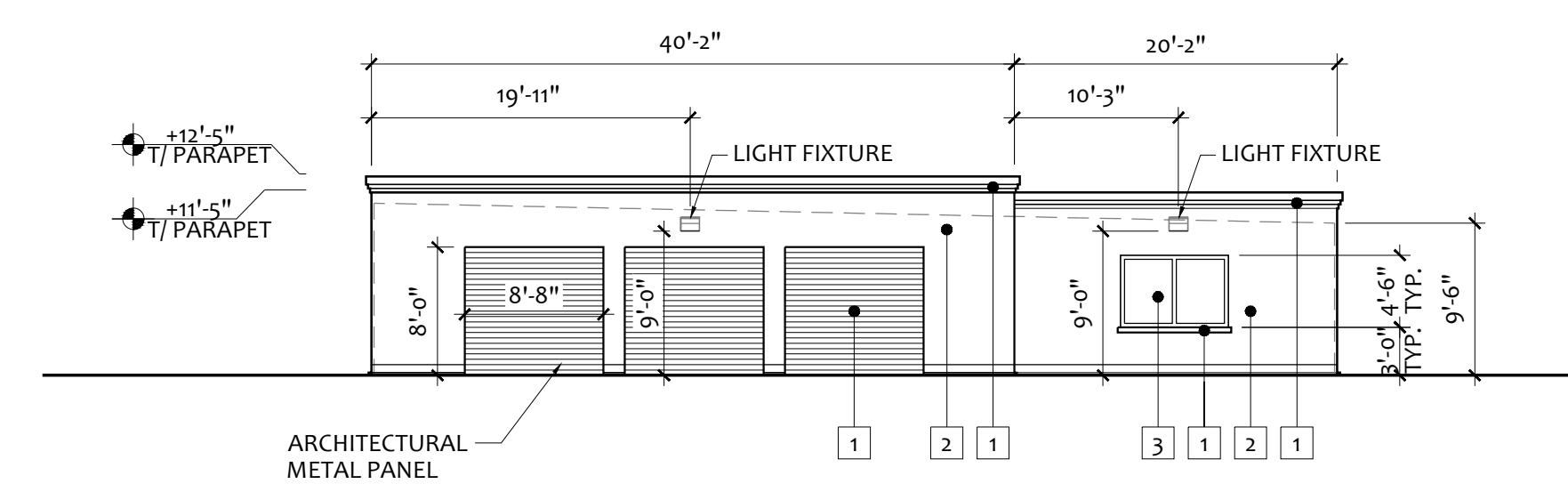
REVISIONS		
#	DATE	DESC.
--	01 JUN 15	PERMIT SET
--	20 NOV 15	PERMIT SET

PROJECT NAME:
Rockers Lockers
 PROJECT CLIENT:
Rocker Family Trust

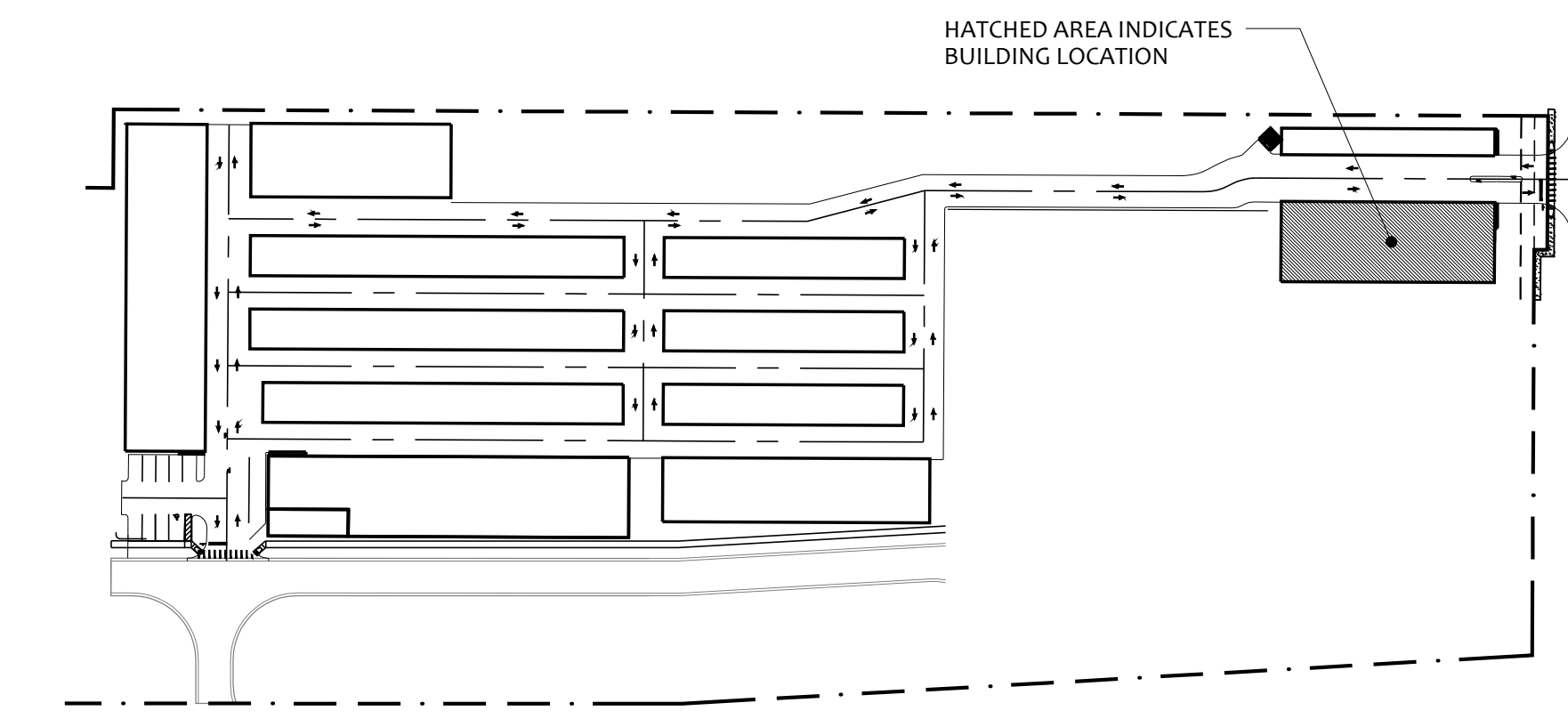
DATE: 15 DEC 2015	DRAWN BY: KM
JOB NUMBER: EXTERIOR ELEVATIONS	CHECKED BY: MA
	A-312



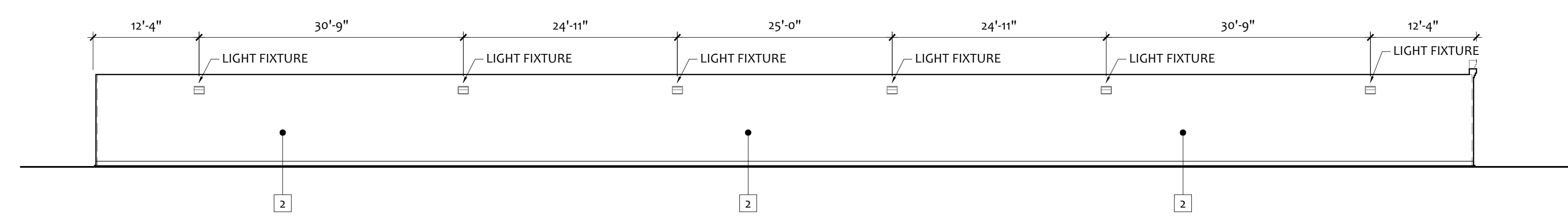
04 BUILDING 13 - WEST ELEVATION
3/32" = 1'-0"



03 BUILDING 13 - EAST ELEVATION
3/32" = 1'-0"



02 KEY PLAN
3/32" = 1'-0"



01 BUILDING 13 - SOUTH ELEVATION
3/32" = 1'-0"